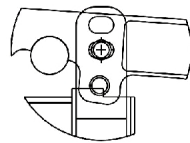
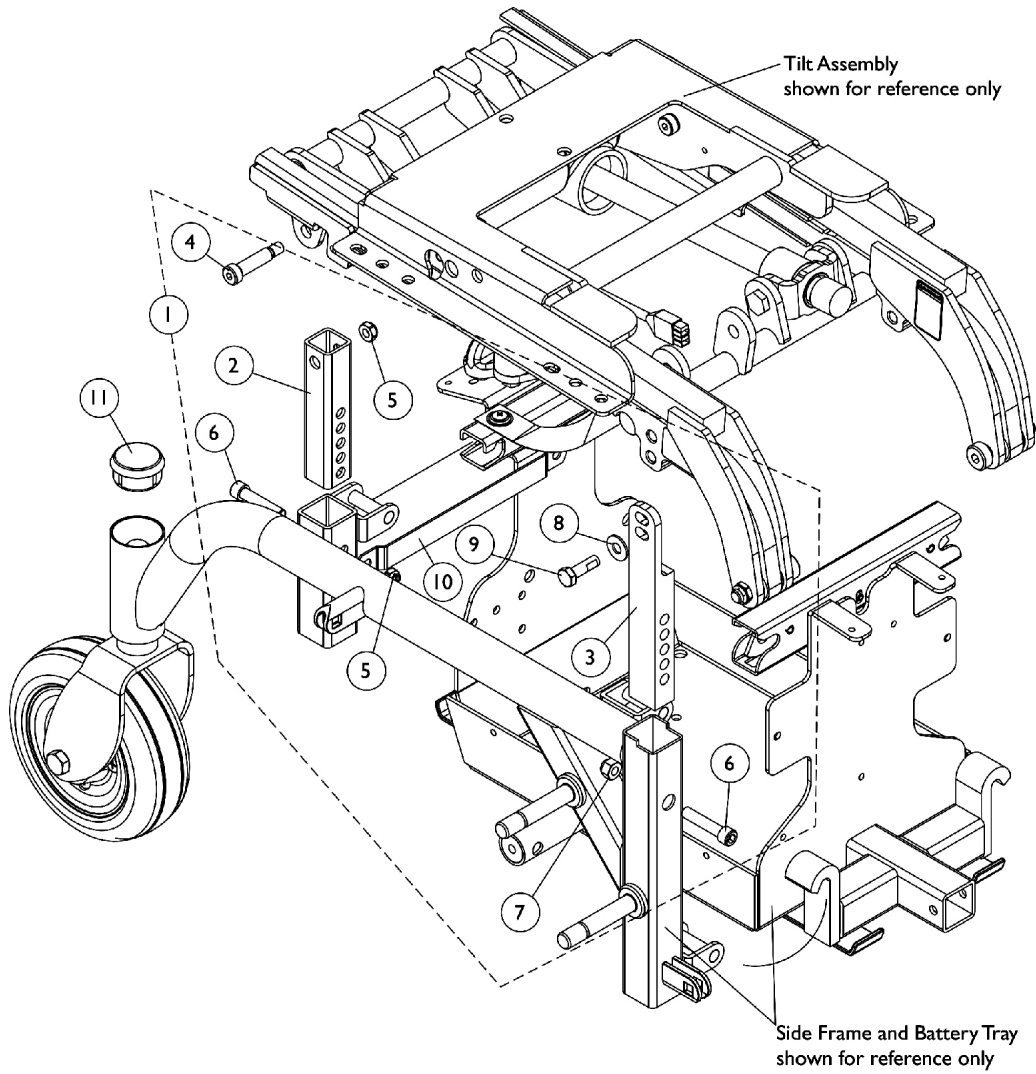
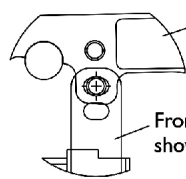


Tilt Assembly Mounting Hardware For M71



0-55 Degree Tilt Setting



5-60 Degree Tilt Setting

Seat Tilt Settings

Tilt Assembly Mounting Hardware For M71

Item Number	Note	Part Number	Description	Quantity Per	
				Package	Assembly
1	A	1128390-NLA	Kit, Tilt Assembly Mounting Hardware For M71	2	1
2			NLA - Tube, Slide, Seat Height Adjustment, Rear	1	2
3			NLA - Tube, Slide, Seat Height Adjustment, Front	1	2
4			NLA - Screw, Shoulder Hex Socket Head (3/8 x 1-1/4", 5/16-18)	1	2
5			Locknut (5/16-18)	1	4
6			Screw, Socket Head (5/16-18 x 1-1/2")	1	4
7			Locknut (5/16-18)	1	2
8			Washer, Steel (5/16 x 3/4 x 1/16")	1	2
9			NLA - Screw, Hex Head w/ Patch (5/16-18 x 1")	1	2
10			NLA - Bracket, Retaining, Black	1	1
11		1105026	Plug Button, Head Tube, Black	1	2
NOTE: A - Includes items 2-10. Item 10 Retaining Bracket was added 3/18/05 and is backward compatible for chairs manufactured before 3/18/05 as well.					