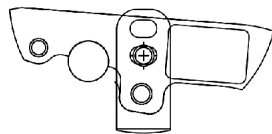
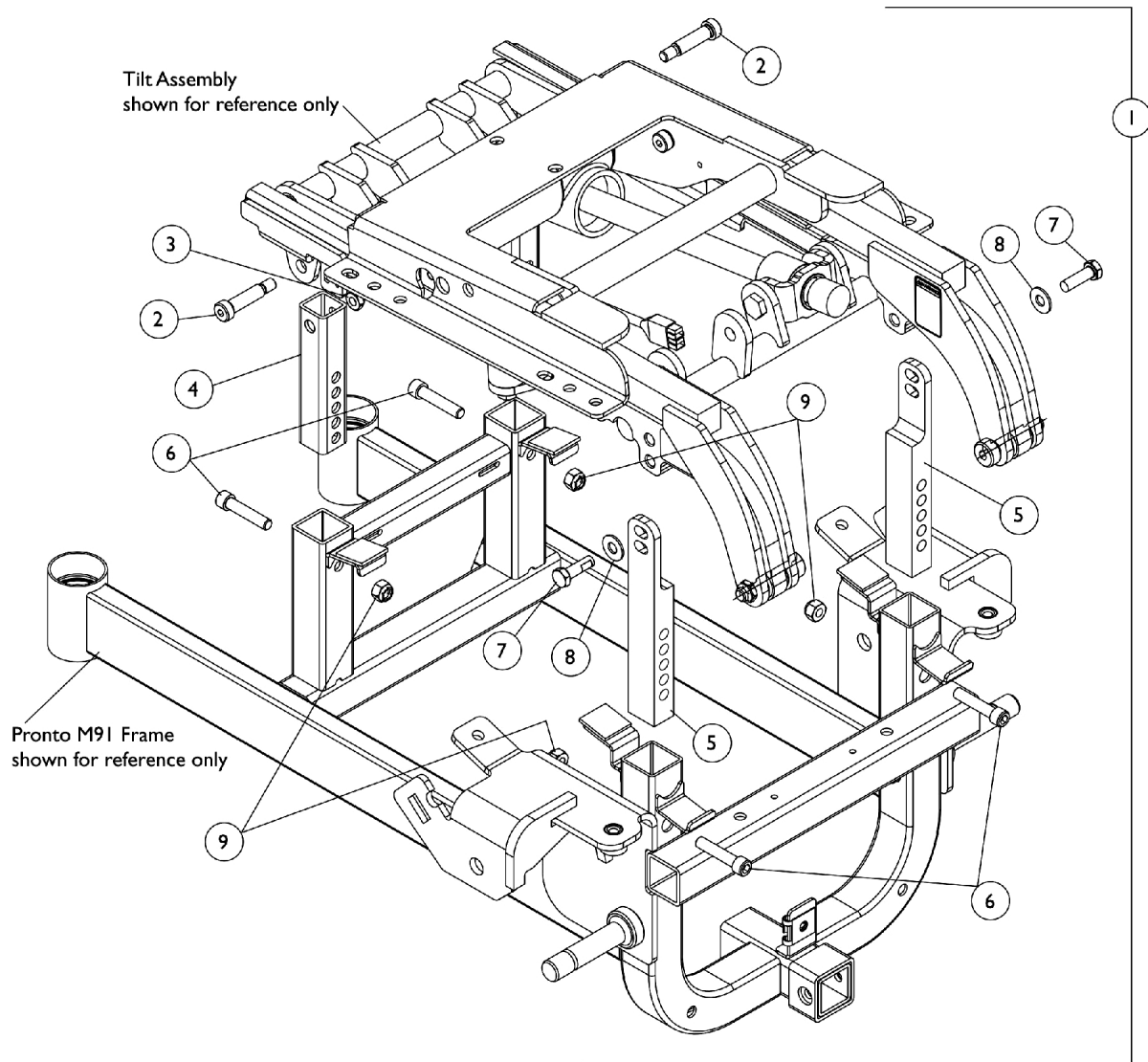
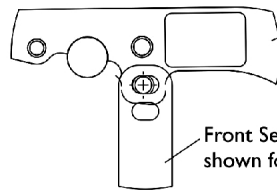


# Tilt Assembly Mounting Hardware For M91



**0-55 Degree Tilt Setting**



**5-60 Degree Tilt Setting**

Partial view of Tilt Assembly shown for reference only

Front Seat Height Adjustment Slide Tube shown for reference only

## Seat Tilt Settings

## Tilt Assembly Mounting Hardware For M91

Item Number	Note	Part Number	Description	Quantity Per	
				Package	Assembly
1	A	1126351-NLA	NLA - Kit, Tilt Assembly Mounting Hardware For M91	1	1
2			NLA - Screw, Shoulder Hex Socket Head (3/8 x 1-1/4", 5/16-18)	1	2
3			Locknut (5/16-18)	1	2
4			NLA - Tube, Slide, Seat Height Adjustment, Rear	1	2
5			NLA - Tube, Slide, Seat Height Adjustment, Front	1	2
6			Screw, Socket Head (5/16-18 x 1-1/2")	1	4
7			NLA - Screw, Hex Head w/ Patch (5/16-18 x 1")	1	2
8			Washer, Steel (5/16 x 3/4 x 1/16")	1	2
9			Locknut (5/16-18)	1	4

NOTE: A - Includes items 2-9