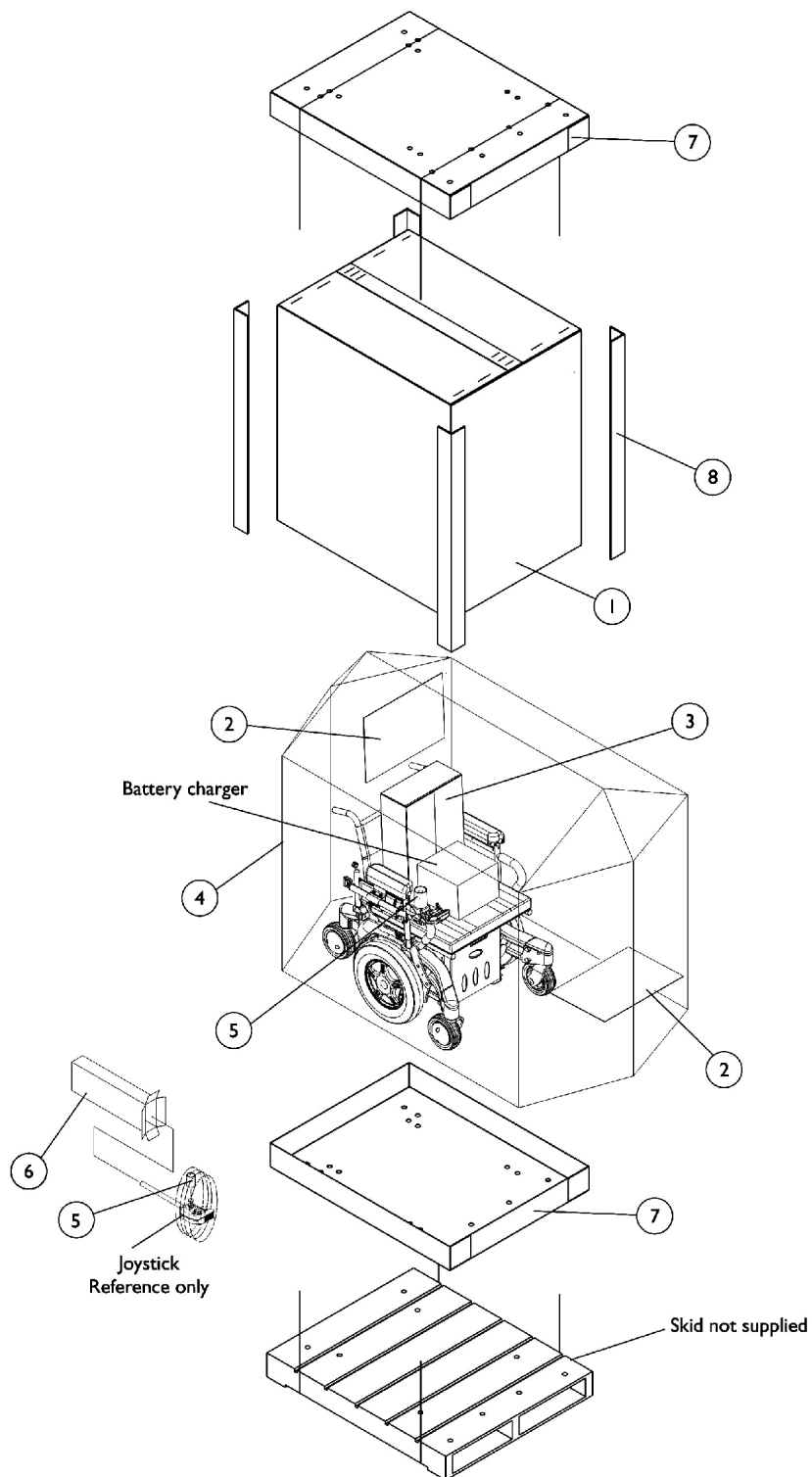


# Packaging and Literature



## Packaging and Literature

Item Number	Note	Part Number	Description	Quantity Per	
				Package	Assembly
1		1036028	Carton, Cover	1	1
2		40131X161	Insert, Plain Pad	1	2
3		40131X011-NLA	NLA - Carton, Front Riggings	1	1
4		1015592	Bag, Poly (72" L x 35" W x 19" D)	1	1
5		1043198-NLA	NLA - Tube, Paper	1	1
6	C	1012001-NLA	NLA - Carton, Joystick	1	1
7		1036027	Carton, Tray	1	2
8		1129590-NLA	Carton, Corner Reinforcement	1	4
	A	00077X031-NLA	NLA - Warranty Card	1	1
	A	1114809-NLA	NLA - Owner's Manual, TDX w/ MK5 Electronics	1	1
	A,B	1122170-NLA	NLA - Owner's Manual, Formula TRE w/ MK6i Electronics	1	1

NOTE: A - Not Shown  
 B - Item is no longer available from the Invacare Service Parts Department. Refer to the Invacare Website under "Product Literature Search". Enter the part number in the "Keywords" field and download a free PDF version copy.  
 C - Order part #40131X011 to use as a replacement Joystick Carton also.

When adjusting or replacing parts, please refer to your Owner's Manual for assistance.