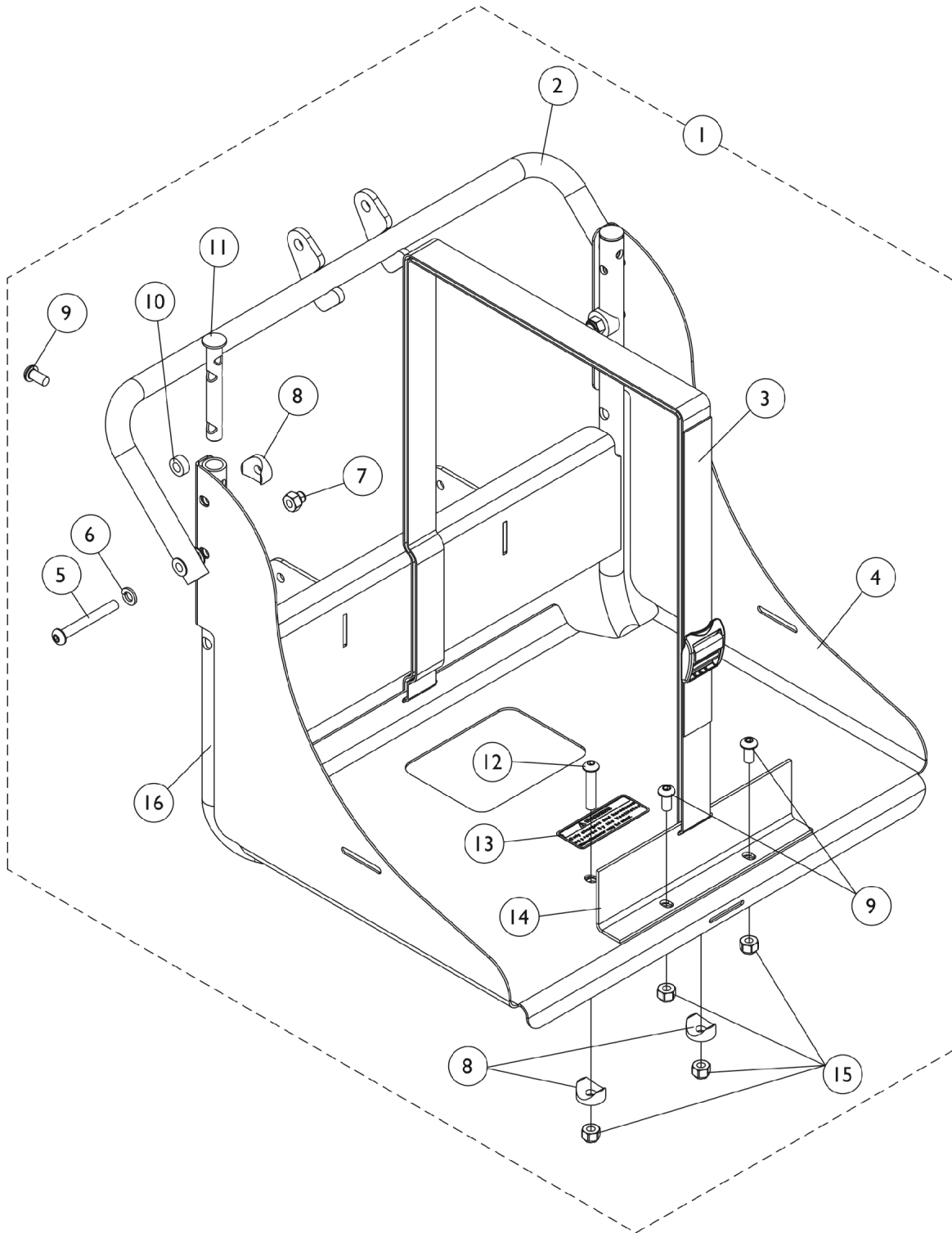


Vent Tray Assembly without Mounting Hardware

NOTE: When adding a Vent Tray Assembly in the field for the first time, refer to page titled "Accessories, Vent Tray Kits"



Vent Tray Assembly without Mounting Hardware

NOTE: When adding a Vent Tray Assembly in the field for the first time, refer to page titled "Accessories, Vent Tray Kits"

Item Number	Note	Part Number	Description	Quantity Per	
				Package	Assembly
1	A	1125708	Vent Tray Assembly	1	1
2			NLA - Vent Tray Hanger Assembly	1	1
3			NLA - Strap and Buckle Assembly	1	1
4			NLA - Tray, Vent	1	1
5			NLA - Screw, Socket Button Head (1/4-20 x 2")	1	2
6			Lockwasher, Split (1/4")	1	2
7			Nut, Hex with Nylon Cap (1/4-20)	1	2
8			Spacer, Coved (1/4 x 3/4 x 11/32")	1	4
9			NLA - Screw, Socket Button Head (1/4-20 x 1/2")	1	4
10			NLA - Spacer	1	2
11			NLA - Plug, Slide Tube	1	2
12			Screw, Socket Button Head (1/4-20 x 1-1/4")	1	2
13			NLA - Decal, Warning, Approved Charger and Harness	1	1
14			NLA - Bracket, Vent Tray, Black	1	1
15			Locknut (1/4-20)	1	4
16			NLA - Frame, Vent Tray, Upper Support, Black	1	1

NOTE: A - Includes items 2-16. When adding a Vent Tray Assembly in the field for the first time, refer to page titled "Accessories, Vent Tray Kits"