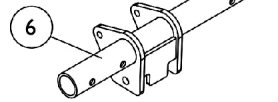


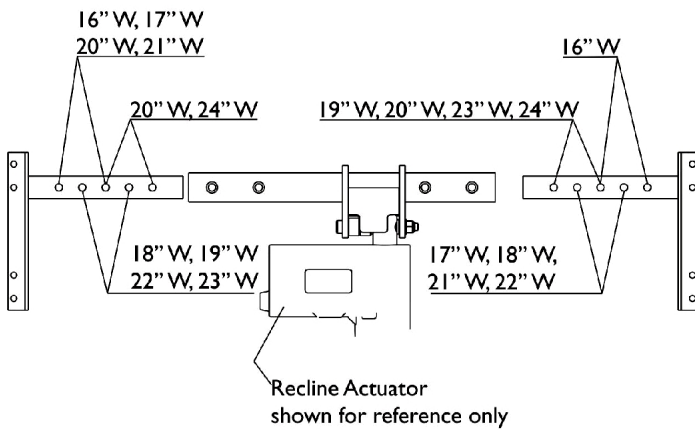
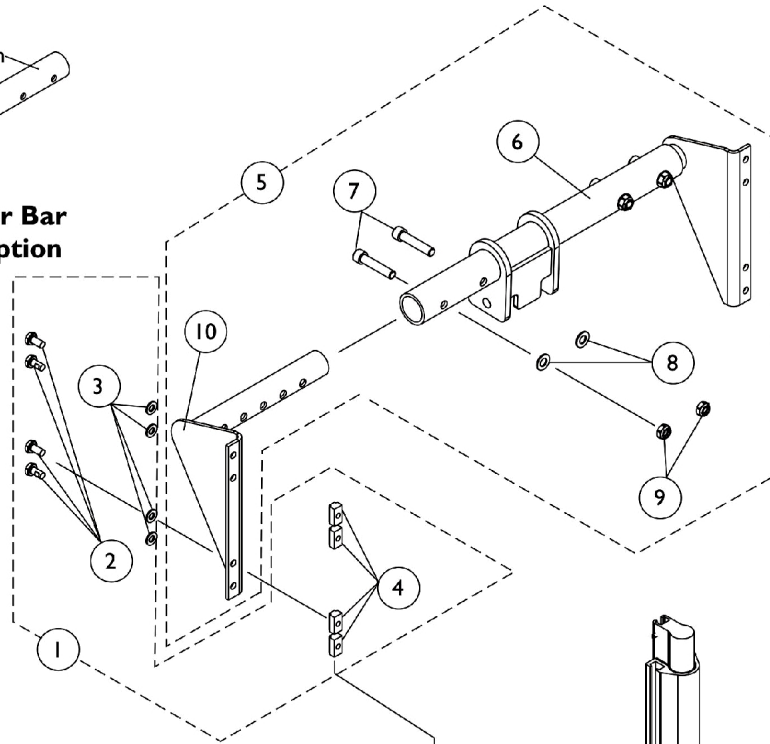
# Spreader Bar Assembly

## Conventional Recline and Tilt/Recline

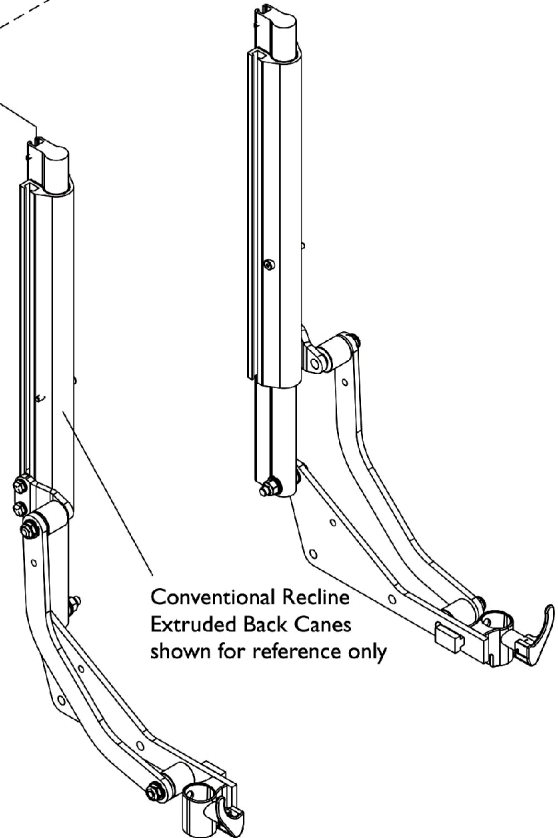
16"-20" Center Spreader Bar shown



**Center Spreader Bar  
For Vent Tray Option**



**Spreader Bar Mounting Hole Locations**



## Spreader Bar Assembly Conventional Recline and Tilt/Recline

Item Number	Note	Part Number	Description	Quantity Per	
				Package	Assembly
1	A	1125765	Kit, Spreader Bar Mounting Hardware For Extruded Back Canes	1	1
2			Screw, Hex Head w/ Patch (1/4-20 x 1/2")	1	8
3			Washer (1/4 x 1/2 x 1/16")	1	8
4			T-Nut (1/4-20)	1	8
5	B	1125766-NLA	NLA - Kit, Spreader Bar Assembly For Conventional Recline, T/R, 16"-20" Wide w/o Vent	1	1
6			NLA - Center Spreader Bar Assembly w/o Vent (16 - 20" W)	1	1
7			Screw, Socket Head (5/16-18 x 1-1/2")	1	4
8			Washer, Flat (5/16 x 5/8 x 1/16")	1	4
9			Locknut (5/16-18)	1	4
10			NLA - Bracket, Straight Outer Spreader Bar - Right For 16"-20" Wide	1	1
10			NLA - Bracket, Straight Outer Spreader Bar, Black - Left (16-20" W)	1	1
5	B	1125767-NLA	Kit, Spreader Bar Assembly For Conventional Recline, T/R, 16"-20" Wide w/ Vent	1	1
6			NLA - Center Spreader Bar Assembly w/ Vent (16 - 20" W)	1	1
7			Screw, Socket Head (5/16-18 x 1-1/2")	1	4
8			Washer, Flat (5/16 x 5/8 x 1/16")	1	4
9			Locknut (5/16-18)	1	4
10			NLA - Bracket, Straight Outer Spreader Bar - Right For 16"-20" Wide	1	1
10			NLA - Bracket, Straight Outer Spreader Bar, Black - Left (16-20" W)	1	1
5	B	1125768	NLA - Kit, Spreader Bar Assembly For Conventional Recline, T/R, 20"-24" Wide w/o Vent	1	1
6			NLA - Center Spreader Bar Assembly w/o Vent (20 - 24" W)	1	1
7			Screw, Socket Head (5/16-18 x 1-1/2")	1	4
8			Washer, Flat (5/16 x 5/8 x 1/16")	1	4
9			Locknut (5/16-18)	1	4
10			NLA - Bracket, Straight Outer Spreader Bar, Black - Right (20-24" W)	1	1
10			NLA - Bracket, Straight Outer Spreader Bar, Black - Left (20-24" W)	1	1
5	B	1125769-NLA	Kit, Spreader Bar Assembly For Conventional Recline, T/R, 20"-24" Wide w/ Vent	1	1
6			NLA - Center Spreader Bar Assembly w/ Vent (20 - 24" W)	1	1
7			Screw, Socket Head (5/16-18 x 1-1/2")	1	4
8			Washer, Flat (5/16 x 5/8 x 1/16")	1	4
9			Locknut (5/16-18)	1	4

# Spreader Bar Assembly

## Conventional Recline and Tilt/Recline

Item Number	Note	Part Number	Description	Quantity Per	
				Package	Assembly
10			NLA - Bracket, Straight Outer Spreader Bar, Black - Right (20-24" W)	1	1
10			NLA - Bracket, Straight Outer Spreader Bar, Black - Left (20-24" W)	1	1
NOTE: A - Includes items 2-4 B - Includes items 6-10					