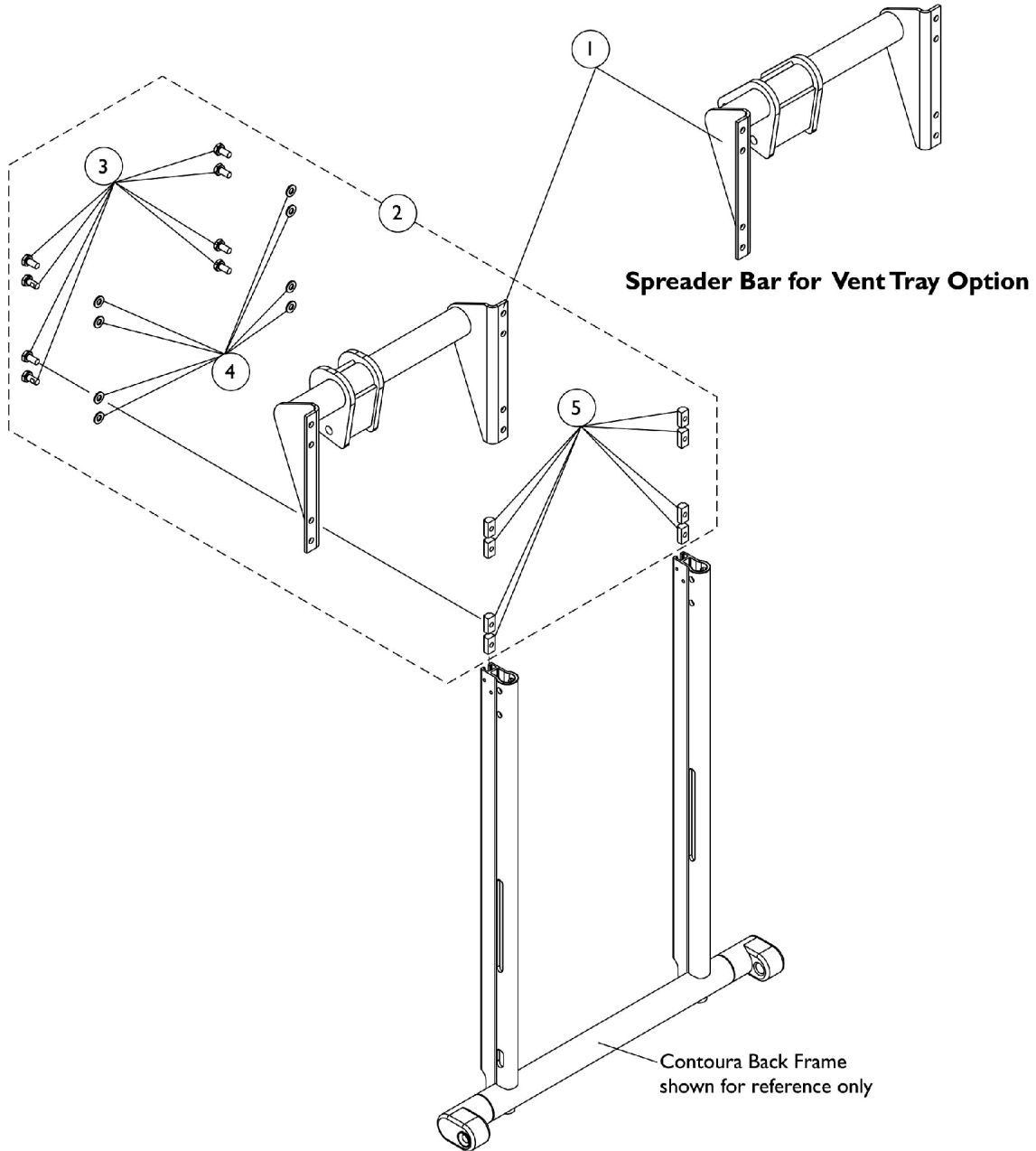


Spreader Bar Assembly

Contoura Tilt, Recline and Tilt/Recline



Spreader Bar Assembly Contoura Tilt, Recline and Tilt/Recline

Item Number	Note	Part Number	Description	Quantity Per	
				Package	Assembly
1		1122469-NLA	NLA - Spreader Bar Assembly, Contoura w/o Vent	1	1
1		1125788-NLA	NLA - Spreader Bar Assembly, Contoura w/ Vent	1	1
2	A	1125765	Kit, Spreader Bar Mounting Hardware For Extruded Back Canes	1	1
3			Screw, Hex Head w/ Patch (1/4-20 x 1/2")	1	8
4			Washer (1/4 x 1/2 x 1/16")	1	8
5			T-Nut (1/4-20)	1	8
NOTE: A - Includes items 3-5					