

**Küschall® Advance™
Manual Wheelchair**



Yes, you can.

Parts Catalog Usage Guide

The information contained in this document is subject to change without notice. This catalog contains service parts for Form No. 16-251. If you have any questions regarding this catalog, please contact one of our Customer Service Representatives.

**For Customer Service Support Call:
844-MY KUSCH (695-8724)**

**For Faxed In Orders Call:
866-577-3507**

**For Technical Service Call:
800-832-4707**

**Literature Can Be Found at:
www.invacare.com**

SYMBOL DEFINITION

Throughout this catalog you will notice letters to draw your attention to specific footnotes which are located at the bottom of the page or below specified charts.

Examples:

A,B,C etc. = Special Comments
NOTE: = General information pertaining to that specific page
NLA = No Longer Available

HARDWARE MEASUREMENTS

The measurements for the hardware will be listed as follows:

Screws, Bolts Diameter X Thread Count/Pitch X Length
Washers Inside Diameter X Outside Diameter X Thickness
Spacers Inside Diameter X Outside Diameter X Length

For your convenience, we have supplied an area for you to list your Invacare Representatives.

Name	Phone Numbers

© 2022 Invacare Corporation. All rights reserved. Republication, duplication or modification in whole or in part is prohibited without prior written permission from Invacare. Trademarks are identified by ™ and ®. All trademarks are owned by or licensed to Invacare Corporation or its subsidiaries unless otherwise noted.

TABLE of CONTENTS

Description	Page Number
Abbreviations - Wheelchair Dimensions	5
Appearance - Frame Colors and Color Power Set (CPS)	6
Backrest - Adjustable Bands	40
Backrest - Light Cover	36
Backrest - Matrix Back	34
Backrest - Premium Cover	39
Backrest - Rear Set Adjustable Height Push Handles	42
Backrest - Standard	31
Chassis - Axle Holder	26
Chassis - Axle Tube - Aluminum	19
Chassis - Axle Tube - Carbon	21
Chassis - Frame - Standard - 75 degree	7
Chassis - Frame - Standard - 90 degree	13
Chassis - Frame - Adducted - 75 degree	9
Chassis - Frame - Adducted - 90 degree	15
Chassis - Frame - Quick Release - 75 degree	11
Chassis - Frame - Quick Release - 90 degree	17
Chassis - Vario Axle	23
Chassis - Vertical Brace	25
Footrest - Adducted Frame	49
Footrest - Adducted Frame - High Mounted	51

TABLE of CONTENTS

Description	Page Number
Footrest - Adjustable Angle - Adducted Frame	63
Footrest - Adjustable Angle - Adducted High Mounted	65
Footrest - Adjustable Angle - Standard Frame	59
Footrest - Adjustable Angle - Standard High Mounted	61
Footrest - Calf Straps	71
Footrest - Flip Up - Adducted Frame	69
Footrest - Flip Up - Standard Frame	67
Footrest - Quick Release Frame - Standard	53
Footrest - Quick Release Frame - Standard High Mounted	56
Footrest - Standard Frame	44
Footrest - Standard Frame - High Mounted	46
Front Wheels - Casters	90
Front Wheels - Forks - Standard	88
Options and Accessories - Active Anti-Tipper	128
Options and Accessories - Anti-Tipper	126
Options and Accessories - Chair Accessories	133
Options and Accessories - Luggage Holder	132
Options and Accessories - Seat Bag	125
Options and Accessories - Transit Wheels	130
Rear Wheels - 22" Wheels	93
Rear Wheels - 24" - 25" Wheels - High Performance	98

TABLE of CONTENTS

Description	Page Number
Rear Wheels - 24" Wheels	95
Rear Wheels - Handrim Hardware	111
Rear Wheels - Handrims	108
Rear Wheels - Handrims - Carbolife	110
Rear Wheels - Hub Brake Wheel	106
Rear Wheels - Inner Tube and Rim Protection	115
Rear Wheels - Mountain Bike Wheel - 24" Wheels	102
Rear Wheels - Quick Release Axles and Bearings	121
Rear Wheels - Spinergy LXX - 24" and 25" Wheels	104
Rear Wheels - Spoke Guards	117
Rear Wheels - Spoke Guards - Transparent	119
Rear Wheels - Tires	113
Rear Wheels - Wheel Locks	123
Seating - Seat Module	27
Seating - Standard Seat Cushion	30
Siderests - Adjustable Arm	84
Siderests - Clothes Guard Sizing	74
Siderests - Clothes Guards	72
Siderests - Mudguards	78
Siderests - Mudguards Sizing	80
Siderests - Tubular Arm	86

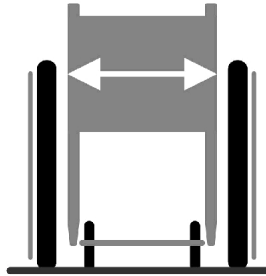
Abbreviations - Wheelchair Dimensions

Dimension Key:

XX = Dimensions in CM

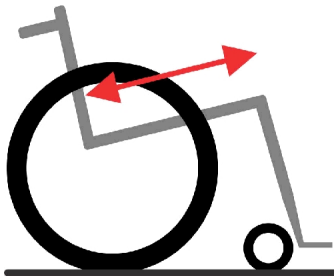
XXX = Dimensions in MM

XX,A = Metric Decimal

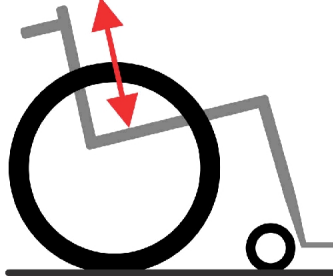


SB (SEAT WIDTH)

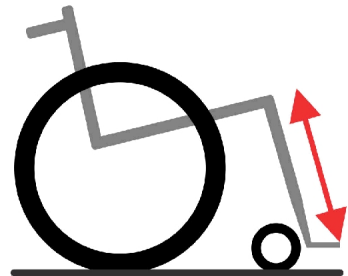
ST (SEAT DEPTH)



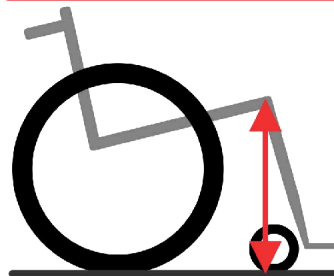
RH (BACK HEIGHT)



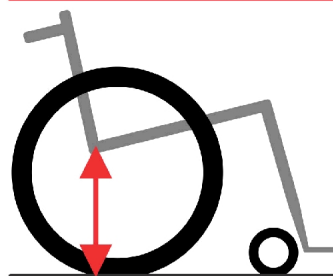
UL (KNEE TO HEEL DEPTH)



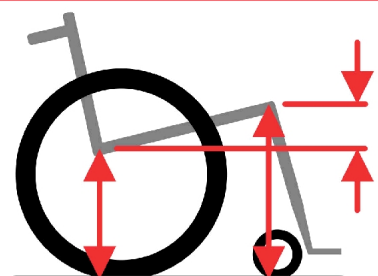
SHv (FRONT SEAT TO FLOOR)



SHh (REAR SEAT TO FLOOR)



SHD (FRONT TO REAR DIFFERENCE)



SCM_290A

Appearance - Frame Colors and Color Power Set (CPS)

Frame Color Code

Color Power Set (CPS) Code

Applies To The Following Parts And Options

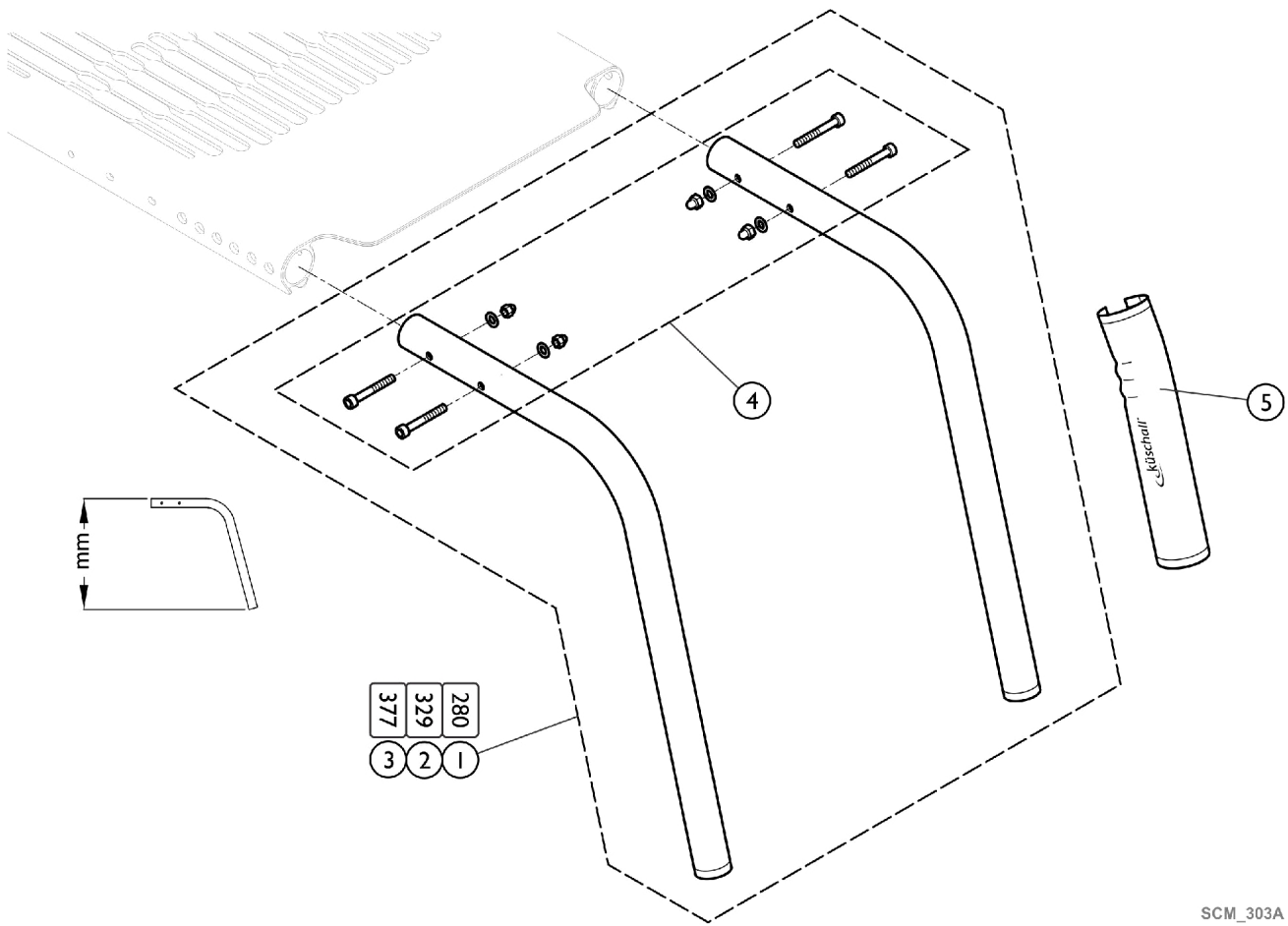
- Starec and High Performance Rear Wheel Hubs w/ Quick Release Protection.
- 24" Starec Rear Wheel Rims (Except Chrome).
- Starec Front Wheels.
- Backrest Adjustment Plates.
- Forks.

ADVANCE COLORS

Appearance - Frame Colors and Color Power Set (CPS)

Frame Color Code Number	Frame Color	Color Power Set (CPS) Code Number	Color Power Set (CPS) Color
-0184	Mercury Blue	-0001	Chrome
-0185	Dynamite Orange	-0182	Champagne
-0410	Polished	-0400	Techo-Anthracite
-0411	Black Matte	-0440	Comet Red
-0445	Ivory White	-0441	Arctic Blue
-0451	Flashy Yellow	N/A	N/A
-3524	Royal Red	N/A	N/A
-5969	Royal Blue	N/A	N/A

Frame - Standard - 75 degree



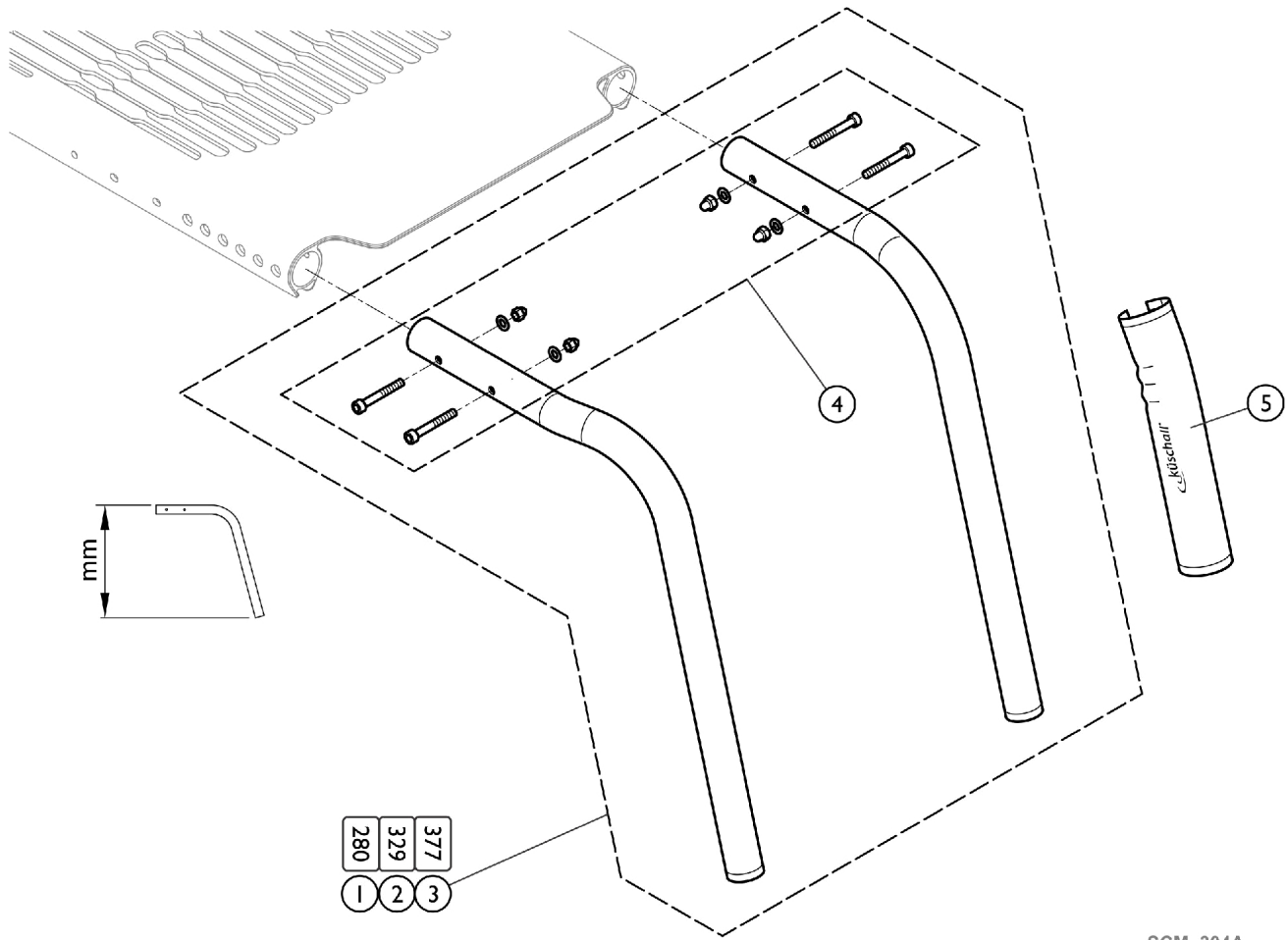
Frame - Standard - 75 degree

Item Number	Note	Part Number	Description	Quantity Per	
				Package	Assembly
1-3		See Chart	Frame - Standard - 75 Degree	2	1
4		1560215	Kit, Hardware, Seat Module Aluminum Frame	1	1
5		1529372	Front Frame Protectors (Pair)	2	1

Frame - Standard - 75 Degree

Color	Item #1 - Short (Pair)	Item #2 - Medium (Pair)	Item #3 - Long (Pair)
Mercury Blue	1560203-0184	1560204-0184	1560205-0184
Dynamite Orange	1560203-0185	1560204-0185	1560205-0185
Polished	1560203-0410	1560204-0410	1560205-0410
Matte Black	1560203-0411	1560204-0411	1560205-0411
Ivory White	1560203-0445	1560204-0445	1560205-0445
Flashy Yellow	1560203-0451	1560204-0451	1560205-0451
Royal Red	1560203-3524	1560204-3524	1560205-3524
Royal Blue	1560203-5969	1560204-5969	1560205-5969

Frame - Adducted - 75 degree



SCM_304A

Frame - Adducted - 75 degree

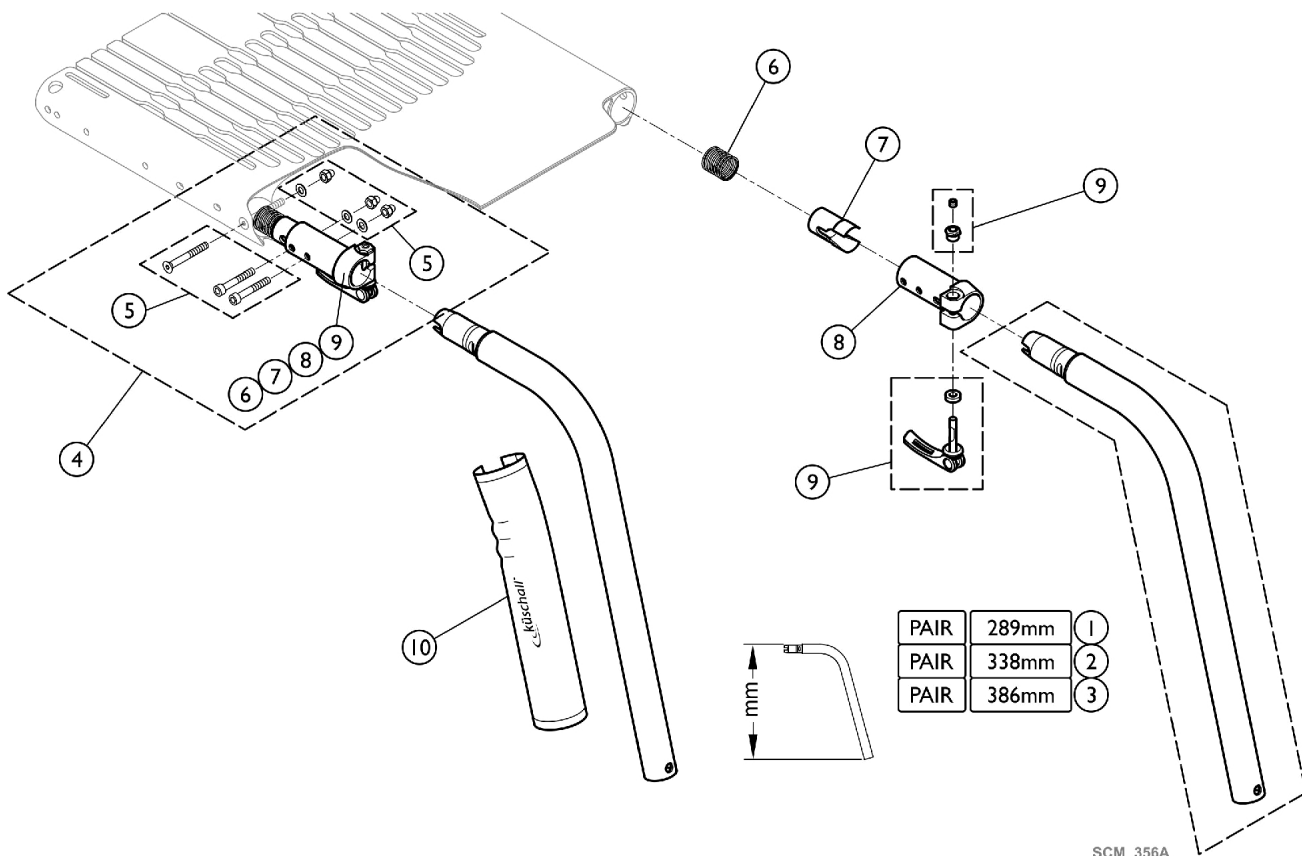
Item Number	Note	Part Number	Description	Quantity Per	
				Package	Assembly
1-3		See Chart	Frame - Adducted - 75 Degree	2	1
4		1560215	Kit, Hardware, Seat Module Aluminum Frame	1	1
5		1529372	Front Frame Protectors (Pair)	2	1

Frame - Adducted - 75 Degree

Color	Item #1 - Short (Pair)	Item #2 - Medium (Pair)	Item #3 - Long (Pair)
Mercury Blue	1560209-0184	1560210-0184	1560211-0184
Dynamite Orange	1560209-0185	1560210-0185	1560211-0185
Polished	1560209-0410	1560210-0410	1560211-0410
Matte Black	1560209-0411	1560210-0411	1560211-0411
Ivory White	1560209-0445	1560210-0445	1560211-0445
Flashy Yellow	1560209-0451	1560210-0451	1560211-0451
Royal Red	1560209-3524	1560210-3524	1560211-3524
Royal Blue	1560209-5969	1560210-5969	1560211-5969

Frame - Quick Release - 75 degree

See "Footrest - Quick Release Frame" to match Footrest to Frame



SCM_356A

Frame - Quick Release - 75 degree

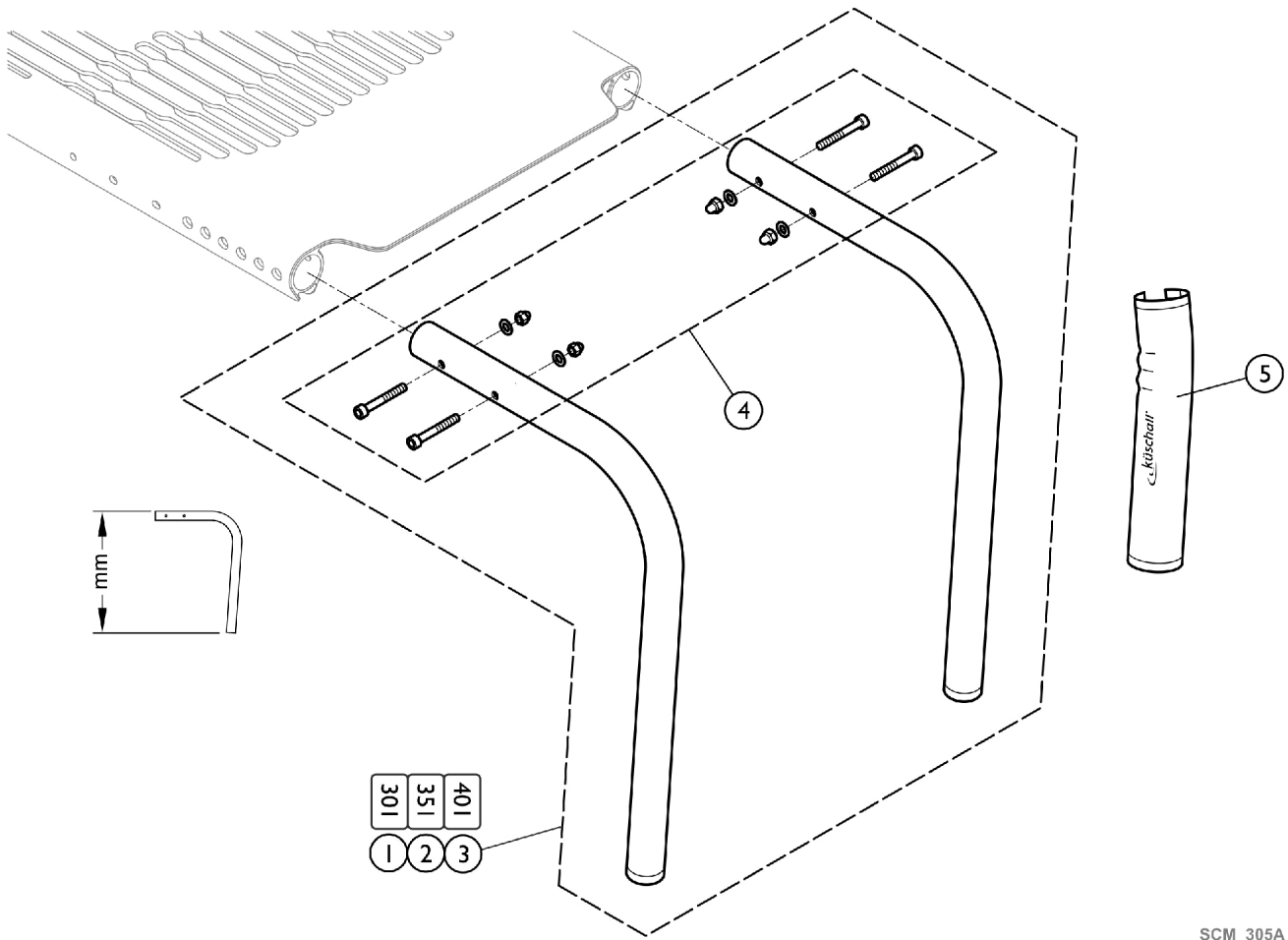
See "Footrest - Quick Release Frame" to match Footrest to Frame

Item Number	Note	Part Number	Description	Quantity Per	
				Package	Assembly
1-3		See Chart	Frame - Quick Release - 75 Degree	2	1
4		1567250	Kit, Female Coupling, Quick Release Frame, Complete (Pair)	2	1
5		1567251	Kit, Hardware, Seat Module Coupling Female, Quick Release Frame (Pair)	2	1
6		1567252	Spring, Quick Release Frame (Pair)	2	1
7		1567320	Sleeve, Quick Release Frame (Pair)	2	1
8		1567321	Female Coupling, Quick Release Frame (Pair)	2	1
9		1567322	Lever, Complete, Quick Release Frame (Pair)	2	1
10		1529372	Front Frame Protectors (Pair)	2	1

Frame - Quick Release - 75 Degree

Color	Item #1 - Short (Pair)	Item #2 - Medium (Pair)	Item #3 - Long (Pair)
Mercury Blue	1567244-0184	1567245-0184	1567246-0184
Dynamite Orange	1567244-0185	1567245-0185	1567246-0185
Polished	1567244-0410	1567245-0410	1567246-0410
Matte Black	1567244-0411	1567245-0411	1567246-0411
Ivory White	1567244-0445	1567245-0445	1567246-0445
Flashy Yellow	1567244-0451	1567245-0451	1567246-0451
Royal Red	1567244-3524	1567245-3524	1567246-3524
Royal Blue	1567244-5969	1567245-5969	1567246-5969

Frame - Standard - 90 degree



SCM_305A

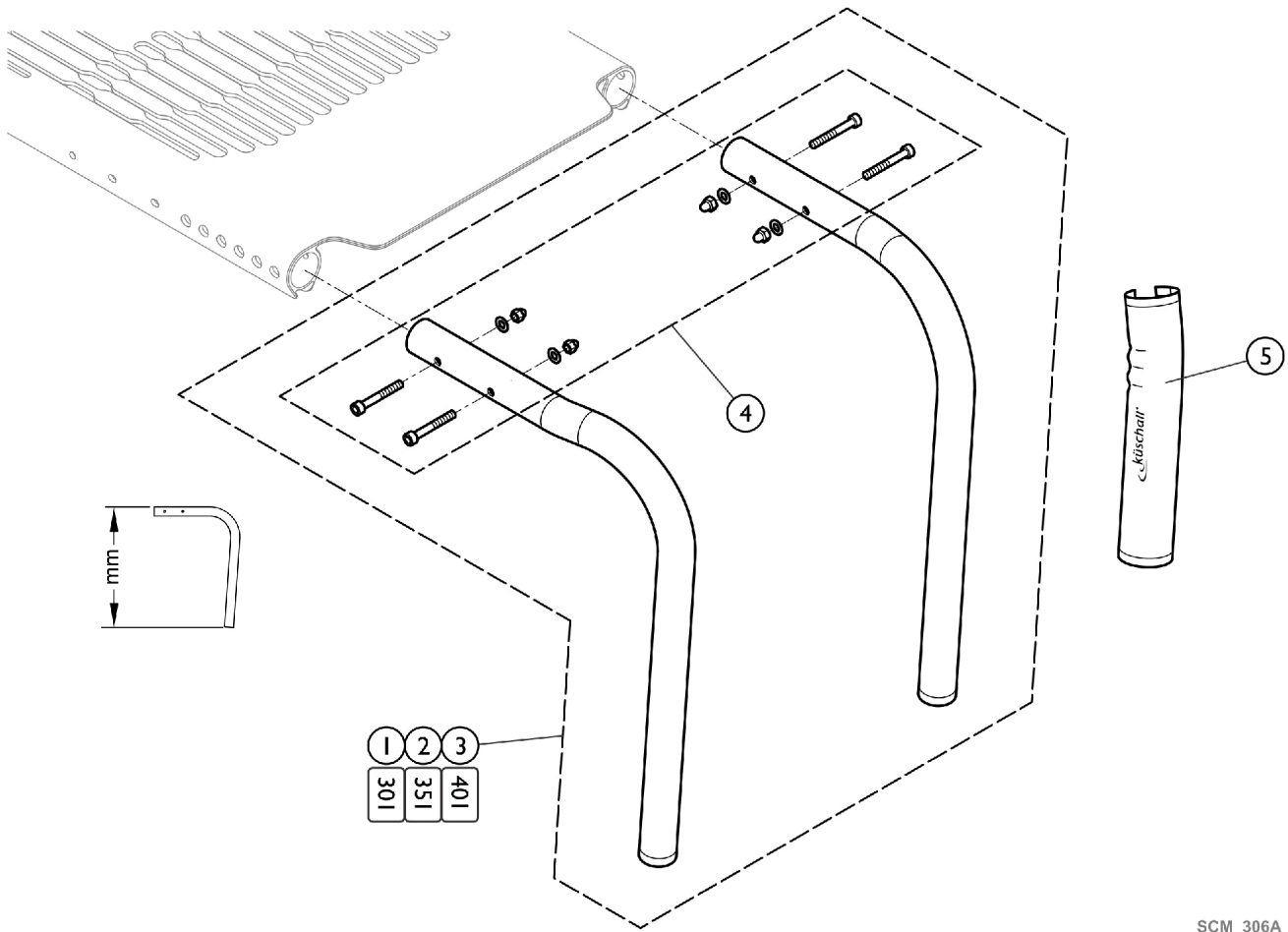
Frame - Standard - 90 degree

Item Number	Note	Part Number	Description	Quantity Per	
				Package	Assembly
1-3		See Chart	Frame - Standard - 90 Degree	2	1
4		1560215	Kit, Hardware, Seat Module Aluminum Frame	1	1
5		1529372	Front Frame Protectors (Pair)	2	1

Frame - Standard - 90 Degree

Color	Item #1 - Short (Pair)	Item #2 - Medium (Pair)	Item #3 - Long (Pair)
Mercury Blue	1560206-0184	1560207-0184	1560208-0184
Dynamite Orange	1560206-0185	1560207-0185	1560208-0185
Polished	1560206-0410	1560207-0410	1560208-0410
Matte Black	1560206-0411	1560207-0411	1560208-0411
Ivory White	1560206-0445	1560207-0445	1560208-0445
Flashy Yellow	1560206-0451	1560207-0451	1560208-0451
Royal Red	1560206-3524	1560207-3524	1560208-3524
Royal Blue	1560206-5969	1560207-5969	1560208-5969

Frame - Adducted - 90 degree



SCM_306A

Frame - Adducted - 90 degree

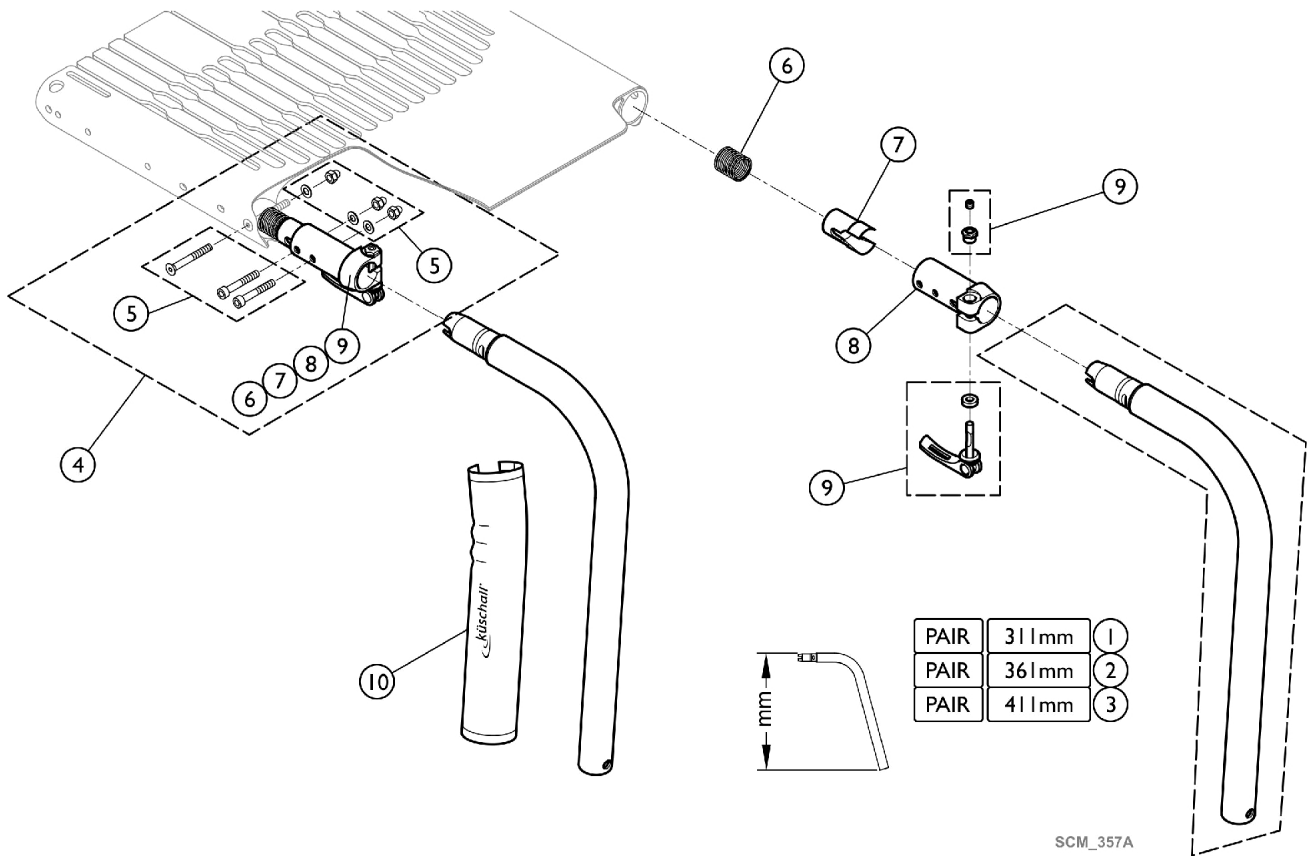
Item Number	Note	Part Number	Description	Quantity Per	
				Package	Assembly
1-3		See Chart	Frame - Adducted - 90 Degree	2	1
4		1560215	Kit, Hardware, Seat Module Aluminum Frame	1	1
5		1529372	Front Frame Protectors (Pair)	2	1

Frame - Adducted - 90 Degree

Color	Item #1 - Short (Pair)	Item #2 - Medium (Pair)	Item #3 - Long (Pair)
Mercury Blue	1560212-0184	1560213-0184	1560214-0184
Dynamite Orange	1560212-0185	1560213-0185	1560214-0185
Polished	1560212-0410	1560213-0410	1560214-0410
Matte Black	1560212-0411	1560213-0411	1560214-0411
Ivory White	1560212-0445	1560213-0445	1560214-0445
Flashy Yellow	1560212-0451	1560213-0451	1560214-0451
Royal Red	1560212-3524	1560213-3524	1560214-3524
Royal Blue	1560212-5969	1560213-5969	1560214-5969

Frame - Quick Release - 90 degree

See "Footrest - Quick Release Frame" to match Footrest to Frame



Frame - Quick Release - 90 degree

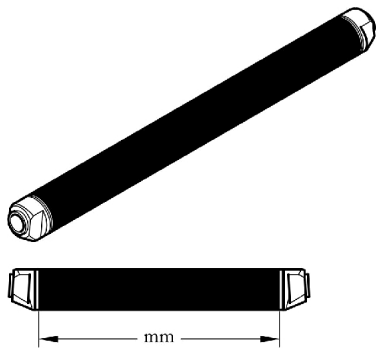
See "Footrest - Quick Release Frame" to match Footrest to Frame

Item Number	Note	Part Number	Description	Quantity Per	
				Package	Assembly
1-3		See Chart	Frame - Quick Release - 90 Degree	2	1
4		1567250	Kit, Female Coupling, Quick Release Frame, Complete (Pair)	2	1
5		1567251	Kit, Hardware, Seat Module Coupling Female, Quick Release Frame (Pair)	2	1
6		1567252	Spring, Quick Release Frame (Pair)	2	1
7		1567320	Sleeve, Quick Release Frame (Pair)	2	1
8		1567321	Female Coupling, Quick Release Frame (Pair)	2	1
9		1567322	Lever, Complete, Quick Release Frame (Pair)	2	1
10		1529372	Front Frame Protectors (Pair)	2	1

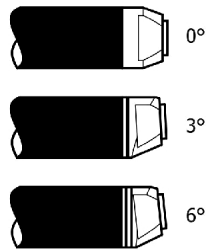
Frame - Quick Release - 90 Degree

Color	Item #1 - Short (Pair)	Item #2 - Medium (Pair)	Item #3 - Long (Pair)
Mercury Blue	1567247-0184	1567248-0184	1567249-0184
Dynamite Orange	1567247-0185	1567248-0185	1567249-0185
Polished	1567247-0410	1567248-0410	1567249-0410
Matte Black	1567247-0411	1567248-0411	1567249-0411
Ivory White	1567247-0445	1567248-0445	1567249-0445
Flashy Yellow	1567247-0451	1567248-0451	1567249-0451
Royal Red	1567247-3524	1567248-3524	1567249-3524
Royal Blue	1567247-5969	1567248-5969	1567249-5969

Chassis - Axle Tube - Aluminum



ANGLE	CLOTHES GUARD	SIDEREST		MUDGUARD	SB34	SB36	SB38	SB40	SB42	SB44	SB46
		YES	NO		1	2	3	4	5	6	7
0°	YES	YES	NO	YES	1	2	3	4	5	6	7
	NO	NO	YES	NO	9	10	11	12	13	14	15
3°	YES	YES	NO	YES	10	11	12	13	14	15	16
	NO	NO	YES	NO	18	19	20	21	22	23	24
6°	YES	YES	NO	YES	19	20	21	22	23	24	25
	NO	NO	YES	NO	19	20	21	22	23	24	25



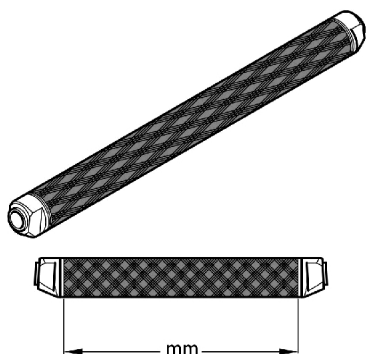
ANGLE	CLOTHES GUARD	SIDEREST		MUDGUARD	SB34	SB36	SB38	SB40	SB42	SB44	SB46
		YES	NO		1	2	3	4	5	6	7
0°	YES	YES	NO	0°/Vario	1	2	3	4	5	6	7
	YES	NO	YES	3°	1	2	3	4	5	6	7
	NO	YES	NO	3°	2	3	4	5	6	7	8
3°	YES	YES	NO	0°, 3°, Vario	9	10	11	12	13	14	15
	NO	NO	YES	0°, 3°, Vario	10	11	12	13	14	15	16
	YES	YES	NO	6°	10	11	12	13	14	15	16
	NO	NO	YES	6°	11	12	13	14	15	16	17
	YES	YES	NO	3°, 6°	18	19	20	21	22	23	24
6°	NO	NO	YES	3°, 6°	19	20	21	22	23	24	25
	YES	YES	NO	3°, 6°	19	20	21	22	23	24	25

SCM_300A

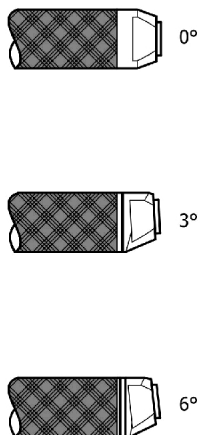
Chassis - Axle Tube - Aluminum

Item Number	Note	Part Number	Description	Quantity Per	
				Package	Assembly
1		1545827	Axle Tube, Aluminum 0° Complete, 318mm	1	1
2		1545828	Axle Tube, Aluminum 0° Complete, 338mm	1	1
3		1545829	Axle Tube, Aluminum 0° Complete, 358mm	1	1
4		1545830	Axle Tube, Aluminum 0° Complete, 378mm	1	1
5		1545831	Axle Tube, Aluminum 0° Complete, 398mm	1	1
6		1545832	Axle Tube, Aluminum 0° Complete, 418mm	1	1
7		1545833	Axle Tube, Aluminum 0° Complete, 438mm	1	1
8		1545834	Axle Tube, Aluminum 0° Complete, 458mm	1	1
9		1545836	Axle Tube, Aluminum 3° Complete, 324mm	1	1
10		1545837	Axle Tube, Aluminum 3° Complete, 344mm	1	1
11		1545838	Axle Tube, Aluminum 3° Complete, 364mm	1	1
12		1545839	Axle Tube, Aluminum 3° Complete, 384mm	1	1
13		1545840	Axle Tube, Aluminum 3° Complete, 404mm	1	1
14		1545841	Axle Tube, Aluminum 3° Complete, 424mm	1	1
15		1545842	Axle Tube, Aluminum 3° Complete, 444mm	1	1
16		1545843	Axle Tube, Aluminum 3° Complete, 464mm	1	1
17		1545844	Axle Tube, Aluminum 3° Complete, 484mm	1	1
18		1545846	Axle Tube, Aluminum 6° Complete, 354mm	1	1
19		1545847	Axle Tube, Aluminum 6° Complete, 374mm	1	1
20		1545848	Axle Tube, Aluminum 6° Complete, 394mm	1	1
21		1545849	Axle Tube, Aluminum 6° Complete, 414mm	1	1
22		1545850	Axle Tube, Aluminum 6° Complete, 434mm	1	1
23		1545851	Axle Tube, Aluminum 6° Complete, 454mm	1	1
24		1545852	Axle Tube, Aluminum 6° Complete, 474mm	1	1
25		1545853	Axle Tube, Aluminum 6° Complete, 494mm	1	1

Chassis - Axle Tube - Carbon



ANGLE	CLOTHES GUARD	SIDEREST		MUDGUARD	SB34	SB36	SB38	SB40	SB42	SB44	SB46
		YES	NO		1	2	3	4	5	6	7
0°	YES	YES	YES	YES	1	2	3	4	5	6	7
3°	YES	NO	NO	NO	9	10	11	12	13	14	15
	NO	YES	YES	YES	10	11	12	13	14	15	16
6°	YES	NO	NO	NO	18	19	20	21	22	23	24
	NO	YES	YES	YES	19	20	21	22	23	24	25



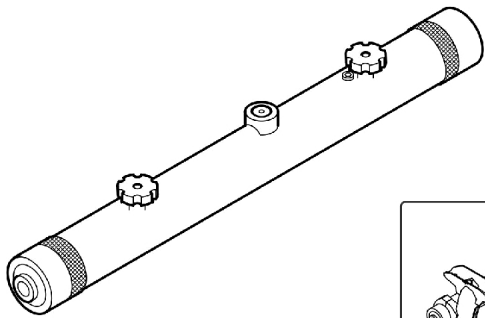
ANGLE	CLOTHES GUARD	SIDEREST		MUDGUARD	SB34	SB36	SB38	SB40	SB42	SB44	SB46
		YES	NO		1	2	3	4	5	6	7
0°	YES	YES	0°/Vario	0°/Vario	1	2	3	4	5	6	7
	YES	NO	3°	3°	1	2	3	4	5	6	7
3°	NO	YES	3°	3°	2	3	4	5	6	7	8
	YES	NO	0°, 3°, Vario	0°, 3°, Vario	9	10	11	12	13	14	15
6°	NO	YES	0°, 3°, Vario	0°, 3°, Vario	10	11	12	13	14	15	16
	YES	NO	6°	6°	10	11	12	13	14	15	16
6°	NO	YES	6°	6°	11	12	13	14	15	16	17
	YES	NO	3°, 6°	3°, 6°	18	19	20	21	22	23	24
6°	NO	YES	3°, 6°	3°, 6°	19	20	21	22	23	24	25

SCM_301A

Chassis - Axle Tube - Carbon

Item Number	Note	Part Number	Description	Quantity Per	
				Package	Assembly
1		1507565	Axle Tube, Carbon 0° Complete, 318mm	1	1
2		1507566	Axle Tube, Carbon 0° Complete, 338mm	1	1
3		1507567	Axle Tube, Carbon 0° Complete, 358mm	1	1
4		1507568	Axle Tube, Carbon 0° Complete, 378mm	1	1
5		1507569	Axle Tube, Carbon 0° Complete, 398mm	1	1
6		1507570	Axle Tube, Carbon 0° Complete, 418mm	1	1
7		1507571	Axle Tube, Carbon 0° Complete, 438mm	1	1
8		1507572	Axle Tube, Carbon 0° Complete, 458mm	1	1
9		1507575	Axle Tube, Carbon 3° Complete, 324mm	1	1
10		1507576	Axle Tube, Carbon 3° Complete, 344mm	1	1
11		1507577	Axle Tube, Carbon 3° Complete, 364mm	1	1
12		1507578	Axle Tube, Carbon 3° Complete, 384mm	1	1
13		1507579	Axle Tube, Carbon 3° Complete, 404mm	1	1
14		1507580	Axle Tube, Carbon 3° Complete, 424mm	1	1
15		1507581	Axle Tube, Carbon 3° Complete, 444mm	1	1
16		1507582	Axle Tube, Carbon 3° Complete, 464mm	1	1
17		1507583	Axle Tube, Carbon 3° Complete, 484mm	1	1
18		1507585	Axle Tube, Carbon 6° Complete, 354mm	1	1
19		1507586	Axle Tube, Carbon 6° Complete, 374mm	1	1
20		1507587	Axle Tube, Carbon 6° Complete, 394mm	1	1
21		1507588	Axle Tube, Carbon 6° Complete, 414mm	1	1
22		1507589	Axle Tube, Carbon 6° Complete, 434mm	1	1
23		1507590	Axle Tube, Carbon 6° Complete, 454mm	1	1
24		1507591	Axle Tube, Carbon 6° Complete, 474mm	1	1
25		1507592	Axle Tube, Carbon 6° Complete, 494mm	1	1

Chassis - Vario Axle



				SB34	SB36	SB38	SB40	SB42	SB44	SB46
	CLOTHES GUARD	SIDEREST	MUDGUARD							
	YES	YES		1	2	3	4	5	6	7

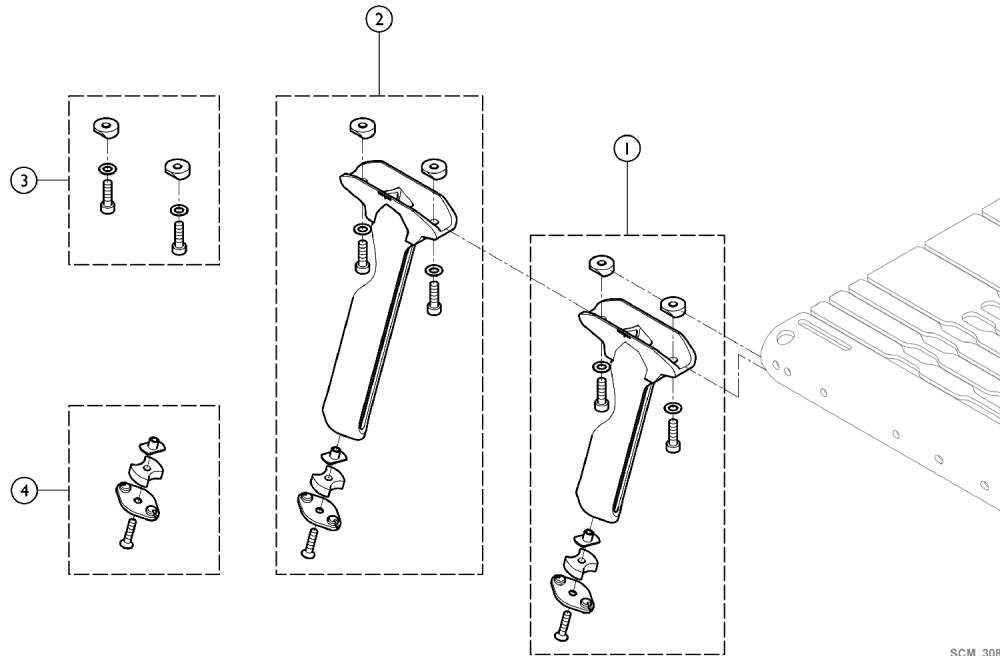
					SB34	SB36	SB38	SB40	SB42	SB44	SB46
	CLOTHES GUARD	SIDEREST	MUDGUARD								
	YES	YES		0°/Vario	1	2	3	4	5	6	7
	YES	NO		3°	1	2	3	4	5	6	7
	NO	YES		3°	2	3	4	5	6	7	8

SCM_302A

Chassis - Vario Axle

Item Number	Note	Part Number	Description	Quantity Per	
				Package	Assembly
1		1507611	Vario-Ax, Complete 355mm	1	1
2		1507612	Vario-Ax, Complete 375mm	1	1
3		1507613	Vario-Ax, Complete 395mm	1	1
4		1507615	Vario-Ax, Complete 415mm	1	1
5		1507616	Vario-Ax, Complete 435mm	1	1
6		1507617	Vario-Ax, Complete 455mm	1	1
7		1507619	Vario-Ax, Complete 475mm	1	1
8		1507620	Vario-Ax, Complete 495mm	1	1

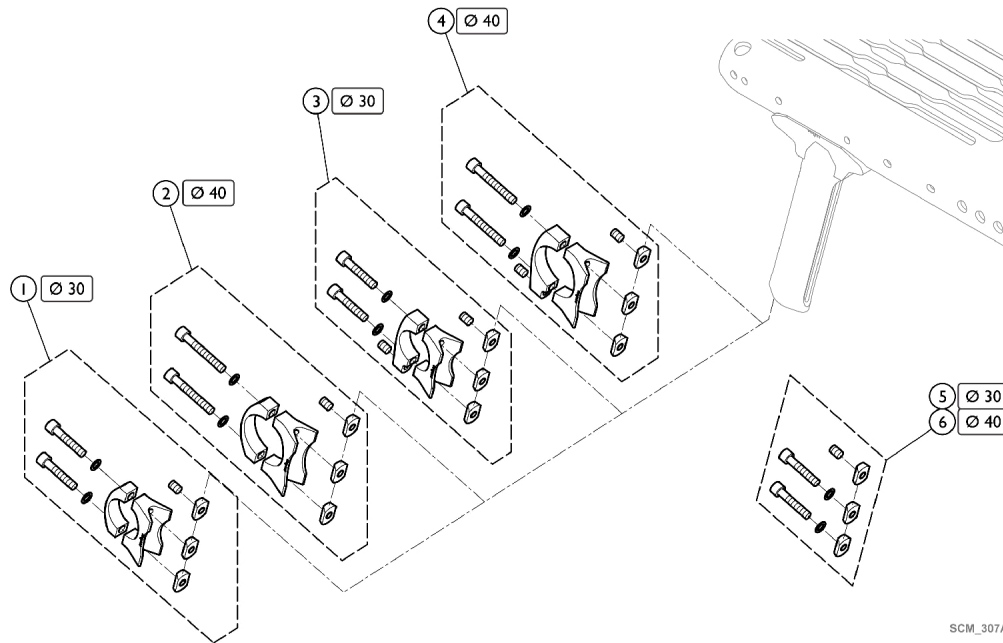
Chassis - Verticle Brace



SCM_308A

Item Number	Note	Part Number	Description	Quantity Per	
				Package	Assembly
1		1560220	Chassis - Rear Wheel Mounting	1	2
2		1560221	Chassis - Rear Wheel Mounting	1	2
3		1560222	Kit, Hardware, Vertical Brace (Pair)	2	1
4		1560223	Vertical Brace, Plug (Pair)	2	1

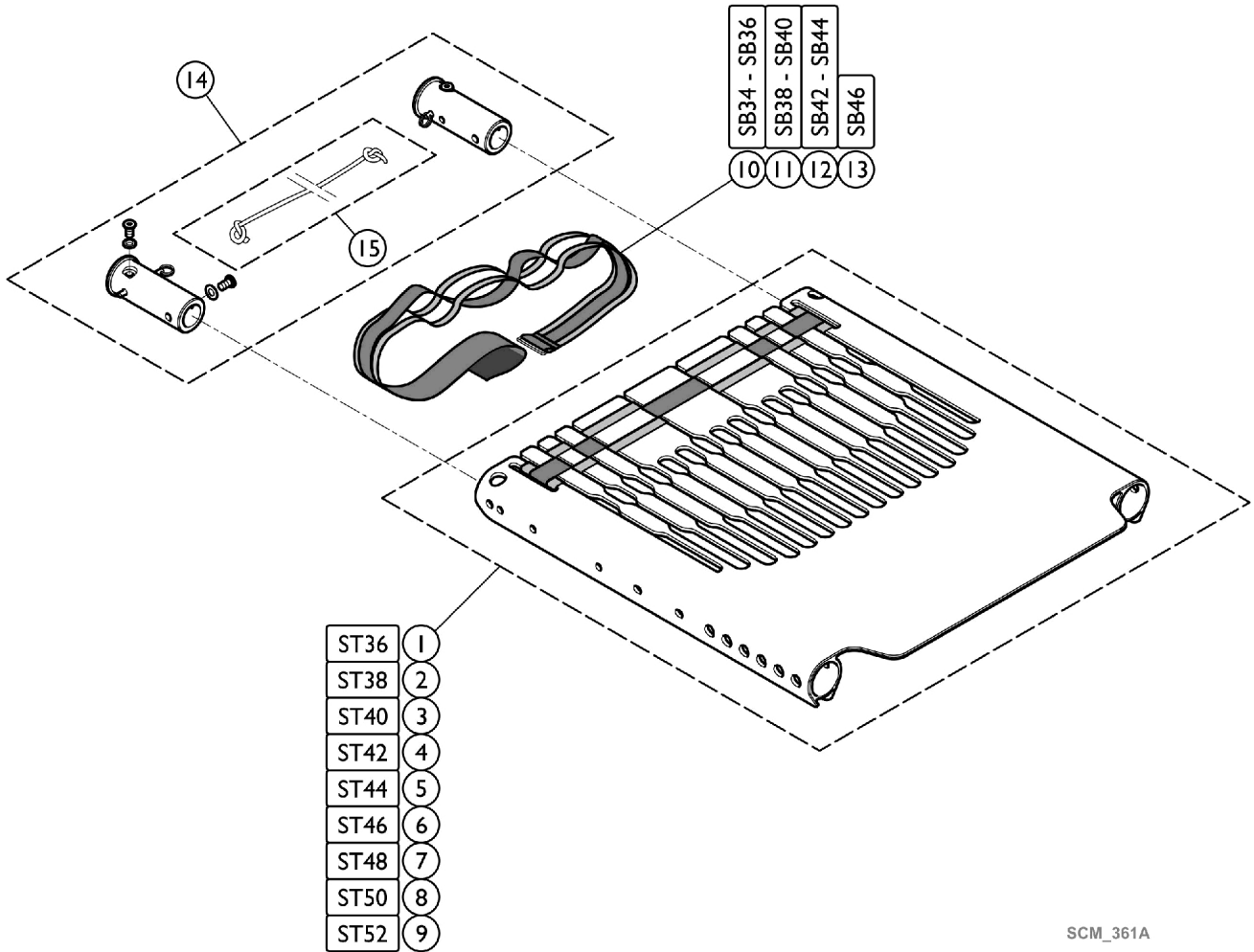
Chassis - Axle Holder



SCM_307A

Item Number	Note	Part Number	Description	Quantity Per	
				Package	Assembly
1		1560224	Axle Holder, Complete Ø30	1	2
2		1560225	Axle Holder, Complete Ø40	1	2
3		SP1589948	Axle Holder, Adaptations, Complete, Ø30	1	2
4		SP1589949	Axle Holder, Adaptations, Complete, Ø40	1	2
5		1560226	Kit, Hardware, Axle Holder Ø30 (Pair)	2	1
6		1560227	Kit, Hardware, Axle Holder Ø40 (Pair)	2	1

Seating - Seat Module



SCM_361A

Seating - Seat Module

Item Number	Note	Part Number	Description	Quantity Per	
				Package	Assembly
1-3		See Chart	Seat - Seat Module (ST36 - ST38 - ST40)	1	1
4-6		See Chart	Seat - Seat Module (ST42 - ST44 - ST46)	1	1
7-9		See Chart	Seat - Seat Module (ST48 - ST50 - ST52)	1	1
10	A	1560525	Tension Strap 740mm, Seat Module	1	1
11	B	1560526	Tension Strap 840mm, Seat Module	1	1
12	C	1560527	Tension Strap 940mm, Seat Module	1	1
13	D	1560528	Tension Strap 1060mm, Seat Module	1	1
14		1560529	Backrest Bolt Set (Pair)	2	1
15		1554427	Cord, Backrest, Foldable	1	1

NOTE: A - Used with SB34 - SB36.
 B - Used with SB38 - SB40.
 C - Used with SB42 - SB44.
 D - Used with SB46.

Seat - Seat Module (ST36 - ST38 - ST40)

Seat Back	Item #1 - ST36	Item #2 - ST38	Item #3 - ST40
SB34	1560237	1560238	1560239
SB36	1560246	1560247	1560248
SB38	1560255	1560256	1560257
SB40	1560264	1560265	1560266
SB42	1560273	1560274	1560275
SB44	1560282	1560283	1560284
SB46	1560291	1560292	1560500

Seat - Seat Module (ST42 - ST44 - ST46)

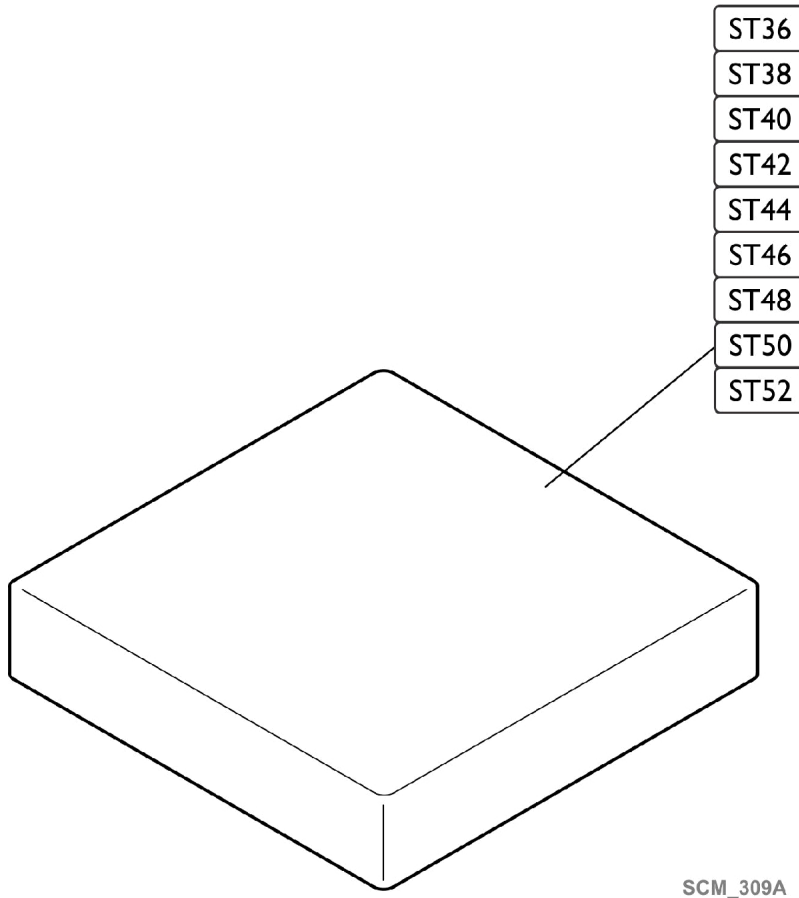
Seat Back	Item #4 - ST42	Item #5 - ST44	Item #6 - ST46
SB34	1560240	1560241	1560242
SB36	1560249	1560250	1560251
SB38	1560258	1560259	1560260
SB40	1560267	1560268	1560269
SB42	1560276	1560277	1560278
SB44	1560285	1560286	1560287
SB46	1560501	1560502	1560503

Seating - Seat Module

Seat - Seat Module (ST48 - ST50 - ST52)

Back Size	Item #7 - ST48	Item #8 - ST50	Item #9 - ST52
SB34	1560243	1560244	1560245
SB36	1560252	1560253	1560254
SB38	1560261	1560262	1560263
SB40	1560270	1560271	1560272
SB42	1560279	1560280	1560281
SB44	1560288	1560289	1560290
SB46	1560504	1560505	1560506

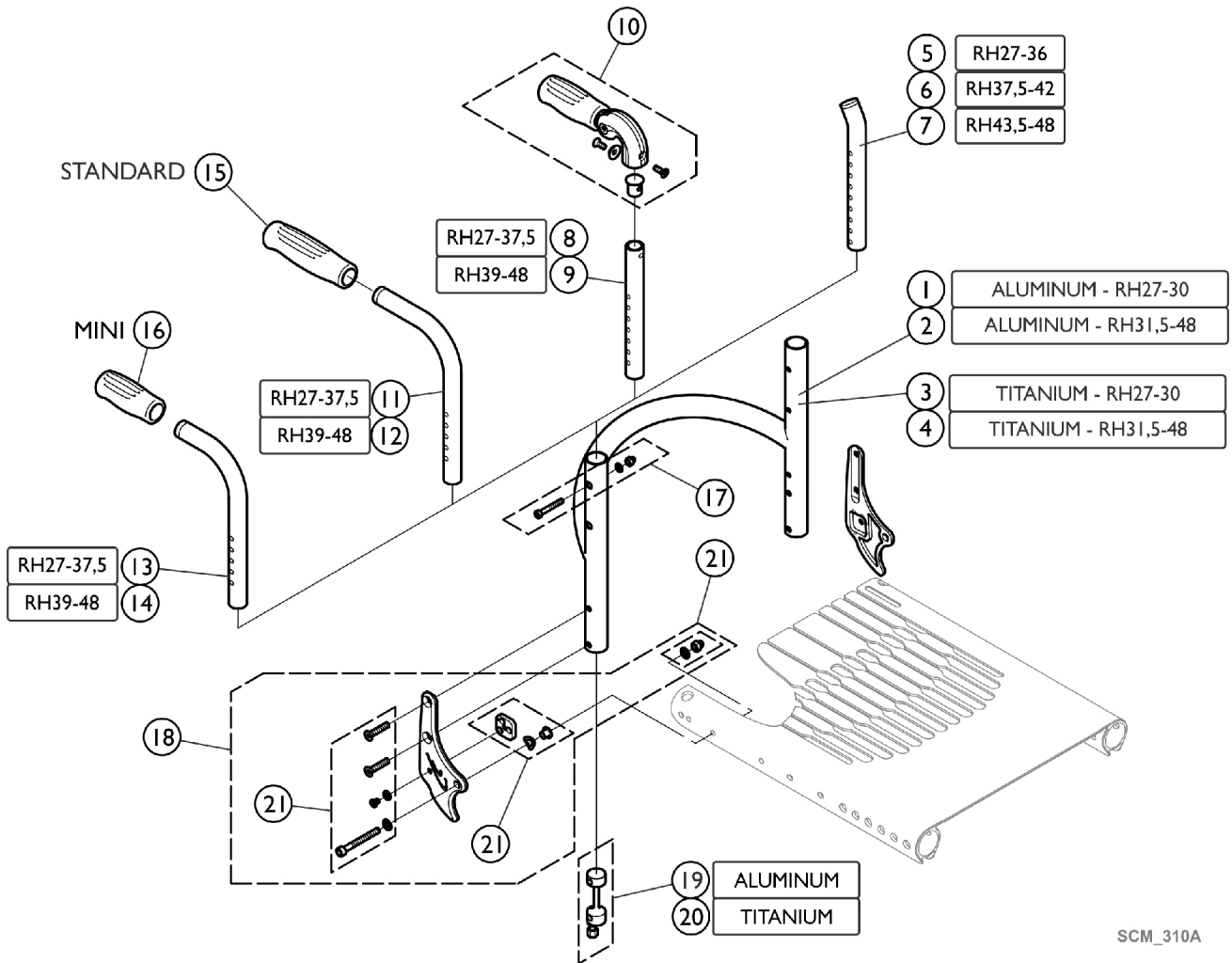
Seating - Standard Seat Cushion



SCM_309A

Model Size SB = Width ST = Depth	SB34	SB36	SB38	SB40	SB42	SB44	SB46
ST36	1556326	1556335	1556336	1556337	1556338	1556339	1556340
ST38	1556327	1556336	1556344	1556345	1556346	1556347	1556348
ST40	1556328	1556337	1556345	1556352	1556353	1556354	1556355
ST42	1556329	1556338	1556346	1556353	1556359	1556360	1556361
ST44	1556330	1556339	1556347	1556354	1556360	1556365	1556366
ST46	1556331	1556340	1556348	1556355	1556361	1556366	1556370
ST48	1556332	1556341	1556349	1556356	1556362	1556367	1556371
ST50	1556333	1556342	1556350	1556357	1556363	1556368	1556372
ST52	1556334	1556343	1556351	1556358	1556364	1556369	1556373

Backrest - Standard



SCM_310A

Backrest - Standard

Item Number	Note	Part Number	Description	Quantity Per	
				Package	Assembly
1-4		See Chart	Backrest - Standard (Backrest Tube)	1	1
5		1546913	Telescopic Back Tube, Standard - Short (Pair)	2	1
6		1546914	Telescopic Back Tube, Standard - Medium (Pair)	2	1
7		1546946	Telescopic Back Tube, Standard - Long (Pair)	2	1
8		1524956	Telescopic Tube Short, Foldable Push Handle (Pair)	2	1
9		1525121	Telescopic Tube Medium, Foldable Push Handle (Pair)	2	1
10		1507733	Foldable Push Handles (Pair)	2	1
11		1525122	Backrest Tube Standard, Short (Pair)	2	1
12		1525123	Backrest Tube Standard, Long (Pair)	2	1
13		1525124	Backrest Tube Mini, Short (Pair)	2	1
14		1525125	Backrest Tube Mini, Long (Pair)	2	1
15		1507734	Handle, Black (Pair)	2	1
16		1525126	Handle Black, Mini (Pair)	2	1
17		1546947	Kit, Hardware, Backrest Tube	1	1
18		See Chart	Item #18. Backrest - Joint Plate (Pair)	1	1
19		1546948	Sleeves, Backrest Tube, Aluminum, Complete (Pair)	2	1
20		1546949	Sleeves, Backrest Tube, Titan, Complete (Pair)	2	1
21		1560913	Kit, Hardware, Backrest Joint	1	1

Backrest - Standard (Backrest Tube)

Tube Sizes	Item #1 Aluminum Short	Item #2 Aluminum Long	Item #3 Titanium Short	Item #4 Titanium Long
SB34	1546694	1546702	1546810	1546818
SB36	1546695	1546739	1546811	1546819
SB38	1546696	1546740	1546812	1546820
SB40	1546697	1546741	1546813	1546821
SB42	1546698	1546806	1546814	1546822
SB44	1546699	1546807	1546815	1546823
SB46	1546700	1546808	1546816	1546824

Item #18. Backrest - Joint Plate (Pair)

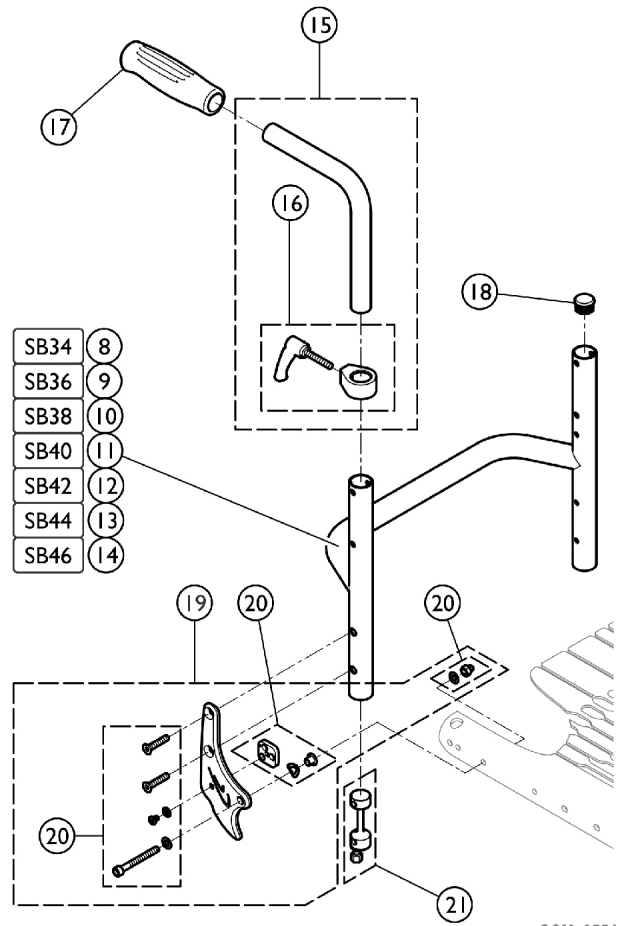
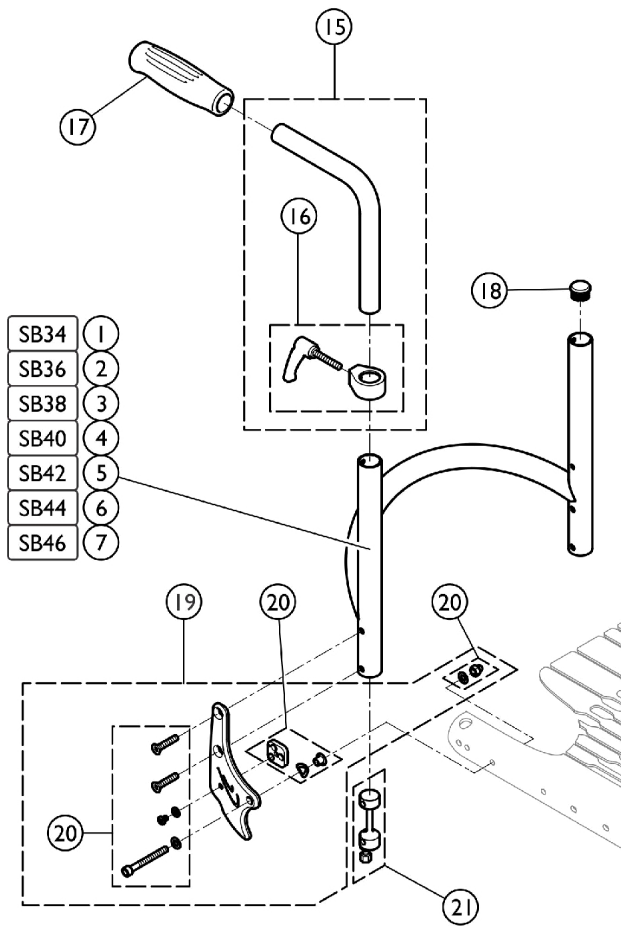
Joint Plate Color	Part Number
Polished	1560881-0001
Black	1560881-0004

Backrest - Standard

Item #18. Backrest - Joint Plate (Pair)

Joint Plate Color	Part Number
Champagne	1560881-0182
Techno-Anthracite	1560881-0400
Comet Red	1560881-0440
Artic Blue	1560881-0441

Backrest - Matrix Back

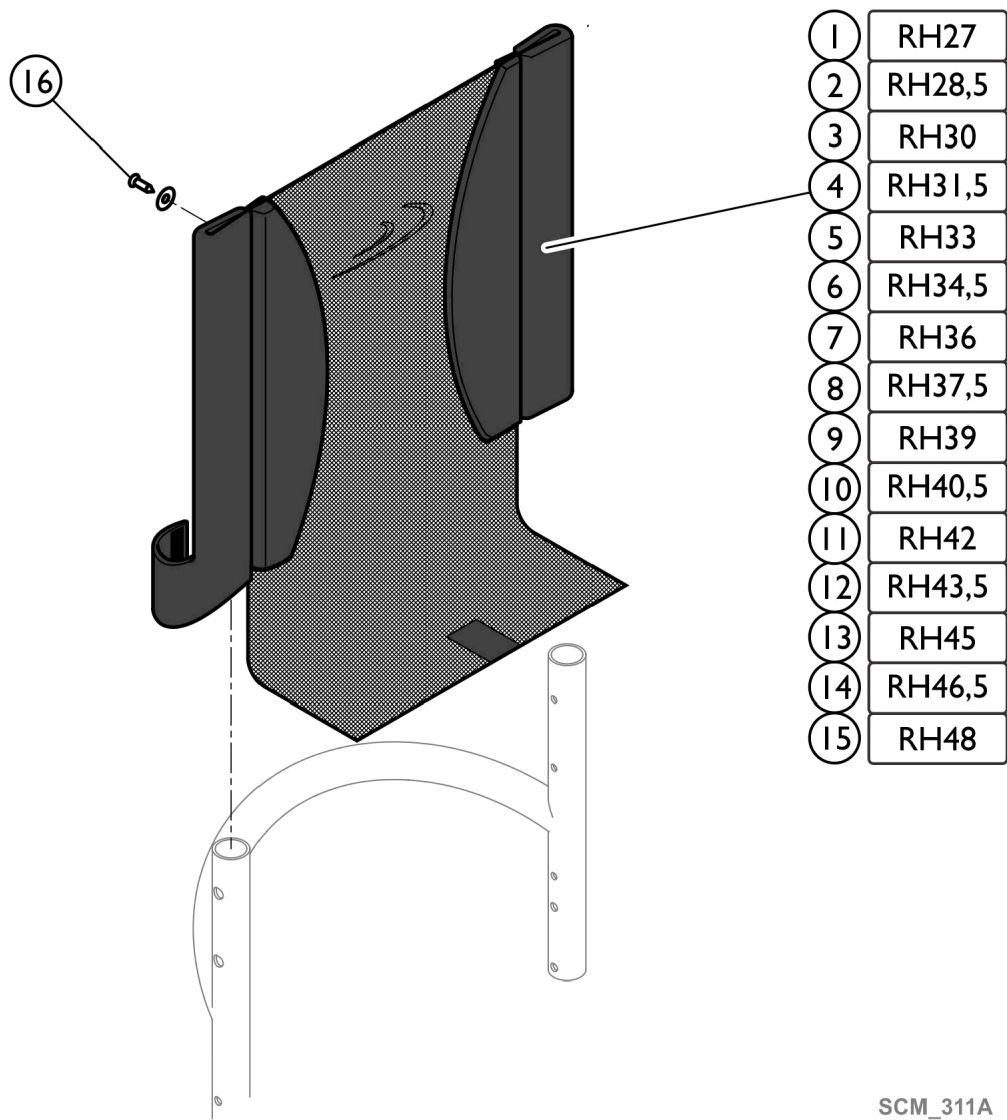


SCM_355A

Backrest - Matrix Back

Item Number	Note	Part Number	Description	Quantity Per	
				Package	Assembly
1		1560914	Backrest, Fixed Backrest, SB34	1	1
2		1561012	Backrest, Fixed Backrest, SB36	1	1
3		1561013	Backrest, Fixed Backrest, SB38	1	1
4		1561014	Backrest, Fixed Backrest, SB40	1	1
5		1561015	Backrest, Fixed Backrest, SB42	1	1
6		1561016	Backrest, Fixed Backrest, SB44	1	1
7		1561017	Backrest, Fixed Backrest, SB46	1	1
8		1582698	Straight Bar, Backrest Tube, Aluminum, SB34 Long	1	1
9		1582699	Straight Bar, Backrest Tube, Aluminum, SB36 Long	1	1
10		1582700	Straight Bar, Backrest Tube, Aluminum, SB38 Long	1	1
11		1582701	Straight Bar, Backrest Tube, Aluminum, SB40 Long	1	1
12		1582702	Straight Bar, Backrest Tube, Aluminum, SB42 Long	1	1
13		1582703	Straight Bar, Backrest Tube, Aluminum, SB44 Long	1	1
14		1582704	Straight Bar, Backrest Tube, Aluminum SB46 Long	1	1
15		1438203	Kit, Adjustable Height, Integrated Push Handles, Standard, Short	1	1
16		1549985	Adjusting Lever, Adjustable Height, Integrated Push Handles (Pair)	1	1
17		1507734	Handle, Black (Pair)	2	1
18		1561018	Tube, Plug Ø24mm (Pair)	2	1
19		1560881-0001	Backrest Joint Plate (Pair), Chrome	2	1
19		1560881-0004	Backrest Joint Plate (Pair), Black	2	1
19		1560881-0013-N LA	NLA - Backrest Joint Plate (Pair), Dark Grey	2	1
19		1560881-0182	Backrest Joint Plate (Pair), Champagne	2	1
19		1560881-0400	Backrest Joint Plate (Pair), Techno-Anthrazit	2	1
19		1560881-0440	Backrest Joint Plate (Pair), Comet Red	2	1
19		1560881-0441	Backrest Joint Plate (Pair), Arctic Blue	2	1
20		1560913	Kit, Hardware, Backrest Joint	1	1
21		1546948	Sleeves, Backrest Tube, Aluminum, Complete (Pair)	2	1

Backrest - Light Cover



SCM_311A

Item Number	Note	Part Number	Description	Quantity Per	
				Package	Assembly
1-5		See Chart	Backrest - Light Cover (RH27 - 28,5 - 30 - 31,5 - 33)	1	1
6-10		See Chart	Backrest - Light Cover (RH34,5 - 36 - 37,5 - 39 - 40,5)	1	1
11-15		See Chart	Backrest - Light Cover (RH42 - 43,5 - 45 - 46,5 - 48)	1	1
16		1432083	Kit, Hardware, Backrest Band	1	1

Backrest - Light Cover

Backrest - Light Cover (RH27 - 28,5 - 30 - 31,5 - 33)

Cover Sizes	Item #1 RH27	Item #2 RH28,5	Item #3 RH30	Item #4 RH31,5	Item #5 RH33
SB34	1546952	1546953	1546954	1546955	1546956
SB36	1546992	1546993	1546994	1546995	1546996
SB38	1547007	1547008	1547009	1547010	1547011
SB40	1547033	1547034	1547035	1547036	1547037
SB42	1547093	1547094	1547095	1547096	1547097
SB44	1547108	1547109	1547110	1547111	1547112
SB46	1547123	1547124	1547125	1547126	1547127

Backrest - Light Cover (RH34,5 - 36 - 37,5 - 39 - 40,5)

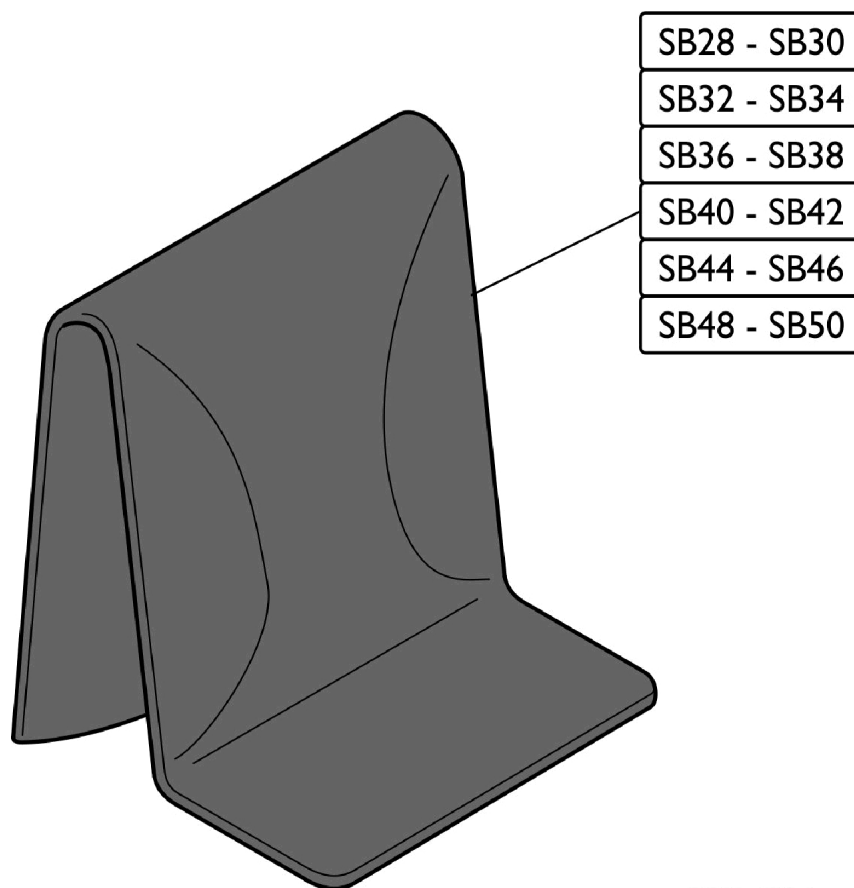
Cover Sizes	Item #6 RH34,5	Item #7 RH36	Item #8 RH37,5	Item #9 RH39	Item #10 RH40,5
SB34	1546957	1546958	1546959	1546960	1546961
SB36	1546997	1546998	1546999	1547000	1547001
SB38	1547012	1547013	1547014	1547015	1547016
SB40	1547048	1547049	1547050	1547051	1547052
SB42	1547098	1547099	1547100	1547101	1547102
SB44	1547113	1547114	1547115	1547116	1547117
SB46	1547128	1547129	1547130	1547131	1547132

Backrest - Light Cover

Backrest - Light Cover (RH42 - 43,5 - 45 - 46,5 - 48)

Cover Sizes	Item #11 RH42	Item #12 RH43,5	Item #13 RH45	Item #14 RH46,5	Item #15 RH48
SB34	1546962	1546988	1546989	1546990	1546991
SB36	1547002	1547003	1547004	1547005	1547006
SB38	1547028	1547029	1547030	1547031	1547032
SB40	1547053	1547054	1547055	1547091	1547092
SB42	1547103	1547104	1547105	1547106	1547107
SB44	1547118	1547119	1547120	1547121	1547122
SB46	1547133	1547134	1547135	1547136	1547137

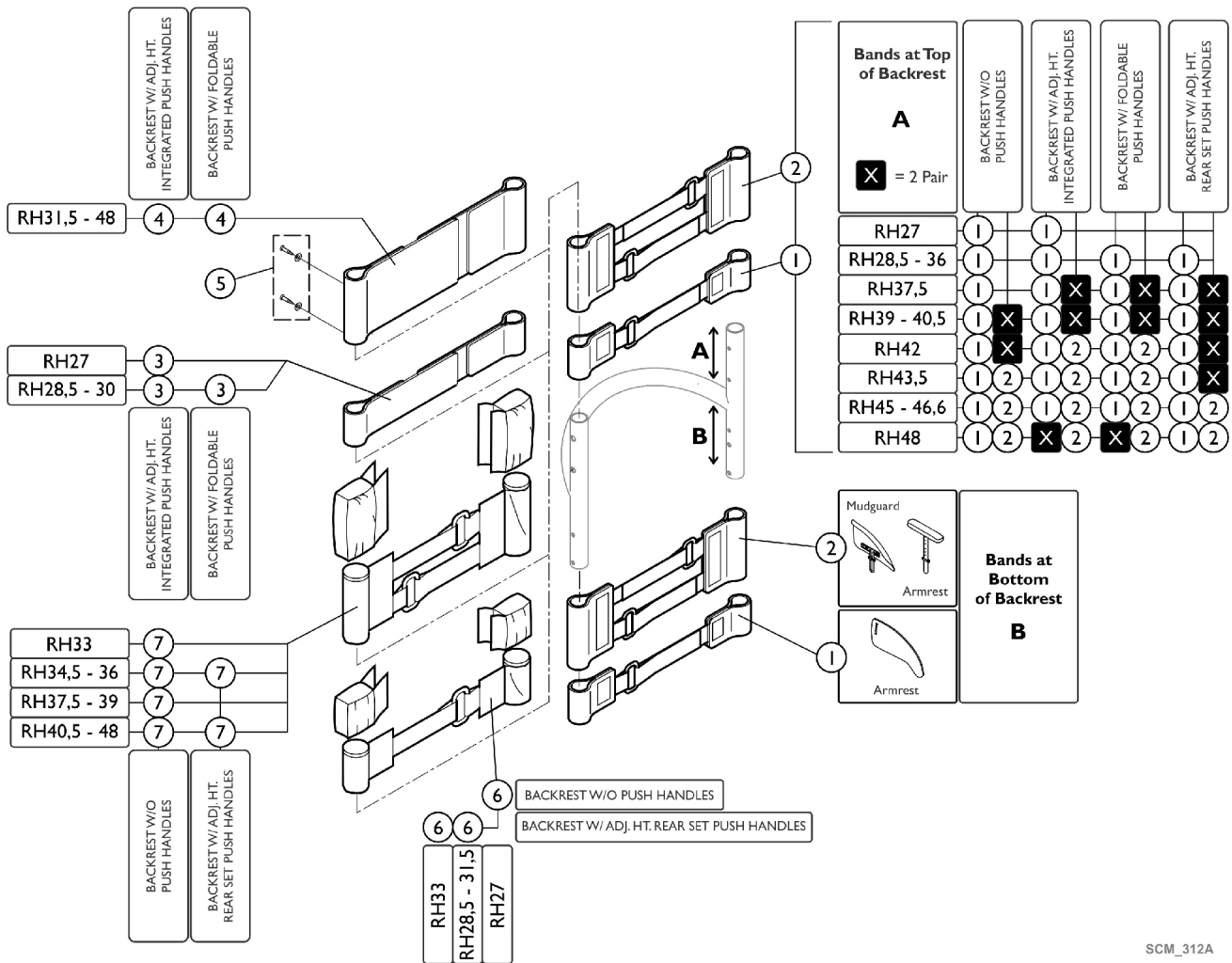
Backrest - Premium Cover



SCM_430A

Size	Short	Middle	Long	Extra Short
SB28-30	SP1605999	SP1606005	SP1606011	SP1606368
SB32-34	SP1606000	SP1606006	SP1606012	SP1606369
SB36-38	SP1606001	SP1606007	SP1606013	SP1606370
SB40-42	SP1606002	SP1606008	SP1606014	SP1606407
SB44-46	SP1606003	SP1606009	SP1606015	SP1606408
SB48-50	SP1606004	SP1606010	SP1606016	SP1606409

Backrest - Adjustable Bands

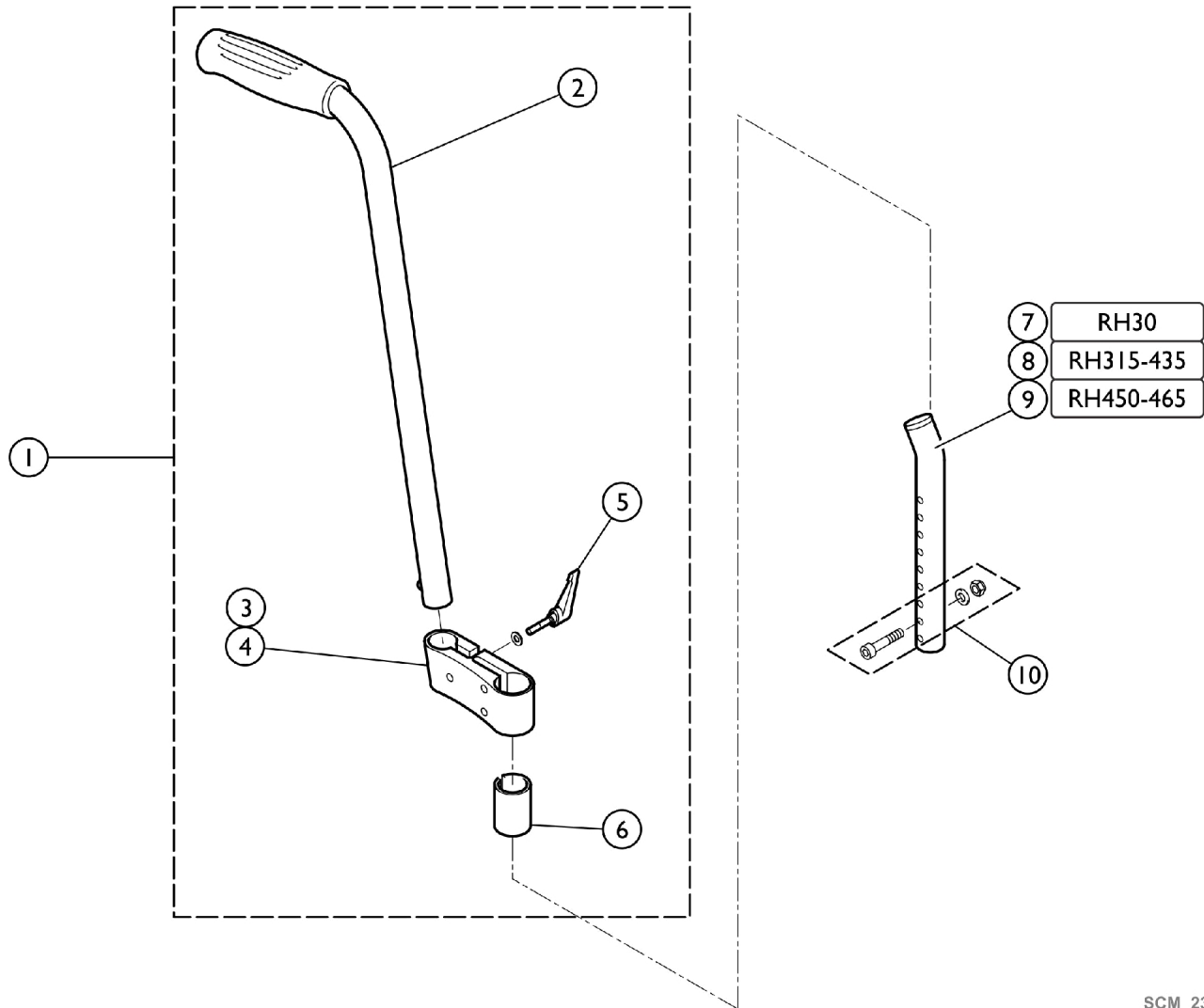


SCM_312A

Backrest - Adjustable Bands

Item Number	Note	Part Number	Description	Quantity Per	
				Package	Assembly
1		1513167	Adjustment Strap w/ One Strap (Pair)	2	1
2		1513168	Adjustment Strap w/ Two Straps (Pair)	2	1
3		1513170	Backrest Band, Two Part, S, Width (5cm)	1	1
4		1513171	Backrest Band, Two Part, Width (10cm)	1	1
5		1432083	Kit, Hardware, Backrest Band	1	1
6		1513172	Adjustable End Part (5 cm)	1	1
7		1513173	Adjustable End Part (10cm)	1	1

Backrest - Rear Set Adjustable Height Push Handles



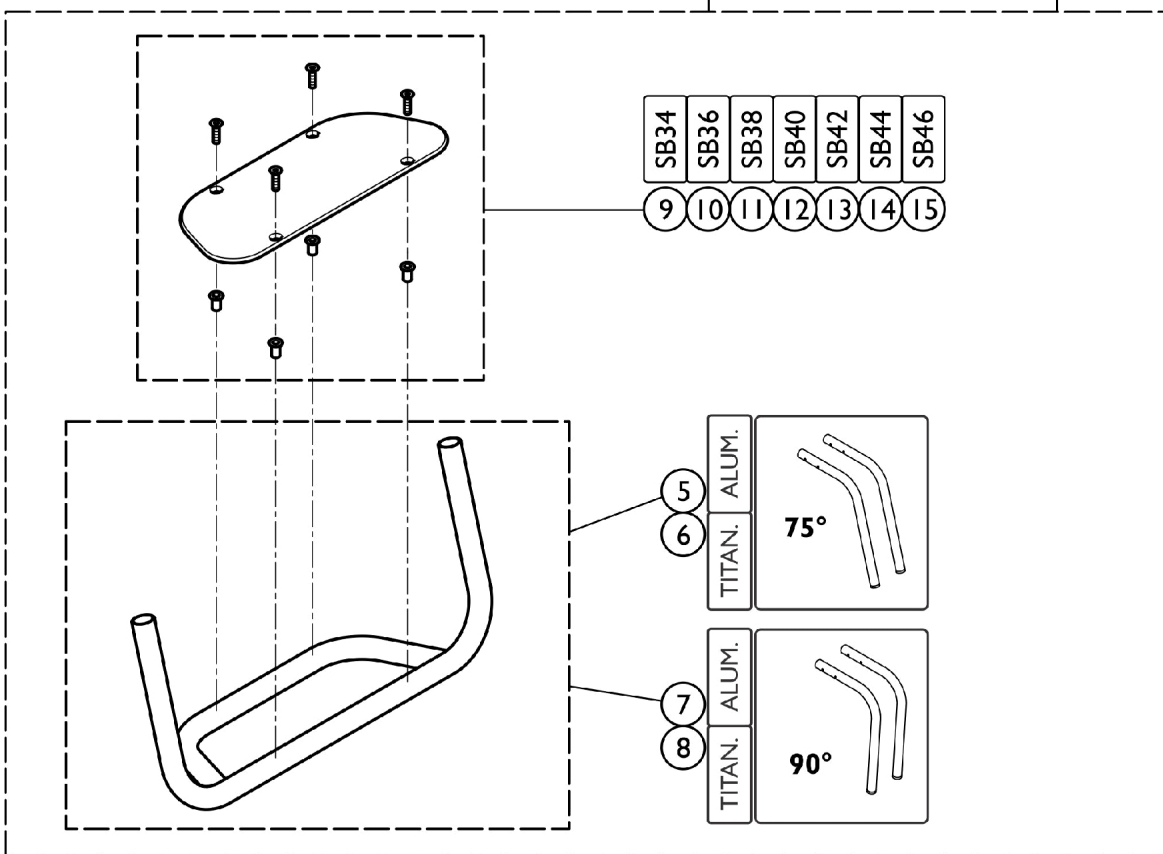
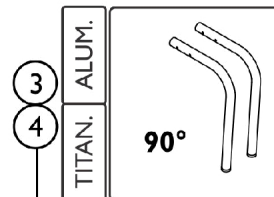
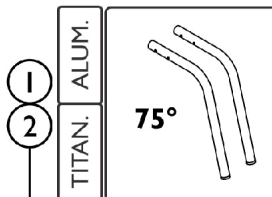
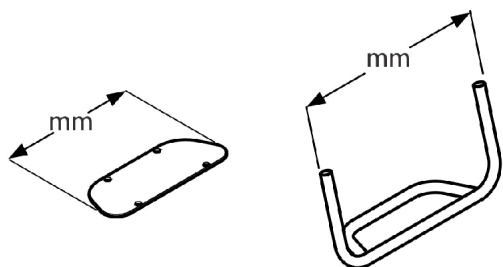
SCM_231A

Backrest - Rear Set Adjustable Height Push Handles

Item Number	Note	Part Number	Description	Quantity Per	
				Package	Assembly
1		1517876	Push Handles, Adjustable Height, Rear Set (Pair)	2	1
2		1438938	Push Handle Tube Complete, Rearset	1	1
3		1438939	Mounting Hardware - Right Complete, Rearset Push Handles	1	1
4		1438940	Mounting Hardware - Left Complete, Rearset Push Handles	1	1
5		1529799	Adjusting Lever (Pair)	2	1
6		1581293	Sleeves, Mounting Hardware, Rearset Push Handles (Pair)	2	1
7		1546913	Telescopic Back Tube, Standard - Short (Pair)	2	1
8		1546914	Telescopic Back Tube, Standard - Medium (Pair)	2	1
9		1546946	Telescopic Back Tube, Standard - Long (Pair)	2	1
10		1588217	Kit, Screw, Backrest Tube	1	1

Footrest - Standard Frame

STANDARD FOOTREST



SCM_315A

Footrest - Standard Frame

Item Number	Note	Part Number	Description	Quantity Per	
				Package	Assembly
1-4		See Chart	Items #1-4. Footrest Assembly	1	1
5-8		See Chart	Items #5-8. Footrest Tube	1	1
9		1561130	Footplate 203mm	1	1
10		1561131	Footplate 223mm	1	1
11		1561132	Footplate 243mm	1	1
12		1561133	Footplate 263mm	1	1
13		1561134	Footplate 283mm	1	1
14		1561135	Footplate 303mm	1	1
15		1561136	Footplate 323mm	1	1

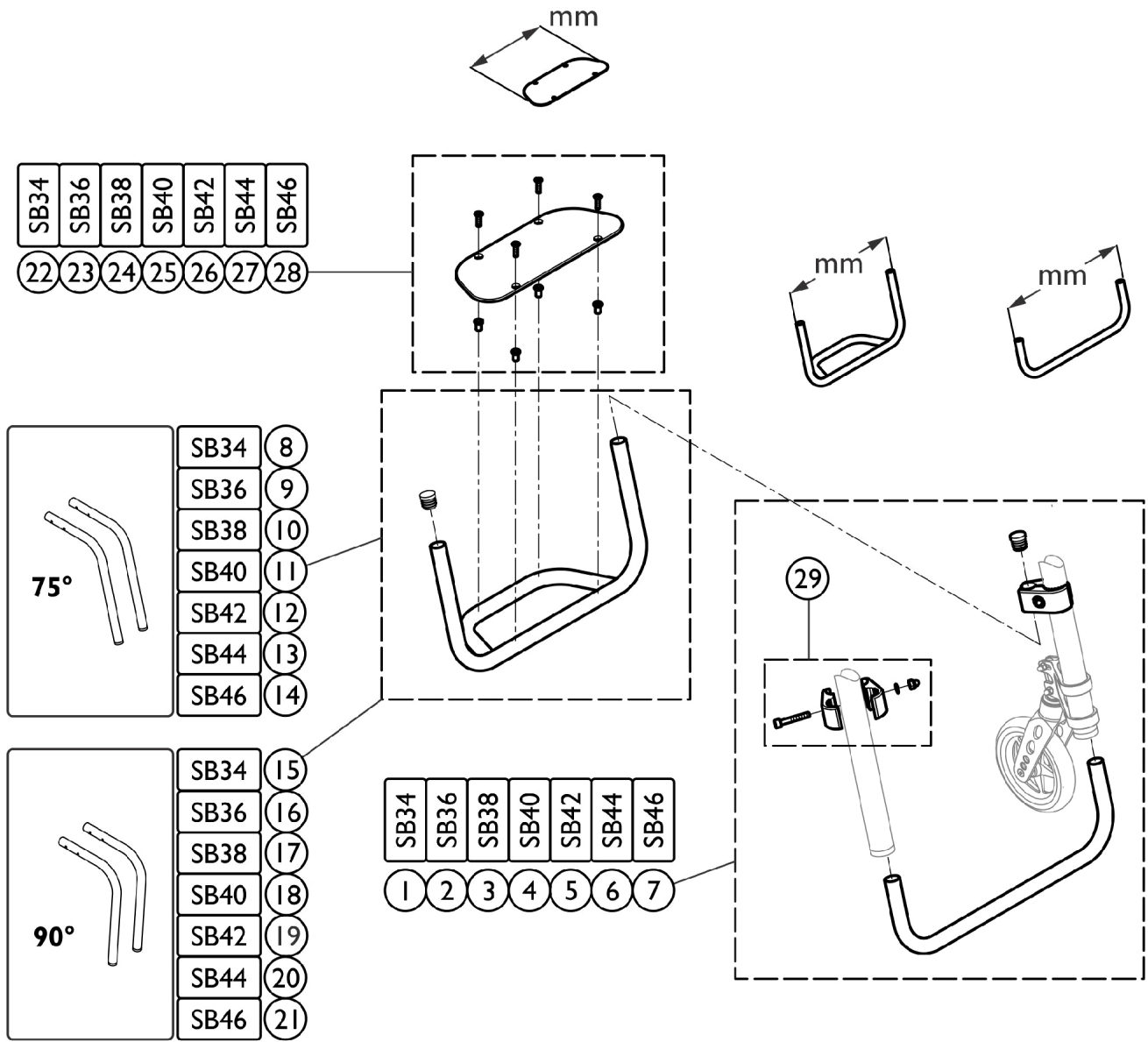
Items #1-4. Footrest Assembly

	75 Degree	75 Degree	90 Degree	90 Degree
Option	Item #1 Aluminum	Item #2 Titanium	Item #3 Aluminum	Item #4 Titanium
SB34	1561090	1561110	1561100	1561120
SB36	1561091	1561111	1561101	1561121
SB38	1561092	1561112	1561102	1561122
SB40	1561093	1561113	1561103	1561123
SB42	1561094	1561114	1561104	1561124
SB44	1561095	1561115	1561105	1561125
SB46	1561096	1561116	1561106	1561126

Items #5-8. Footrest Tube

	75 Degree	75 Degree	90 Degree	90 Degree
Option	Item #5 Aluminum	Item #6 Titanium	Item #7 Aluminum	Item #8 Titanium
SB34	1561031	1561063	1561053	1561073
SB36	1561032	1561064	1561054	1561074
SB38	1561033	1561065	1561055	1561075
SB40	1561046	1561066	1561056	1561076
SB42	1561047	1561067	1561057	1561077
SB44	1561048	1561068	1561058	1561078
SB46	1561049	1561069	1561059	1561086

Footrest - Standard Frame - High Mounted



FOOTREST - STANDARD - HIGHMOUNTED

SCM_321A

Footrest - Standard Frame - High Mounted

Item Number	Note	Part Number	Description	Quantity Per	
				Package	Assembly
1-7		See Chart	Items #1-7. Tube Set	1	1
8-14		See Chart	Items #8-14. 75 Degree Footrest	1	1
15-21		See Chart	Items #15-21. 90 Degree Footrest	1	1
22-28		See Chart	Items #22-28. Footplate	1	1
29		1544613	Kit, Clamping, Footrest, High Mounted (Pair)	2	1

Items #1-7. Tube Set

Item	Size	Part Number
1	SB34	1561215
2	SB36	1561216
3	SB38	1561217
4	SB40	1561218
5	SB42	1561219
6	SB44	1561220
7	SB46	1561221

Items #8-14. 75 Degree Footrest

Item	Size	Part Number
8	SB34	1561224
9	SB36	1561225
10	SB38	1561292
11	SB40	1561293
12	SB42	1561294
13	SB44	1561295
14	SB46	1561296

Footrest - Standard Frame - High Mounted

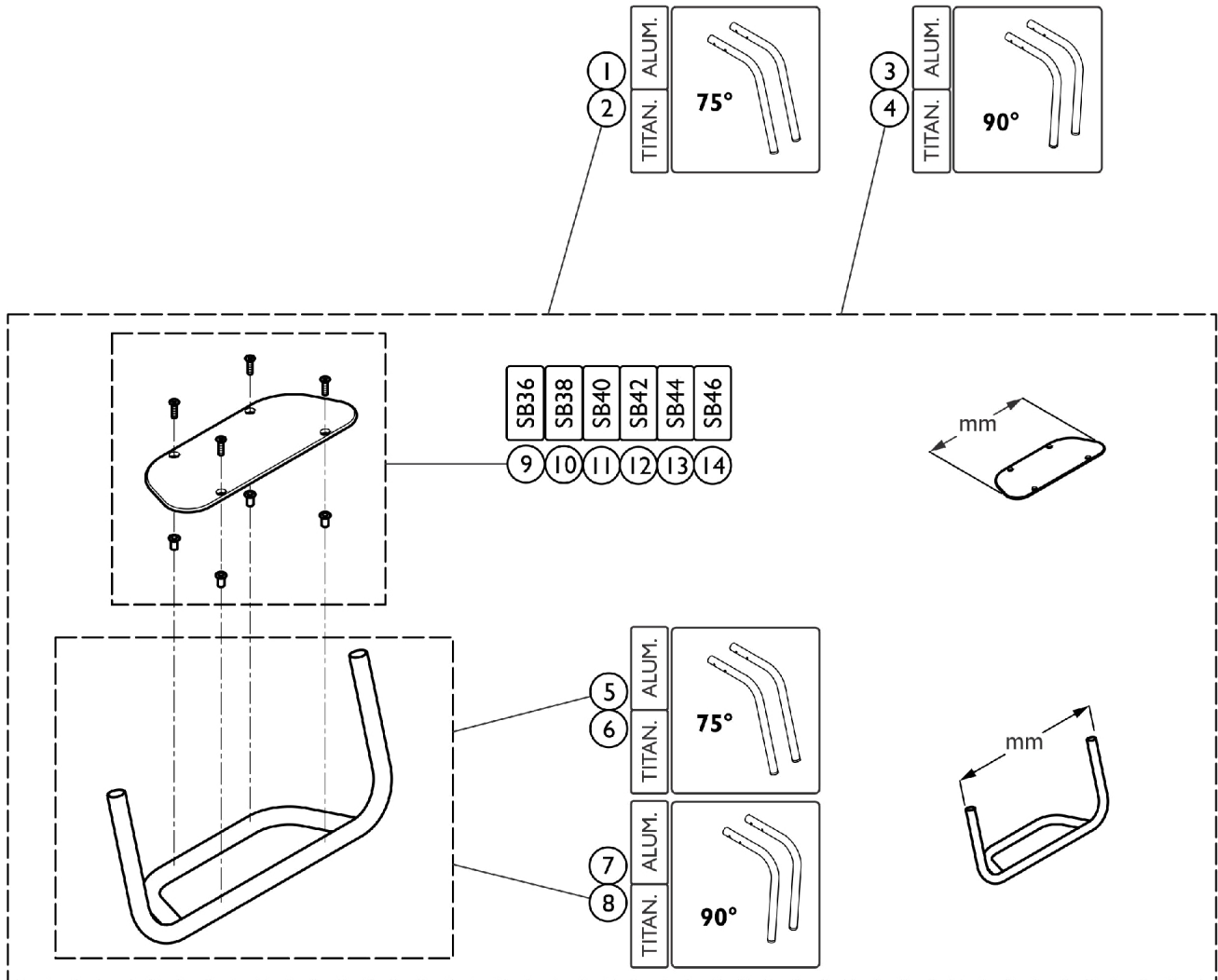
Items #15-21. 90 Degree Footrest

Item	Size	Part Number
15	SB34	1561300
16	SB36	1561301
17	SB38	1561302
18	SB40	1561303
19	SB42	1561304
20	SB44	1561305
21	SB46	1561306

Items #22-28. Footplate

Item	Size	Part Number
22	SB34	1561129
23	SB36	1561130
24	SB38	1561131
25	SB40	1561132
26	SB42	1561133
27	SB44	1561134
28	SB46	1561221

Footrest - Adducted Frame



FOOTREST - STANDARD - ADDUCTED FRAME

SCM_319A

Footrest - Adducted Frame

Item Number	Note	Part Number	Description	Quantity Per	
				Package	Assembly
1 - 4		See Chart	Items #1-4. Footrest - Adducted Frame (Aluminum and Titanium)	1	1
5 - 8		See Chart	Items #5-8. Footrest - Adducted Frame (Aluminum and Titanium)	1	1
9		1561129	Footplate 183mm	1	1
10		1561130	Footplate 203mm	1	1
11		1561131	Footplate 223mm	1	1
12		1561132	Footplate 243mm	1	1
13		1561133	Footplate 263mm	1	1
14		1561134	Footplate 283mm	1	1

Items #1-4. Footrest - Adducted Frame (Aluminum and Titanium)

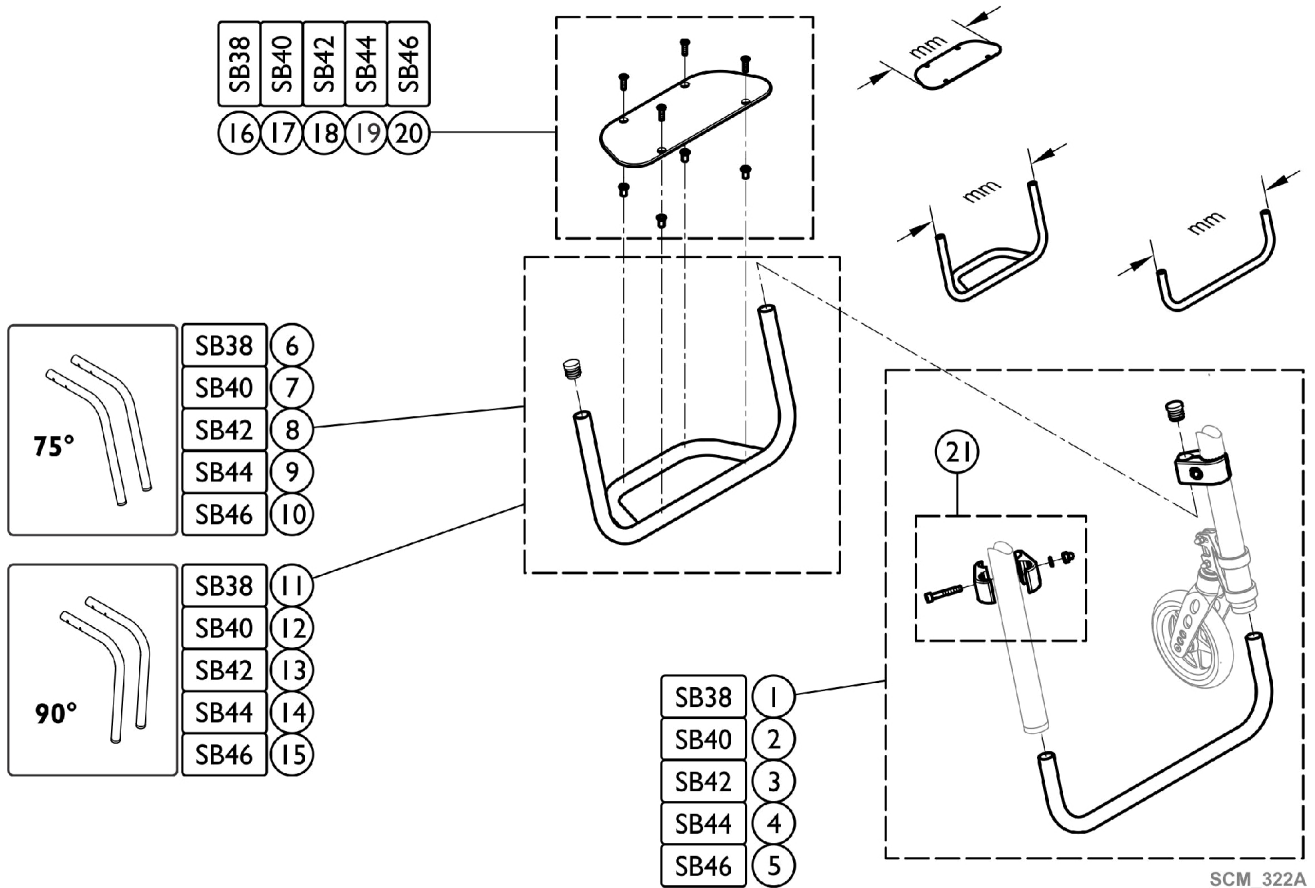
	75 Degree	75 Degree	90 Degree	90 Degree
Size	Item #1 Aluminum	Item #2 Titanium	Item #3 Aluminum	Item #4 Titanium
SB36	1561089	1561109	1561099	1561119
SB38	1561090	1561110	1561100	1561120
SB40	1561091	1561111	1561101	1561121
SB42	1561092	1561112	1561102	1561122
SB44	1561093	1561113	1561103	1561123
SB46	1561094	1561114	1561104	1561124

Items #5-8. Footrest - Adducted Frame (Aluminum and Titanium)

	75 Degree	75 Degree	90 Degree	90 Degree
Size	Item #5 Aluminum	Item #6 Titanium	Item #7 Aluminum	Item #8 Titanium
SB36	1561030	1561062	1561052	1561072
SB38	1561031	1561063	1561053	1561073
SB40	1561032	1561064	1561054	1561074
SB42	1561033	1561065	1561055	1561075
SB44	1561046	1561066	1561056	1561076
SB46	1561047	1561067	1561057	1561077

Footrest - Adducted Frame - High Mounted

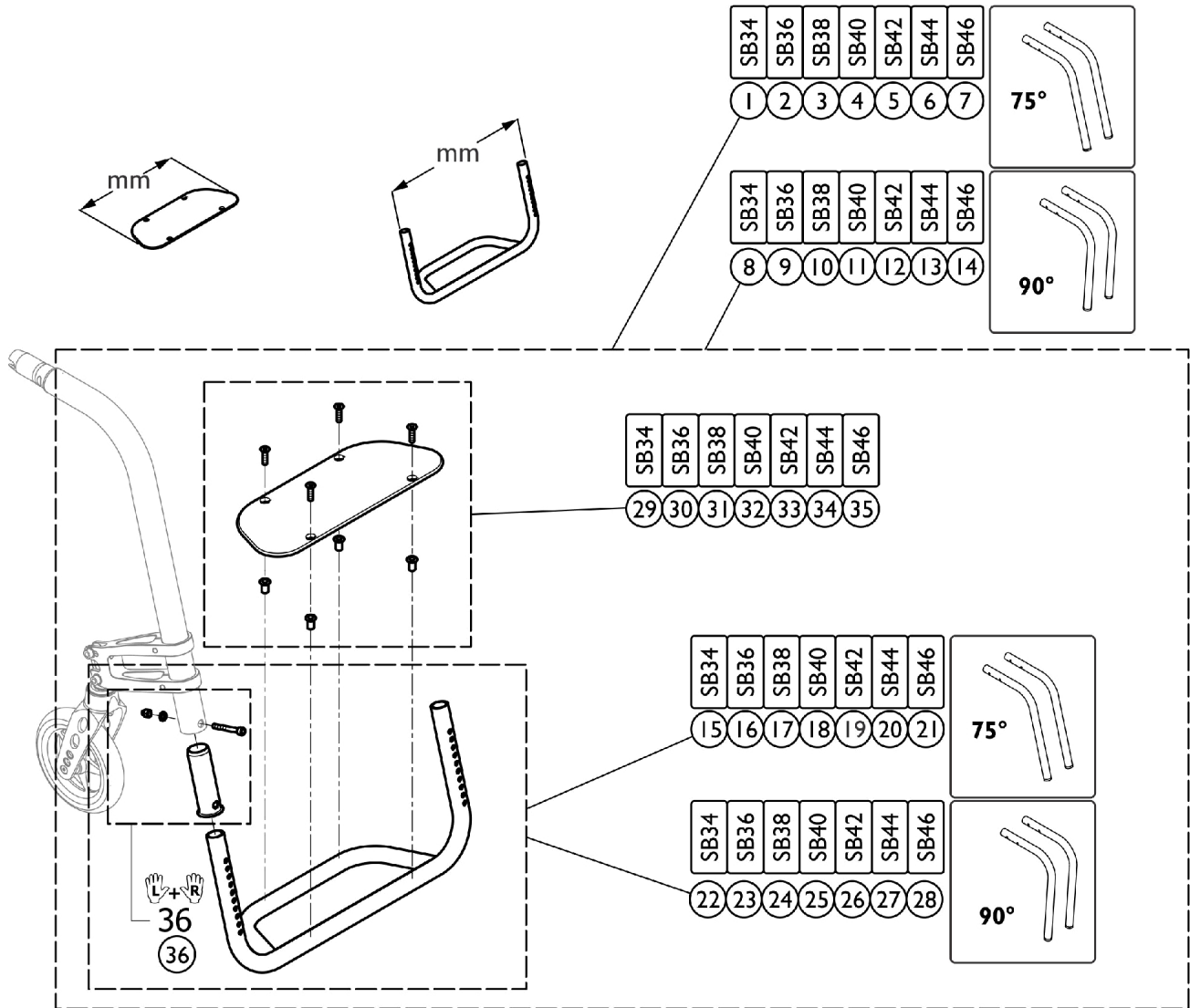
ANGLE ADJUSTABLE - HIGHMOUNTED



Footrest - Adducted Frame - High Mounted

Item Number	Note	Part Number	Description	Quantity Per	
				Package	Assembly
1		1561215	Footrest - Adducted Frame - High Mounted	1	1
2		1561216	Tube Set, Footrest, High Position, 335mm	1	1
3		1561217	Tube Set, Footrest, High Position, 355mm	1	1
4		1561218	Tube Set, Footrest, High Position, 375mm	1	1
5		1561219	Tube Set, Footrest, High Position, 395mm	1	1
6		1561224	Footrest, Aluminum 295mm, Frame 75° Footrest, High Mount	1	1
7		1561225	Footrest, Aluminum 315mm, Frame 75° Footrest, High Mount	1	1
8		1561292	Footrest, Aluminum 335mm, Frame 75° Footrest, High Mount	1	1
9		1561293	Footrest, Aluminum 355mm, Frame 75° Footrest, High Mount	1	1
10		1561294	Footrest, Aluminum 375mm, Frame 75° Footrest, High Mount	1	1
11		1561300	Footrest, Aluminum 295mm, Frame 90° Footrest, High Mount	1	1
12		1561301	Footrest, Aluminum 315mm, Frame 90° Footrest, High Mount	1	1
13		1561302	Footrest, Aluminum 335mm, Frame 90° Footrest, High Mount	1	1
14		1561303	Footrest, Aluminum 355mm, Frame 90° Footrest, High Mount	1	1
15		1561304	Footrest, Aluminum 375mm, Frame 90° Footrest, High Mount	1	1
16		1561129	Footplate 183mm	1	1
17		1561130	Footplate 203mm	1	1
18		1561131	Footplate 223mm	1	1
19		1561132	Footplate 243mm	1	1
20		1561133	Footplate 263mm	1	1
21		1544613	Kit, Clamping, Footrest, High Mounted (Pair)	2	1

Footrest - Quick Release Frame - Standard



SCM_363A

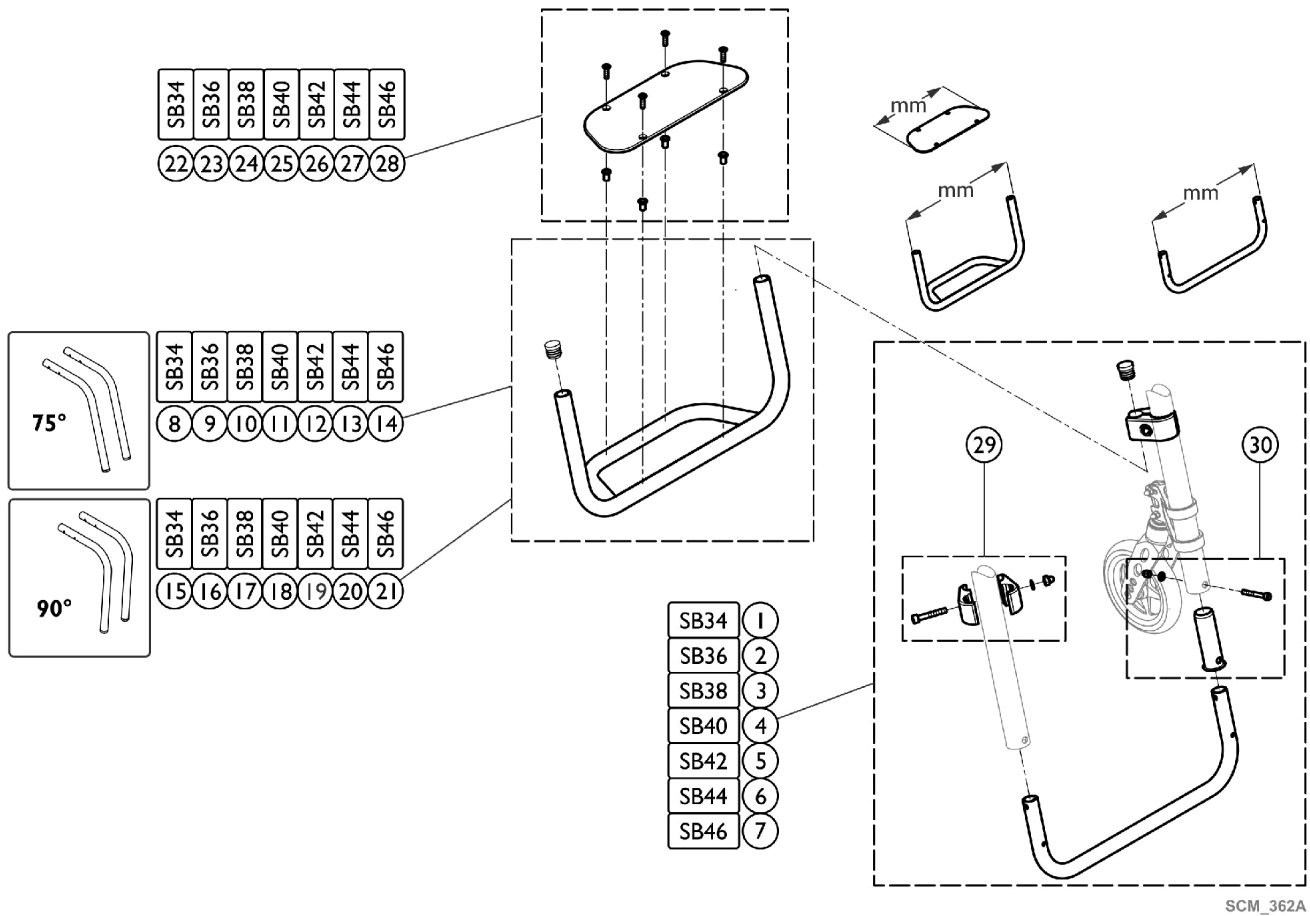
Footrest - Quick Release Frame - Standard

Item Number	Note	Part Number	Description	Quantity Per	
				Package	Assembly
1		1567324	Footrest, Aluminum 316mm w/ Plate, Quick Release Frame 75°	1	1
2		1567325	Footrest, Aluminum 336mm w/ Plate, Quick Release Frame 75°	1	1
3		1567326	Footrest, Aluminum 356mm w/ Plate, Quick Release Frame 75°	1	1
4		1567327	Footrest, Aluminum 376mm w/ Plate, Quick Release Frame 75°	1	1
5		1567328	Footrest, Aluminum 396mm w/ Plate, Quick Release Frame 75°	1	1
6		1567329	Footrest, Aluminum 416mm w/ Plate, Quick Release Frame 75°	1	1
7		1567330	Footrest, Aluminum 436mm w/ Plate, Quick Release Frame 75°	1	1
8		1567332	Footrest, Aluminum 316mm w/ Plate, Quick Release Frame 90°	1	1
9		1567333	Footrest, Aluminum 336mm w/ Plate, Quick Release Frame 90°	1	1
10		1567334	Footrest, Aluminum 356mm w/ Plate, Quick Release Frame 90°	1	1
11		1567335	Footrest, Aluminum 376mm w/ Plate, Quick Release Frame 90°	1	1
12		1567336	Footrest, Aluminum 396mm w/ Plate, Quick Release Frame 90°	1	1
13		1567399	Footrest, Aluminum 416mm w/ Plate, Quick Release Frame 90°	1	1
14		1567400	Footrest, Aluminum 436mm w/ Plate, Quick Release Frame 90°	1	1
15		1567402	Footrest, Aluminum 316mm Quick Release Frame 75°	1	1
16		1567403	Footrest, Aluminum 336mm Quick Release Frame 75°	1	1
17		1567404	Footrest, Aluminum 356mm Quick Release Frame 75°	1	1
18		1567405	Footrest, Aluminum 376mm Quick Release Frame 75°	1	1
19		1567406	Footrest, Aluminum 396mm Quick Release Frame 75°	1	1
20		1567407	Footrest, Aluminum 416mm Quick Release Frame 75°	1	1
21		1567521	Footrest, Aluminum 436mm Quick Release Frame 75°	1	1
22		1567523	Footrest, Aluminum 316mm Quick Release Frame 90°	1	1
23		1567524	Footrest, Aluminum 336mm Quick Release Frame 90°	1	1
24		1567525	Footrest, Aluminum 356mm Quick Release Frame 90°	1	1

Footrest - Quick Release Frame - Standard

Item Number	Note	Part Number	Description	Quantity Per	
				Package	Assembly
25		1567690	Footrest, Aluminum 376mm Quick Release Frame 90°	1	1
26		1567691	Footrest, Aluminum 396mm Quick Release Frame 90°	1	1
27		1567692	Footrest, Aluminum 416mm Quick Release Frame 90°	1	1
28		1567693	Footrest, Aluminum 436mm Quick Release Frame 90°	1	1
29		1561130	Footplate 203mm	1	1
30		1561131	Footplate 223mm	1	1
31		1561132	Footplate 243mm	1	1
32		1561133	Footplate 263mm	1	1
33		1561134	Footplate 283mm	1	1
34		1561135	Footplate 303mm	1	1
35		1561136	Footplate 323mm	1	1
36		1567694	Footrest Sleeve (Pair)	2	1

Footrest - Quick Release Frame - Standard High Mounted



SCM_362A

Footrest - Quick Release Frame - Standard High Mounted

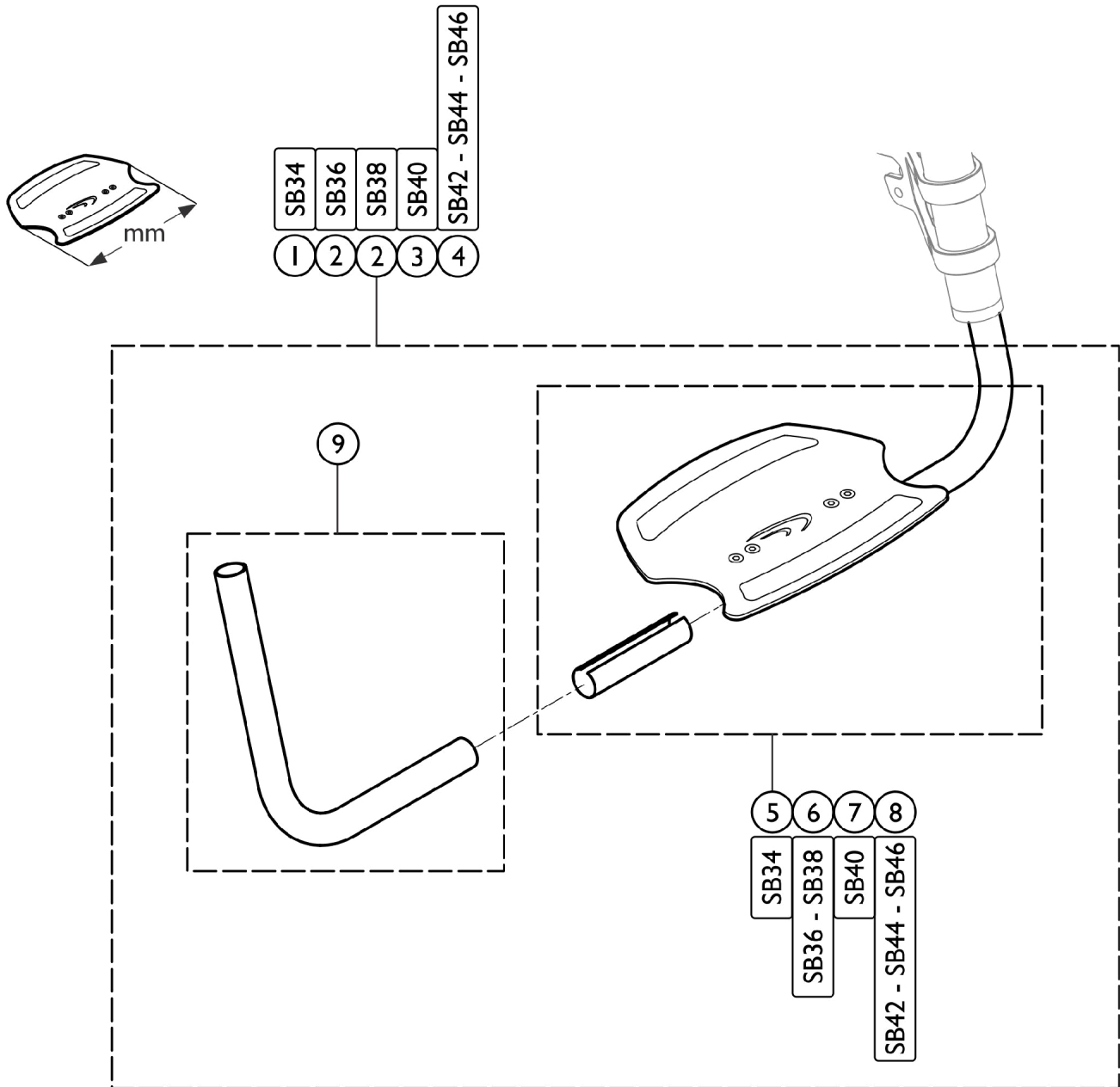
Item Number	Note	Part Number	Description	Quantity Per	
				Package	Assembly
1		1567695	Tube Set 316mm, Footrest, High Position Mount, Quick Release Frame	1	1
2		1567696	Tube Set 336mm, Footrest, High Position Mount, Quick Release Frame	1	1
3		1567697	Tube Set 356mm, Footrest, High Position Mount, Quick Release Frame	1	1
4		1567708	Tube Set 376mm, Footrest, High Position Mount, Quick Release Frame	1	1
5		1567709	Tube Set 396mm, Footrest, High Position Mount, Quick Release Frame	1	1
6		1567710	Tube Set 416mm, Footrest, High Position Mount, Quick Release Frame	1	1
7		1567711	Tube Set 436mm, Footrest, High Position Mount, Quick Release Frame	1	1
8		1561224	Footrest, Aluminum 295mm, Frame 75° Footrest, High Mount	1	1
9		1561225	Footrest, Aluminum 315mm, Frame 75° Footrest, High Mount	1	1
10		1561292	Footrest, Aluminum 335mm, Frame 75° Footrest, High Mount	1	1
11		1561293	Footrest, Aluminum 355mm, Frame 75° Footrest, High Mount	1	1
12		1561294	Footrest, Aluminum 375mm, Frame 75° Footrest, High Mount	1	1
13		1561295	Footrest, Aluminum 395mm, Frame 75° Footrest, High Mount	1	1
14		1561296	Footrest, Aluminum 415mm, Frame 75° Footrest, High Mount	1	1
15		1561300	Footrest, Aluminum 295mm, Frame 90° Footrest, High Mount	1	1
16		1561301	Footrest, Aluminum 315mm, Frame 90° Footrest, High Mount	1	1
17		1561302	Footrest, Aluminum 335mm, Frame 90° Footrest, High Mount	1	1
18		1561303	Footrest, Aluminum 355mm, Frame 90° Footrest, High Mount	1	1
19		1561304	Footrest, Aluminum 375mm, Frame 90° Footrest, High Mount	1	1
20		1561305	Footrest, Aluminum 395mm, Frame 90° Footrest, High Mount	1	1
21		1561306	Footrest, Aluminum 415mm, Frame 90° Footrest, High Mount	1	1
22		1561129	Footplate 183mm	1	1
23		1561130	Footplate 203mm	1	1
24		1561131	Footplate 223mm	1	1
25		1561132	Footplate 243mm	1	1
26		1561133	Footplate 263mm	1	1
27		1561134	Footplate 283mm	1	1

Footrest - Quick Release Frame - Standard High Mounted

Item Number	Note	Part Number	Description	Quantity Per	
				Package	Assembly
28		1561135	Footplate 303mm	1	1
29		1544613	Kit, Clamping, Footrest, High Mounted (Pair)	2	1
30		1567694	Footrest Sleeve (Pair)	2	1

Footrest - Adjustable Angle - Standard Frame

ANGLE ADJUSTABLE - STANDARD FRAMES



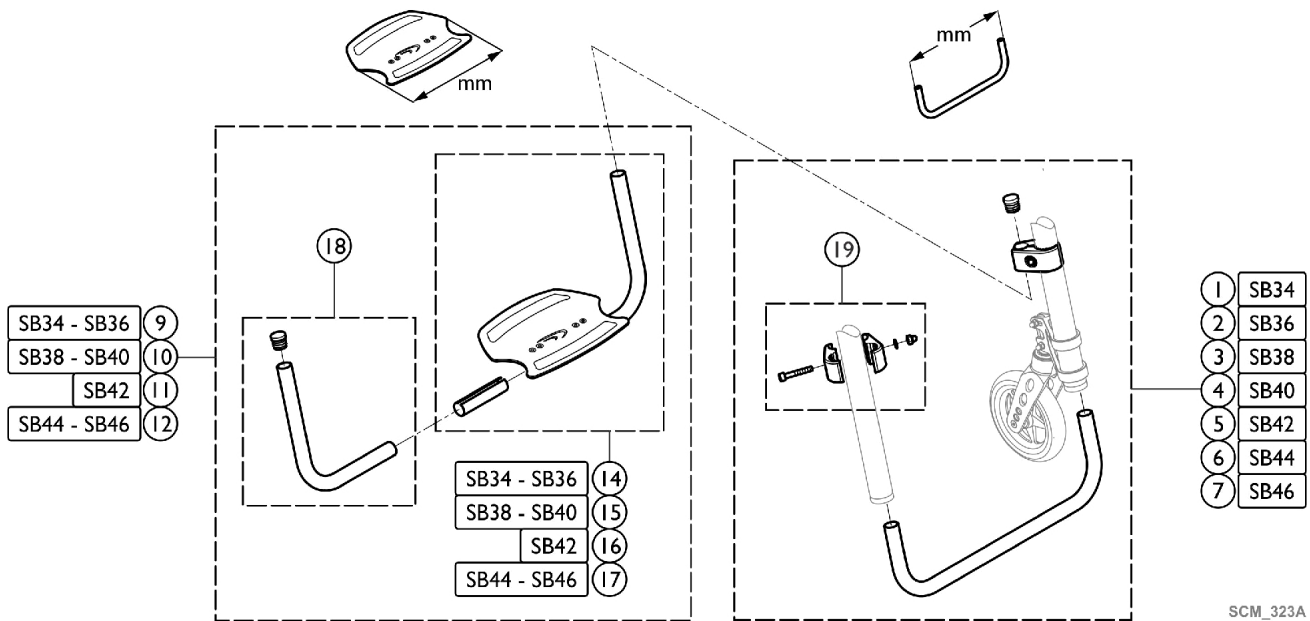
SCM_316A

Footrest - Adjustable Angle - Standard Frame

Item Number	Note	Part Number	Description	Quantity Per	
				Package	Assembly
1		1561206	Footrest, Adjustable Angle 222mm, Complete	1	1
2		1561207	Footrest, Adjustable Angle 250mm, Complete	1	1
3		1561208	Footrest, Adjustable Angle 280mm, Complete	1	1
4		1561209	Footrest, Adjustable Angle 308mm, Complete	1	1
5		1561143	Footplate 222mm w/ Clamping Part	1	1
6		1561144	Footplate 250mm w/ Clamping Part	1	1
7		1561145	Footplate 280mm w/ Clamping Part	1	1
8		1561204	Footplate 308mm w/ Clamping Part	1	1
9		1561210	Kit, Telescopic Footrest, Adjustable Angle (Pair)	2	1

Footrest - Adjustable Angle - Standard High Mounted

ANGLE ADJUSTABLE - STANDARD - HIGHMOUNTED



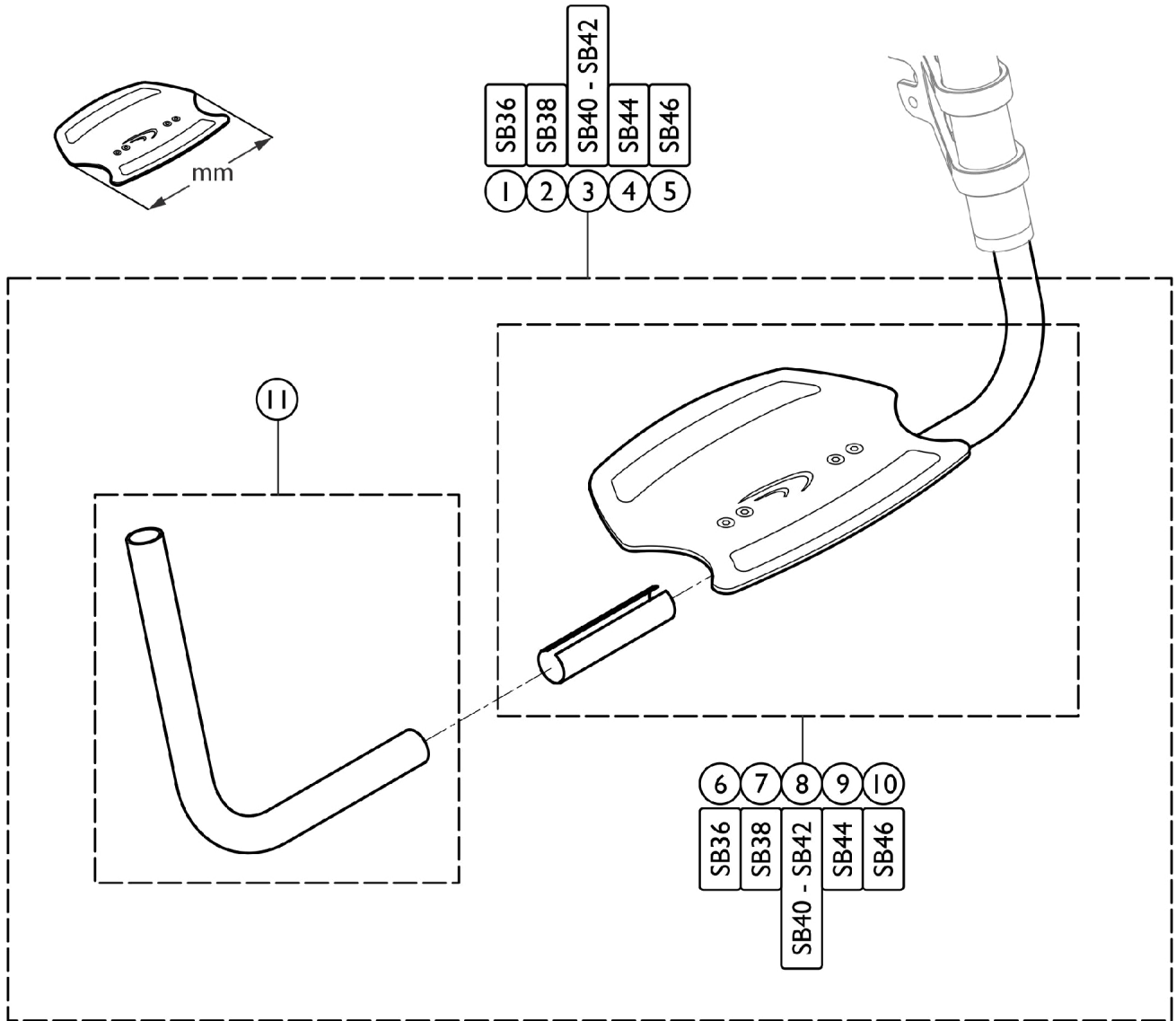
SCM_323A

Footrest - Adjustable Angle - Standard High Mounted

Item Number	Note	Part Number	Description	Quantity Per	
				Package	Assembly
1		1561215	Tube Set, Footrest, High Position, 315mm	1	1
2		1561216	Tube Set, Footrest, High Position, 335mm	1	1
3		1561217	Tube Set, Footrest, High Position, 355mm	1	1
4		1561218	Tube Set, Footrest, High Position, 375mm	1	1
5		1561219	Tube Set, Footrest, High Position, 395mm	1	1
6		1561220	Tube Set, Footrest, High Position, 415mm	1	1
7		1561221	Tube Set, Footrest, High Position, 435mm	1	1
9		1561313	Footrest, Adjustable Angle 222mm Footrest, High Mount	1	1
10		1561314	Footrest, Adjustable Angle 250mm Footrest, High Mount	1	1
11		1561315	Footrest, Adjustable Angle 280mm Footrest, High Mount	1	1
12		1561316	Footrest, Adjustable Angle 308mm Footrest, High Mount	1	1
14		1561143	Footplate 222mm w/ Clamping Part	1	1
15		1561144	Footplate 250mm w/ Clamping Part	1	1
16		1561145	Footplate 280mm w/ Clamping Part	1	1
17		1561204	Footplate 308mm w/ Clamping Part	1	1
18		1561317	Telescopic kit, Footrest, Adjustable Angle mounted in high position	1	1
19		1544613	Kit, Clamping, Footrest, High Mounted (Pair)	2	1

Footrest - Adjustable Angle - Adducted Frame

ADJUSTABLE ANGLE - ADDUCTED FRAMES



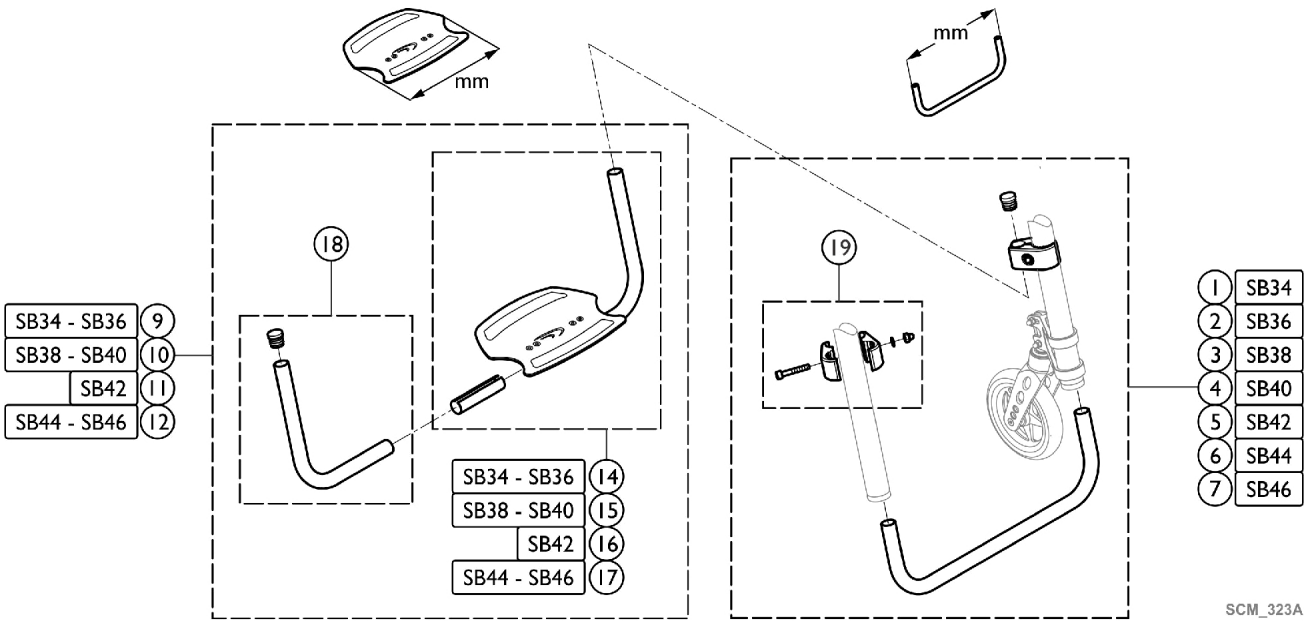
SCM_320A

Footrest - Adjustable Angle - Adducted Frame

Item Number	Note	Part Number	Description	Quantity Per	
				Package	Assembly
1		1561205	Footrest, Adjustable Angle 193mm, Complete	1	1
2		1561206	Footrest, Adjustable Angle 222mm, Complete	1	1
3		1561207	Footrest, Adjustable Angle 250mm, Complete	1	1
4		1561208	Footrest, Adjustable Angle 280mm, Complete	1	1
5		1561209	Footrest, Adjustable Angle 308mm, Complete	1	1
6		1561142	Footplate 193mm w/ Clamping Part	1	1
7		1561143	Footplate 222mm w/ Clamping Part	1	1
8		1561144	Footplate 250mm w/ Clamping Part	1	1
9		1561145	Footplate 280mm w/ Clamping Part	1	1
10		1561204	Footplate 308mm w/ Clamping Part	1	1
11		1561210	Kit, Telescopic Footrest, Adjustable Angle (Pair)	2	1

Footrest - Adjustable Angle - Adducted High Mounted

ANGLE ADJUSTABLE - STANDARD - HIGHMOUNTED



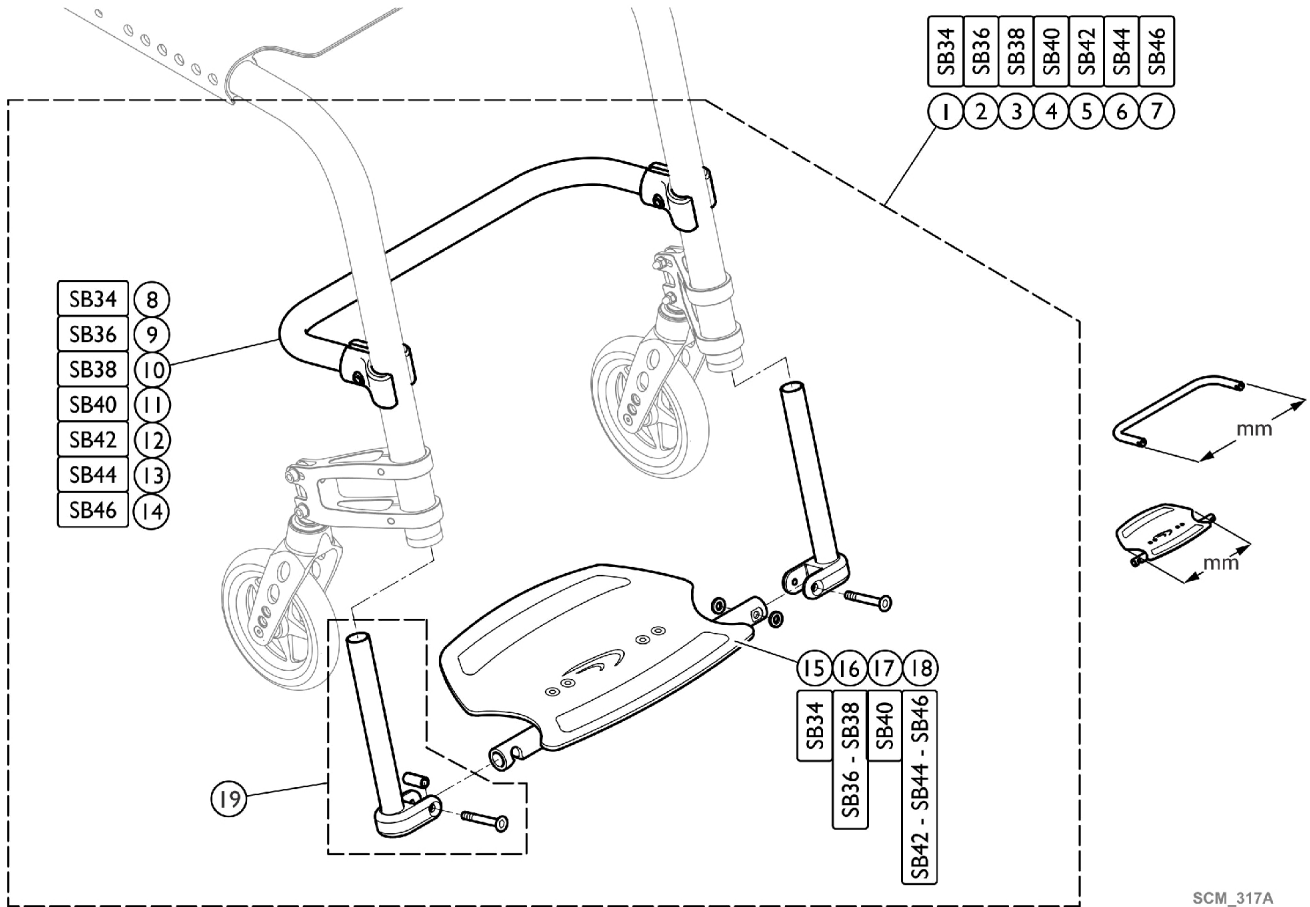
SCM_323A

Footrest - Adjustable Angle - Adducted High Mounted

Item Number	Note	Part Number	Description	Quantity Per	
				Package	Assembly
1		1561215	Tube Set, Footrest, High Position, 315mm	1	1
2		1561216	Tube Set, Footrest, High Position, 335mm	1	1
3		1561217	Tube Set, Footrest, High Position, 355mm	1	1
4		1561218	Tube Set, Footrest, High Position, 375mm	1	1
5		1561219	Tube Set, Footrest, High Position, 395mm	1	1
6		1561220	Tube Set, Footrest, High Position, 415mm	1	1
7		1561221	Tube Set, Footrest, High Position, 435mm	1	1
9		1561313	Footrest, Adjustable Angle 222mm Footrest, High Mount	1	1
10		1561314	Footrest, Adjustable Angle 250mm Footrest, High Mount	1	1
11		1561315	Footrest, Adjustable Angle 280mm Footrest, High Mount	1	1
12		1561316	Footrest, Adjustable Angle 308mm Footrest, High Mount	1	1
14		1561143	Footplate 222mm w/ Clamping Part	1	1
15		1561144	Footplate 250mm w/ Clamping Part	1	1
16		1561145	Footplate 280mm w/ Clamping Part	1	1
17		1561204	Footplate 308mm w/ Clamping Part	1	1
18		1561317	Telescopic kit, Footrest, Adjustable Angle mounted in high position	1	1
19		1544613	Kit, Clamping, Footrest, High Mounted (Pair)	2	1

Footrest - Flip Up - Standard Frame

FLIP TO SIDE - STANDARD FRAMES



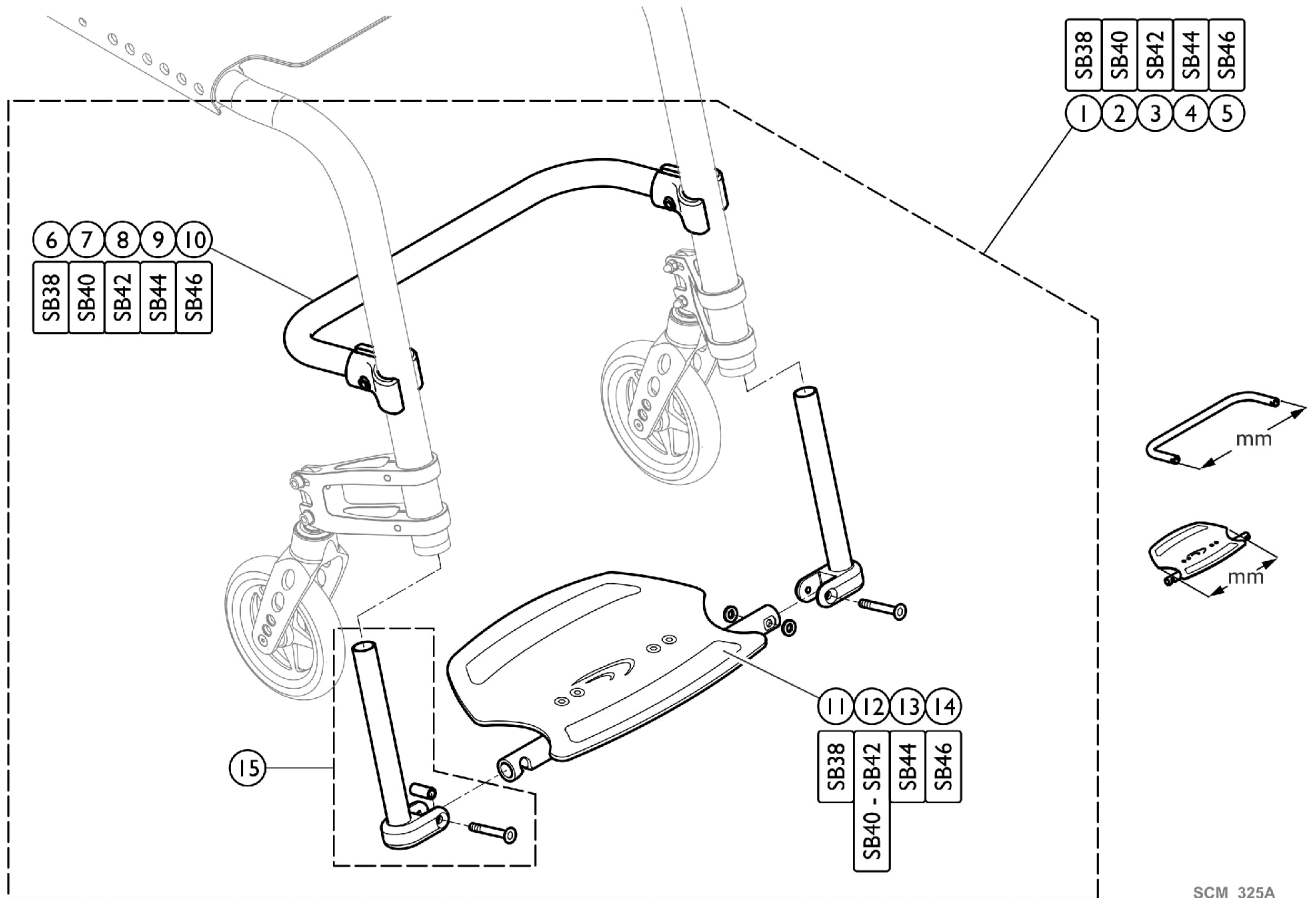
SCM_317A

Footrest - Flip Up - Standard Frame

Item Number	Note	Part Number	Description	Quantity Per	
				Package	Assembly
1		1561318	Footrest, Flip-to-Side w/ Reinforcement Bar 316mm Complete	1	1
2		1561319	Footrest, Flip-to-Side w/ Reinforcement Bar 336mm Complete	1	1
3		1561320	Footrest, Flip-to-Side w/ Reinforcement Bar 356mm Complete	1	1
4		1561393	Footrest, Flip-to-Side w/ Reinforcement Bar 376mm Complete	1	1
5		1561394	Footrest, Flip-to-Side w/ Reinforcement Bar 396mm Complete	1	1
6		1561511	Footrest, Flip-to-Side w/ Reinforcement Bar 416mm Complete	1	1
7		1561512	Footrest, Flip-to-Side w/ Reinforcement Bar 436mm Complete	1	1
8		1561513	Reinforcement Bar 316mm, Flip-to-Side Footrest	1	1
9		1561514	Reinforcement Bar 336mm Flip-to-Side Footrest	1	1
10		1561515	Reinforcement Bar 356mm Flip-to-Side Footrest	1	1
11		1561516	Reinforcement Bar 376mm Flip-to-Side Footrest	1	1
12		1561517	Reinforcement Bar 396mm Flip-to-Side Footrest	1	1
13		1561518	Reinforcement Bar 416mm Flip-to-Side Footrest	1	1
14		1561519	Reinforcement Bar 436mm Flip-to-Side Footrest	1	1
15		1561520	Footplate 222mm Flip-to-Side Footrest	1	1
16		1561521	Footplate 250mm Flip-to-Side Footrest	1	1
17		1561522	Footplate 280mm Flip-to-Side Footrest	1	1
18		1561523	Footplate 308mm Flip-to-Side Footrest	1	1
19		1561524	Kit, Telescopic Flip-to-Side Footrest	1	1

Footrest - Flip Up - Adducted Frame

FLIP TO SIDE - ADDUCTED FRAME

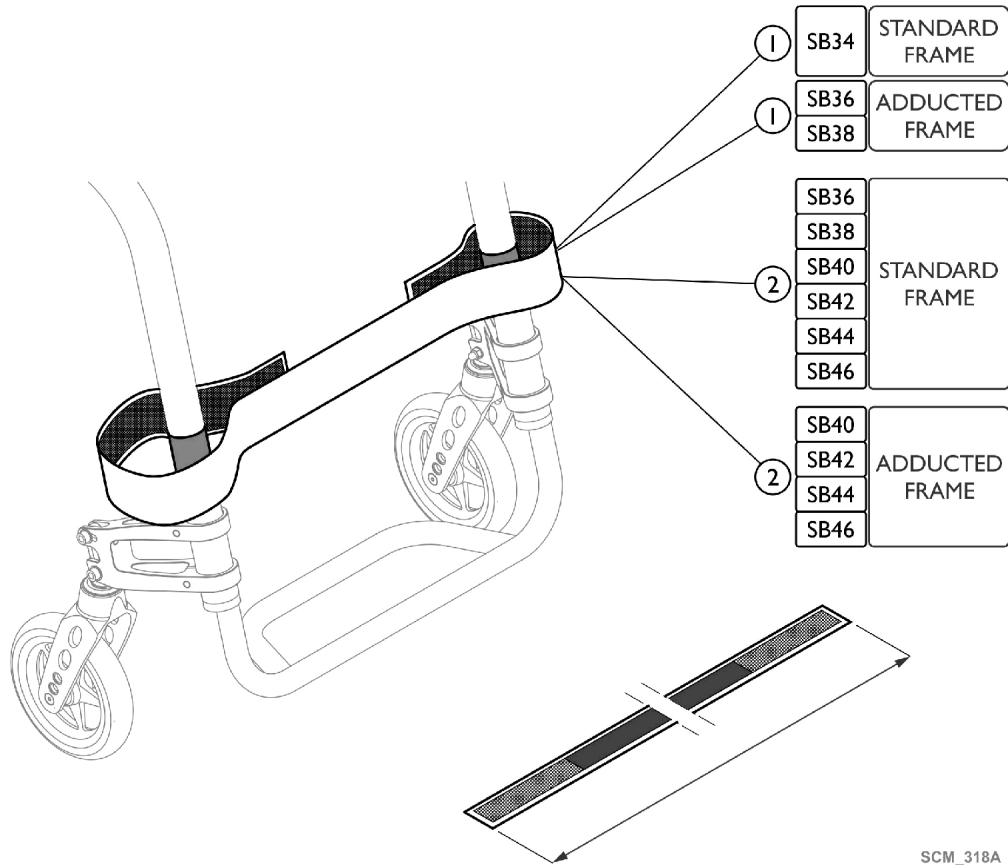


SCM_325A

Footrest - Flip Up - Adducted Frame

Item Number	Note	Part Number	Description	Quantity Per	
				Package	Assembly
1		1561318	Footrest, Flip-to-Side w/ Reinforcement Bar 316mm Complete	1	1
2		1561319	Footrest, Flip-to-Side w/ Reinforcement Bar 336mm Complete	1	1
3		1561320	Footrest, Flip-to-Side w/ Reinforcement Bar 356mm Complete	1	1
4		1561393	Footrest, Flip-to-Side w/ Reinforcement Bar 376mm Complete	1	1
5		1561394	Footrest, Flip-to-Side w/ Reinforcement Bar 396mm Complete	1	1
6		1561513	Reinforcement Bar 316mm, Flip-to-Side Footrest	1	1
7		1561514	Reinforcement Bar 336mm Flip-to-Side Footrest	1	1
8		1561515	Reinforcement Bar 356mm Flip-to-Side Footrest	1	1
9		1561516	Reinforcement Bar 376mm Flip-to-Side Footrest	1	1
10		1561517	Reinforcement Bar 396mm Flip-to-Side Footrest	1	1
11		1561520	Footplate 222mm Flip-to-Side Footrest	1	1
12		1561521	Footplate 250mm Flip-to-Side Footrest	1	1
13		1561522	Footplate 280mm Flip-to-Side Footrest	1	1
14		1561523	Footplate 308mm Flip-to-Side Footrest	1	1
15		1561524	Kit, Telescopic Flip-to-Side Footrest	1	1

Footrest - Calf Straps



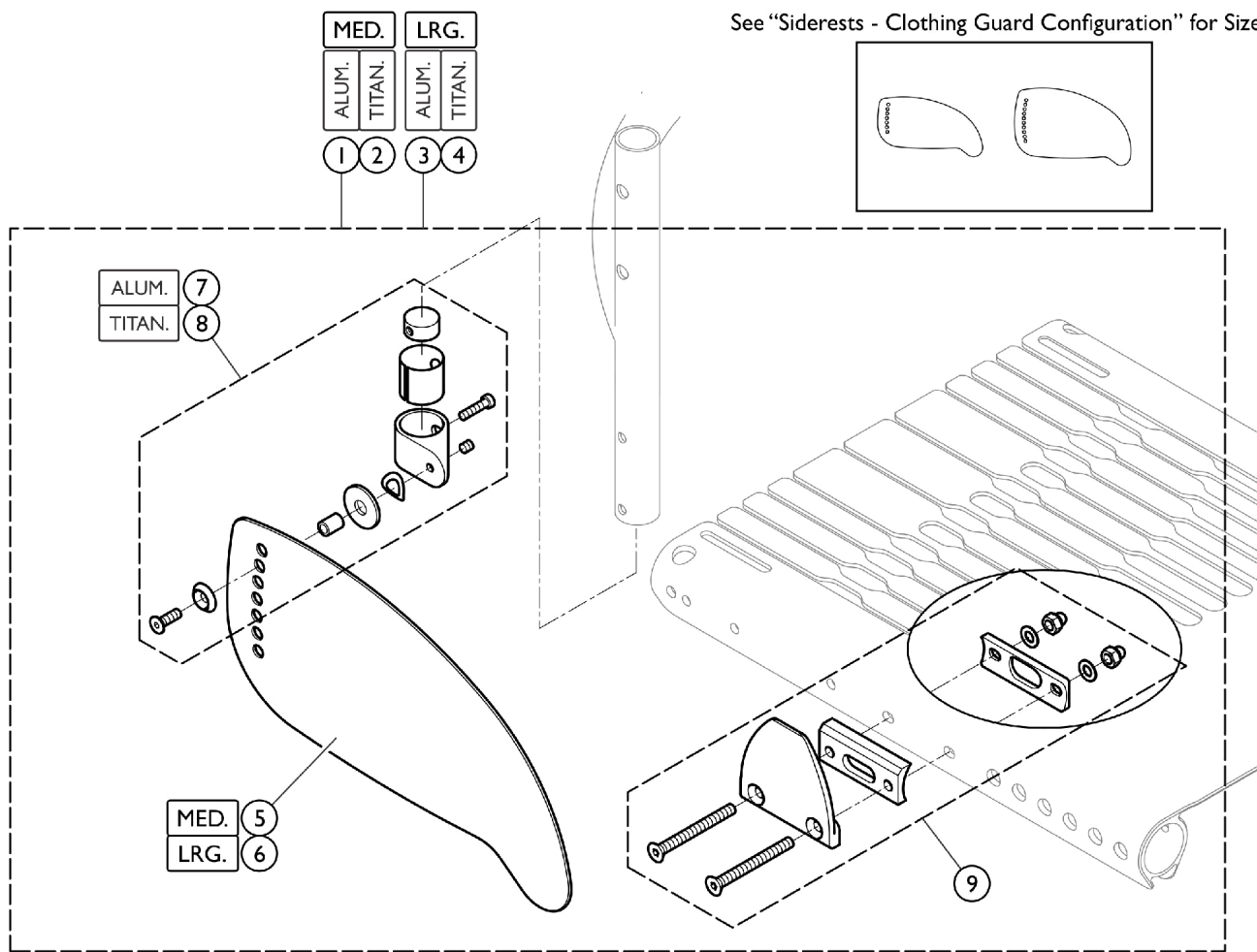
SCM_318A

Item Number	Note	Part Number	Description	Quantity Per	
				Package	Assembly
1	A	1561528	Calf Strap, Complete (780mm)	1	1
2	B	1561529	Calf Strap, Complete (940mm)	1	1

NOTE: A - Used with SB34 Standard Frames and SB36-SB38 Adducted Frames.
 B - Used with SB36 - SB46 Standard Frames and SB40 - SB46 Adducted Frames.

Siderests - Clothes Guards

See Category "Siderests - Clothes Guard Sizing" to make proper Clothes Guard Selections.



See "Siderests - Clothing Guard Configuration" for Sizes

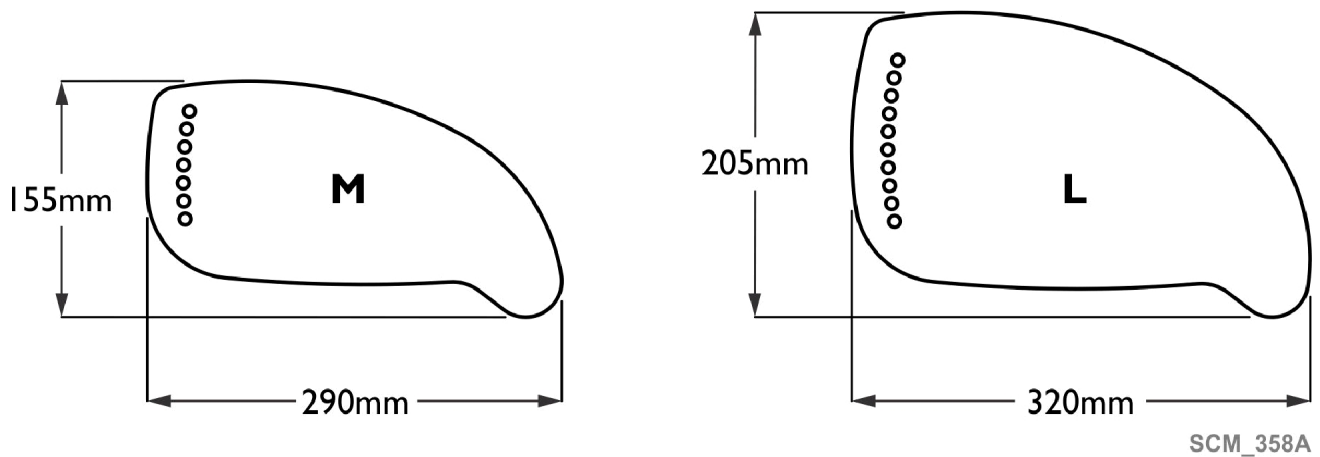
SCM_326A

Siderests - Clothes Guards

See Category "Siderests - Clothes Guard Sizing" to make proper Clothes Guard Selections.

Item Number	Note	Part Number	Description	Quantity Per	
				Package	Assembly
1		1561659	Kit, Clothes Guard, Carbon, Medium w/ Hardware, Backrest, Aluminum (Pair)	2	1
2		1561747	Kit, Clothes Guard, Carbon, Medium w/ Hardware, Backrest, Titanium (Pair)	2	1
3		1561815	Kit, Clothes Guard, Carbon, Large w/ Hardware, Backrest, Aluminum (Pair)	2	1
4		1561835	Kit, Clothes Guard, Carbon, Large w/ Hardware, Backrest, Titananium (Pair)	2	1
5		1547461	Clothes Guard, Carbon, Medium	1	2
6		1547462	Clothes Guard, Carbon, Large	1	2
7		1547452	Kit, Hardware, Clothes Guard, Carbon, Aluminum Backrest	1	1
8		1547453	Kit, Hardware, Clothes Guard, Carbon, Titanium Backrest	1	1
9		1561836	Hardware, Clothes Guard, Seat Module (Pair)	2	1

Siderests - Clothes Guard Sizing



Clothes Guard Sizing - 22 in. Rear Wheel

Rear Wheel Position (mm)	140	125	110	95	80
SH37	L	L	L	L	M
SH38	L	L	L	M	M
SH39	L	L	M	M	M
SH40	L	M	M	M	M
SH41	M	M	M	M	M
SH42	M	M	M	M	M
SH43	M	M	M	M	M
SH44	M	M	M	M	M
SH45	M	M	M	M	M
SH46	M	M	M	M	M
SH47	M	M	M	M	M
SH48	M	M	M	M	M
SH49	M	M	M	M	M

Siderests - Clothes Guard Sizing

Clothes Guard Sizing - 24 in. Rear Wheel

Rear Wheel Position (mm)	140	125	110	95	80
SH37	L	L	L	L	L
SH38	L	L	L	L	L
SH39	L	L	L	L	L
SH40	L	L	L	L	L
SH41	L	L	L	M	L
SH42	L	L	M	M	L
SH43	L	L	M	M	M
SH44	L	M	M	M	M
SH45	M	M	M	M	M
SH46	M	M	M	M	M
SH47	M	M	M	M	M
SH48	M	M	M	M	M
SH49	M	M	M	M	M

Siderests - Clothes Guard Sizing

Clothes Guard Sizing - 25 in. Rear Wheel

Rear Wheel Position (mm)	140	125	110	95	80
SH37	L	L	L	L	L
SH38	L	L	L	L	L
SH39	L	L	L	L	L
SH40	L	L	L	L	L
SH41	L	L	L	M	L
SH42	L	L	M	M	L
SH43	L	L	L	L	M
SH44	L	L	L	M	M
SH45	L	L	M	M	M
SH46	L	M	M	M	M
SH47	M	M	M	M	M
SH48	M	M	M	M	M
SH49	M	M	M	M	M

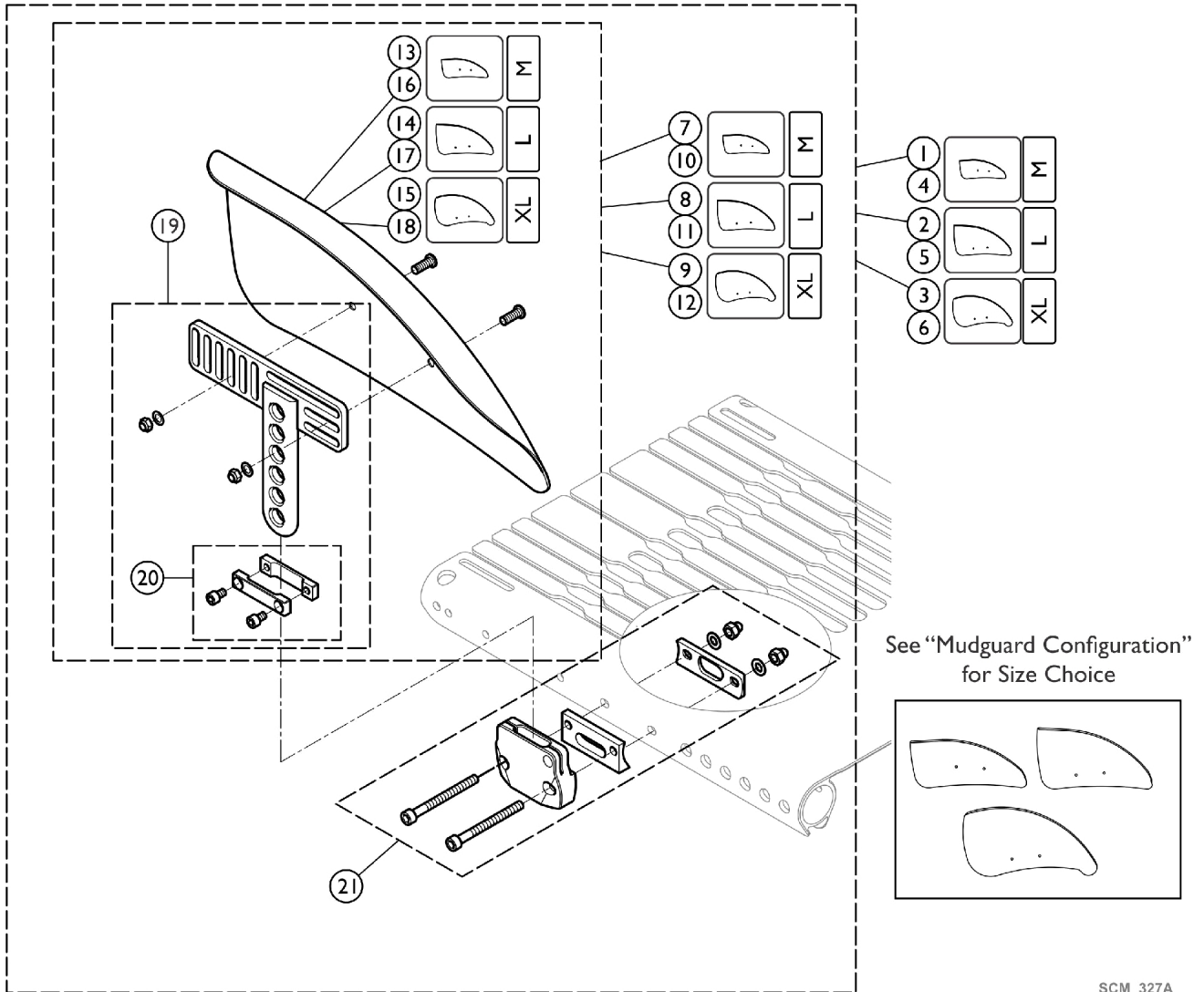
Siderests - Clothes Guard Sizing

Clothes Guard Sizing - 26 in. Rear Wheel

Rear Wheel Position (mm)	140	125	110	95	80
SH37	L	L	L	L	L
SH38	L	L	L	L	L
SH39	L	L	L	L	L
SH40	L	L	L	L	L
SH41	L	L	L	L	L
SH42	L	L	L	L	L
SH43	L	L	L	L	L
SH44	L	L	L	L	L
SH45	L	L	L	L	M
SH46	L	L	L	M	M
SH47	L	L	M	M	M
SH48	L	M	M	M	M
SH49	M	M	M	M	M

Siderests - Mudguards

See Category "Siderests - Mudguards Sizing" to make proper Mudguard Selections.

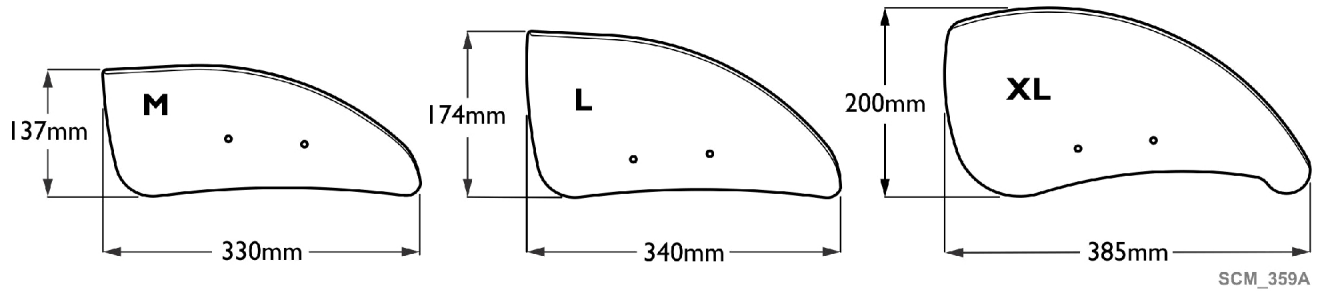


Siderests - Mudguards

See Category "Siderests - Mudguards Sizing" to make proper Mudguard Selections.

Item Number	Note	Part Number	Description	Quantity Per	
				Package	Assembly
1		1562025	Mudguard, Carbon, Left M Short Complete	1	1
2		1562026	Mudguard, Carbon, Left L Short Complete	1	1
3		1562027	Mudguard, Carbon, Left XL Short Complete	1	1
4		1562028	Mudguard, Carbon, Right M Short Complete	1	1
5		1562238	Mudguard, Carbon, Right L Short Complete	1	1
6		1562239	Mudguard, Carbon, Right XL Short Complete	1	1
7		1547479	Mudguard, Carbon, Left M Short	1	1
8		1547480	Mudguard, Carbon, Left L Short	1	1
9		1553158	Mudguard, Carbon, Left XL Short	1	1
10		1547483	Mudguard, Carbon, Right M Short	1	1
11		1547484	Mudguard, Carbon, Right L Short	1	1
12		1553203	Mudguard, Carbon, Right XL Short	1	1
13		1547533	Mudguard, Carbon, Medium - Left	1	1
14		1547534	Mudguard, Carbon, Large - Left	1	1
15		1553137	Mudguard, Carbon, Left XL	1	1
16		1547535	Mudguard, Carbon, Medium - Right	1	1
17		1547536	Mudguard, Carbon, Large - Right	1	1
18		1553138	Mudguard, Carbon, Right XL	1	1
19		1547488	Mudguard, Carbon, Holder, Short (Pair)	2	1
20		1547537	Kit, Siderest, Height Clamp (Pair)	2	1
21		1562240	Kit, Hardware, Mudguard, Seat Module (Pair)	2	1

Siderests - Mudguard Sizing



Mudguard Sizing - 22 in. Rear Wheel

Rear Wheel Position (mm)	140	125	110	95	80
SH37	L	L	L	L	M
SH38	L	L	L	M	M
SH39	L	L	M	M	M
SH40	L	M	M	M	M
SH41	M	M	M	M	M
SH42	M	M	M	M	M
SH43	M	M	M	M	M
SH44	M	M	M	M	M
SH45	M	M	M	M	M
SH46	M	M	M	M	M
SH47	M	M	M	M	M
SH48	M	M	M	M	M
SH49	M	M	M	M	M

Siderests - Mudguard Sizing

Mudguard Sizing - 24 in. Rear Wheel

Rear Wheel Position (mm)	140	125	110	95	80
SH37	XL	XL	L	L	L
SH38	XL	L	L	L	L
SH39	L	L	L	L	L
SH40	L	L	L	L	L
SH41	L	L	L	M	L
SH42	L	L	M	M	L
SH43	L	L	M	M	M
SH44	L	M	M	M	M
SH45	M	M	M	M	M
SH46	M	M	M	M	M
SH47	M	M	M	M	M
SH48	M	M	M	M	M
SH49	M	M	M	M	M

Siderests - Mudguard Sizing

Mudguard Sizing - 25 in. Rear Wheel

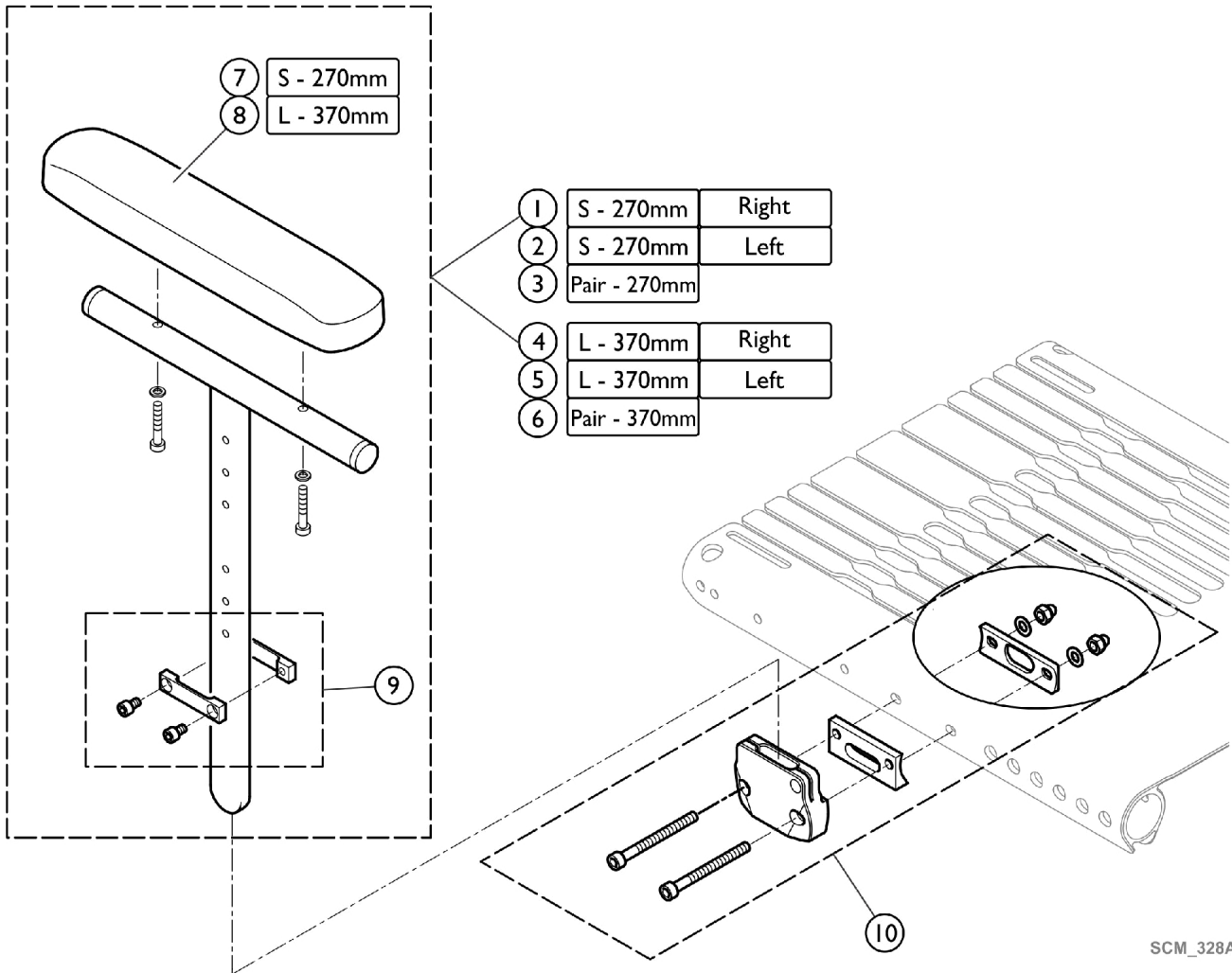
Rear Wheel Position (mm)	140	125	110	95	80
SH37	XL	XL	XL	XL	L
SH38	XL	XL	XL	L	L
SH39	XL	XL	L	L	L
SH40	XL	L	L	L	L
SH41	L	L	L	M	L
SH42	L	L	M	M	L
SH43	L	L	L	L	M
SH44	L	L	L	M	M
SH45	L	L	M	M	M
SH46	L	M	M	M	M
SH47	M	M	M	M	M
SH48	M	M	M	M	M
SH49	M	M	M	M	M

Siderests - Mudguard Sizing

Mudguard Sizing - 26 in. Rear Wheel

Rear Wheel Position (mm)	140	125	110	95	80
SH37	XL	XL	XL	XL	XL
SH38	XL	XL	XL	XL	XL
SH39	XL	XL	XL	XL	L
SH40	XL	XL	XL	L	L
SH41	XL	XL	L	L	L
SH42	XL	L	L	L	L
SH43	L	L	L	L	L
SH44	L	L	L	L	L
SH45	L	L	L	L	M
SH46	L	L	L	M	M
SH47	L	L	M	M	M
SH48	L	M	M	M	M
SH49	M	M	M	M	M

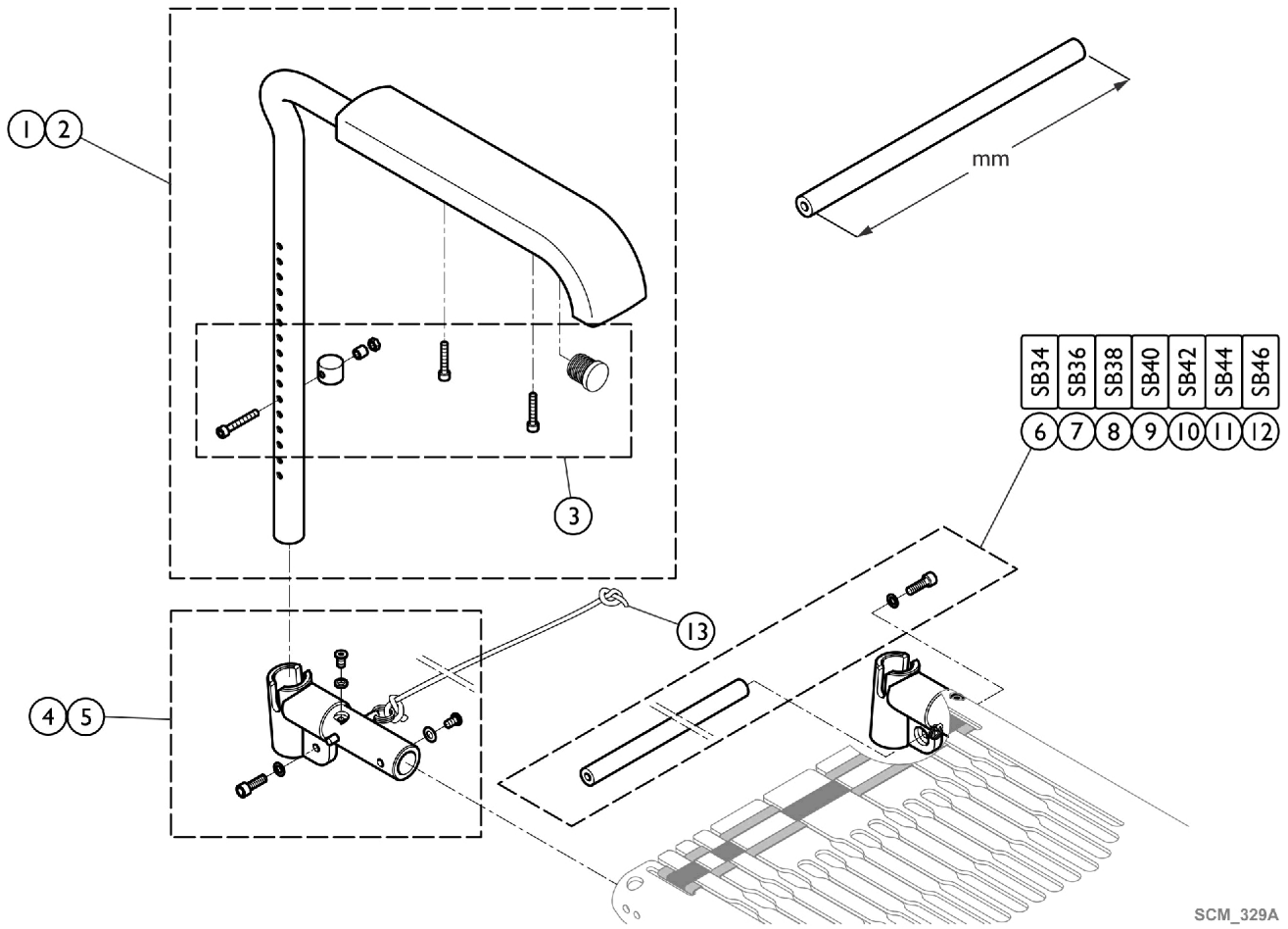
Siderests - Adjustable Arm



Siderests - Adjustable Arm

Item Number	Note	Part Number	Description	Quantity Per	
				Package	Assembly
1		1517677	Siderest, Adjustable Height, Short - Right	1	1
2		1517678	Siderest, Adjustable Height, Short - Left	1	1
3		1517682	Siderest, Adjustable Height, Short (Pair)	2	1
4		1517679	Siderest, Adjustable Height, Long - Right	1	1
5		1517680	Siderest, Adjustable Height, Long - Left	1	1
6		1517683	Siderest, Adjustable Height, Long (Pair)	2	1
7		1439497	Arm Pad w/ Screws, Short (270mm) (Pair)	2	1
8		1439498	Arm Pad w/ Screws, Long (370mm) (Pair)	2	1
9		1547537	Kit, Siderest, Height Clamp (Pair)	2	1
10		1588327	Hardware, Siderest, Frame (Pair)	2	1

Siderests - Tubular Arm

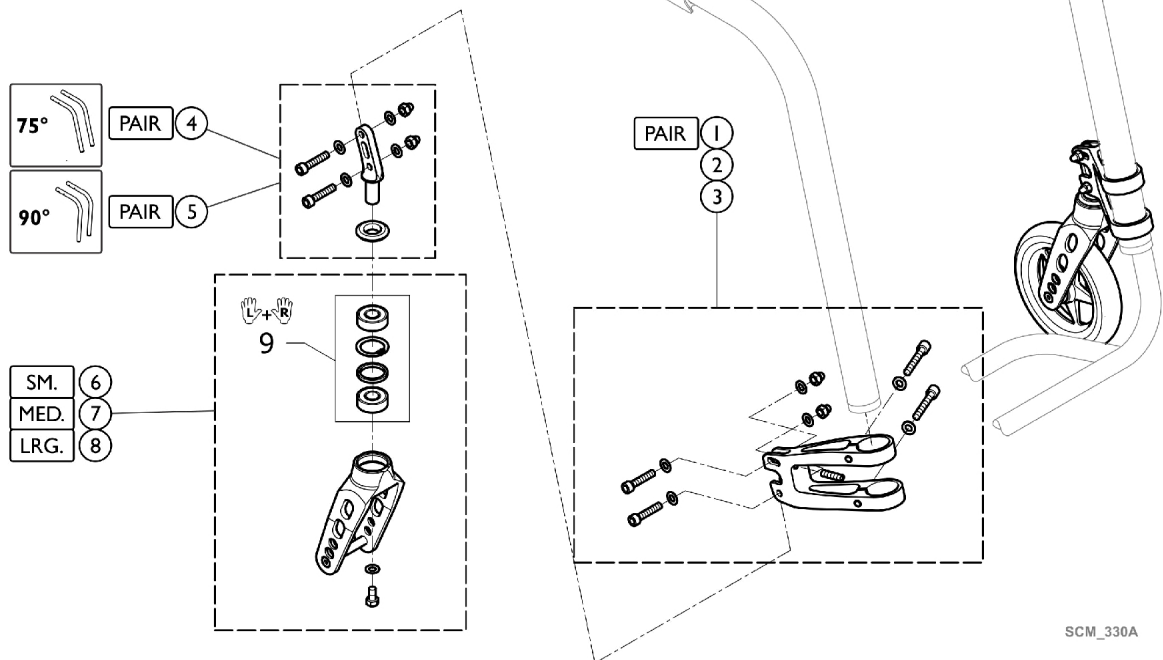
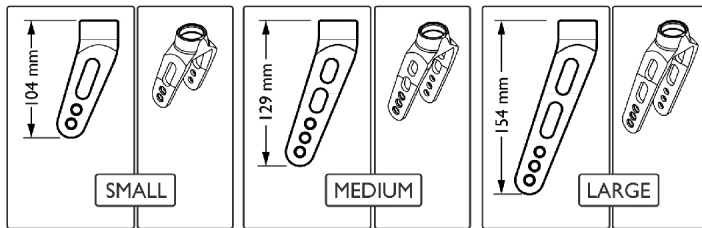


SCM_329A

Siderests - Tubular Arm

Item Number	Note	Part Number	Description	Quantity Per	
				Package	Assembly
1		913.1012	Armrest w/ Standard Cushion, Right	1	1
2		913.1013	Armrest, w/ Standard Cushion, Left	1	1
3		1547610	BoltSet Armrest	1	1
4		1562556	Armrest adapter Right w/ Hardware and Cord	1	1
5		1562557	Armrest adapter Left w/ Hardware and Cord	1	1
6		1562509	Connection Tube 296mm	1	1
7		1562510	Connection Tube 316mm	1	1
8		1562511	Connection Tube 336mm	1	1
9		1562512	Connection Tube 356mm	1	1
10		1562513	Connection Tube 376mm	1	1
11		1562514	Connection Tube 396mm	1	1
12		1562553	Connection Tube 416mm	1	1
13		1554427	Cord, Backrest, Foldable	1	1

Front Wheels - Fork - Carbon Frame



SCM_330A

Front Wheels - Fork - Carbon Frame

Item Number	Note	Part Number	Description	Quantity Per	
				Package	Assembly
1-3		See Chart	Items #1-3. Front Wheel Support	1	2
4		1562563	Item #4. Front Wheels - Fork Support - Carbon Frame	2	1
5		1562564	Item #5. Front Wheels - Fork Support - Carbon Frame	2	1
6-8		See Chart	Item #6-8. Forks	1	1
9		1510219	Kit, Bearing	1	2

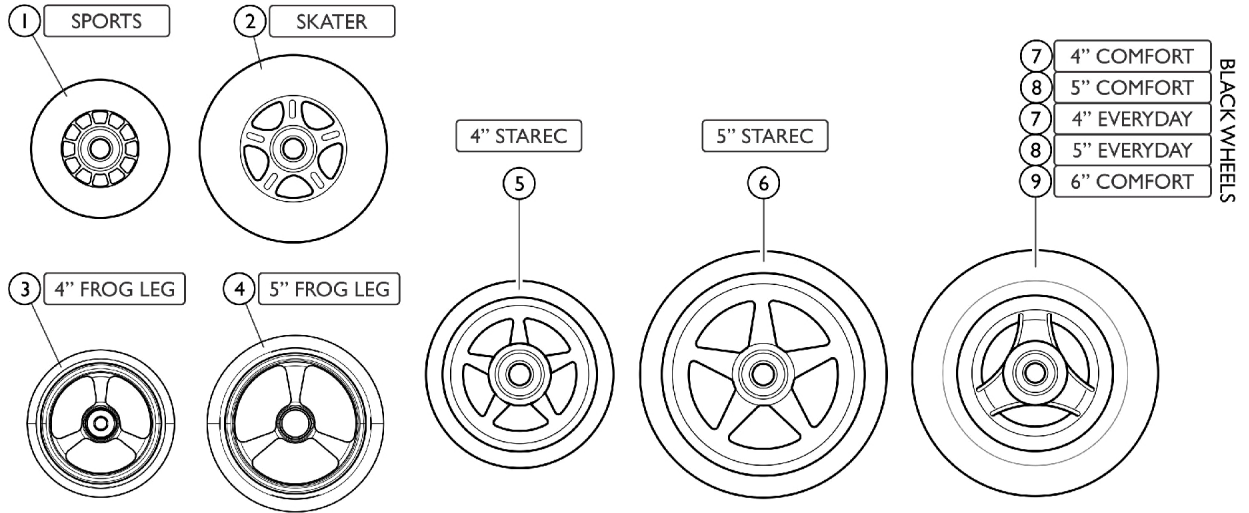
Items #1-3. Front Wheel Support

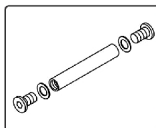
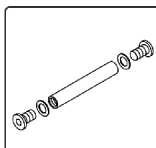
Color	Item #1 Support (Pair)	Item #2 Left Support	Item #3 Right Support
Dark Grey	1562560	1562561	1562562
Black	1562560-0004	1562561-0004	1562562-0004

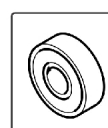
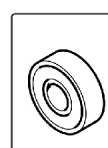
Item #6-8. Forks

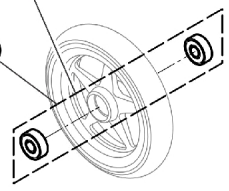
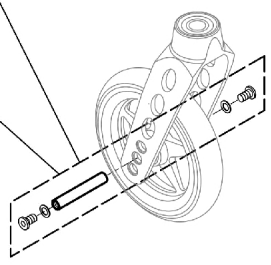
Color	Item #6 Small Fork (104mm)	Item #7 Medium Fork (129mm)	Item #8 Large Fork (154mm)
Black Anodized	1562565-0004	1562566-0004	1562567-0004
Chrome	1562565-0001	1562566-0001	1562567-0001
Champagne	1562565-0182	1562566-0182	1562567-0182
Olive	1562565-0183	1562566-0183	1562567-0183
Techno-Anthrazit	1562565-0400	1562566-0400	1562567-0400
B - Blue	1562565-0404	1562566-0404	1562567-0404
Comet Red	1562565-0440	1562566-0440	1562567-0440
Arctic Blue	1562565-0441	1562566-0441	1562567-0441
Copper Glaze	1562565-0444	1562566-0444	1562567-0444

Front Wheels - Casters



	SPORTS	10
	SKATER	
	4" STAREC	
	5" STAREC	
	4" EVERYDAY	11
	4" COMFORT	
	5" EVERYDAY	
	5" COMFORT	
	6" COMFORT	

	SPORTS	12
	SKATER	
	4" STAREC	
	5" STAREC	
	4" EVERYDAY	13
	4" COMFORT	
	5" EVERYDAY	
	5" COMFORT	
	6" COMFORT	



SCM_431A

Front Wheels - Casters

Item Number	Note	Part Number	Description	Quantity Per	
				Package	Assembly
1		1513180	3" Sports Wheel, Transparent	1	2
2		1513181	4" Skater Wheel, Transparent	1	2
3		SP1638032-NLA	NLA - 4" Caster, Black, Aluminum Rim, Frog Legs	1	2
3		SP1638083	4" Caster, Silver, Aluminum Rim, Frog Legs	1	2
4		SP1638084	5" Caster, Black, Aluminum Rim, Frog Legs	1	2
4		SP1638085	5" Caster, Silver, Aluminum Rim, Frog Legs	1	2
5		See Chart	Item #5. 4 in. Starec (Kuschall) Casters	1	2
6		See Chart	Item #6. 5 in. Starec (Kuschall) Casters	1	2
7		1562626-NLA	NLA - 4" Everyday Wheel, Three Spokes, Black	1	2
7		SP1638072	4" Comfort Wheel, Black	1	2
8		SP1638071	5" Everyday Wheel, 3 Spokes, Black (Pair)	2	1
8		SP1638073	5" Comfort Wheel, Black	1	2
9		SP1638074	6" Comfort Wheel, Black	1	2
10		1588188-NLA	NLA - Axle Set Complete 3" Sport / 4" and 5" Starec / 4" Skater Wheel	1	2
11		1570108	Axle Set w/out Spacer	1	2
12		1570104	Ball Bearing 608-2RS 8/22*7 (Pair)	2	1
13		1570105	Ball Bearing 6000-2RS (Pair)	2	2

Item #5. 4 in. Starec (Kuschall) Casters

Color	Part Number
Chrome	1513183-0001
Champagne	1513183-0182
Techno-Anthracite	1513183-0400
B - Blue	1513183-0404
Black Anodized	1513183-0004
Comet Red	1513183-0440
Arctic Blue	1513183-0441

Item #6. 5 in. Starec (Kuschall) Casters

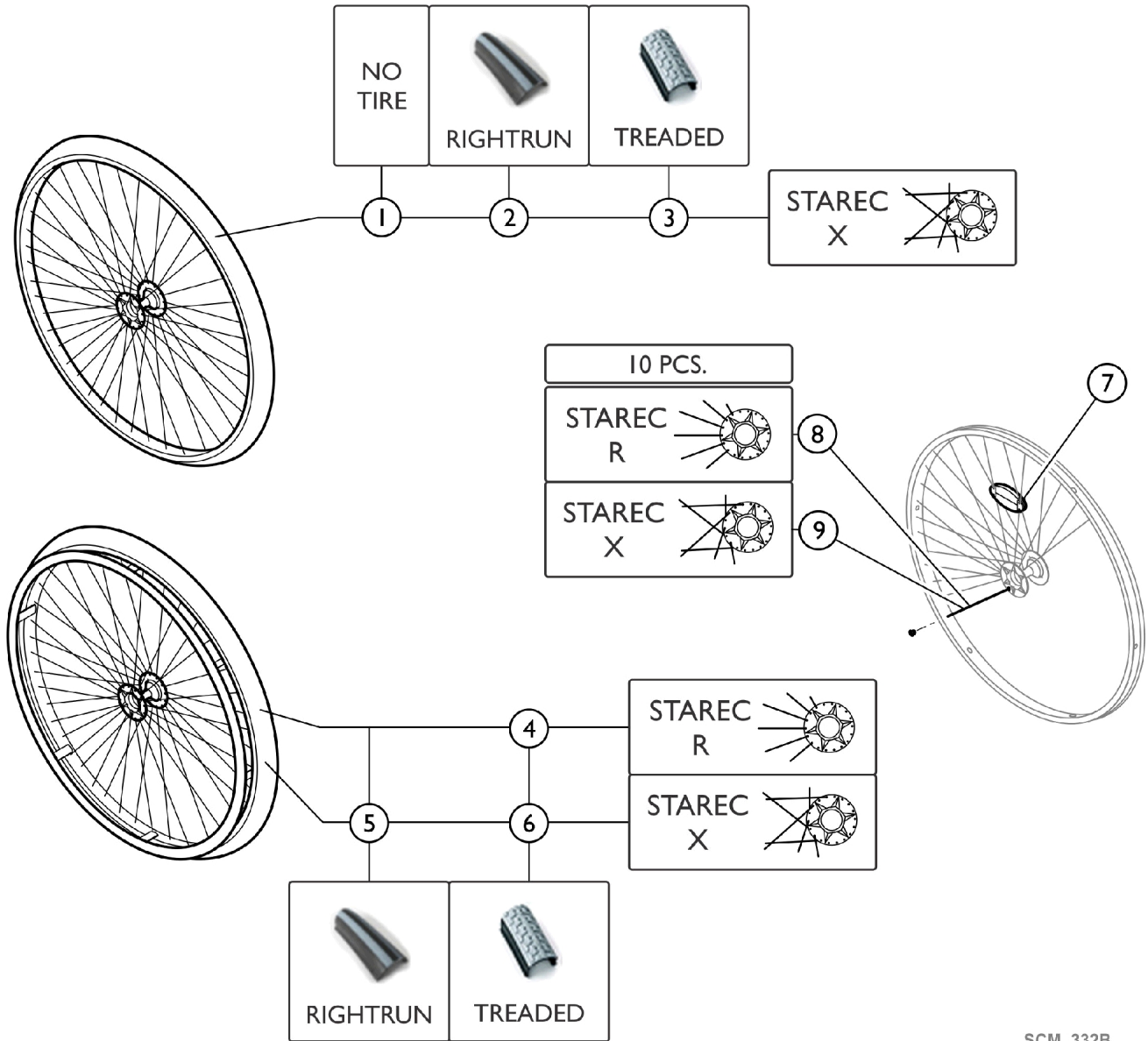
Color	Part Number
Chrome	1513187-0001
Champagne	1513187-0182
Techno-Anthracite	1513187-0400
B - Blue	1513187-0404
Black Anodized	1513187-0004
Comet Red	1513187-0440

Front Wheels - Casters

Item #6. 5 in. Starec (Kuschall) Casters

Color	Part Number
Arctic Blue	1513187-0441

Rear Wheels - 22" Wheels



SCM_332B

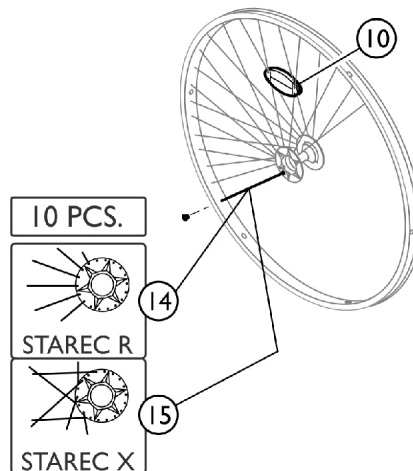
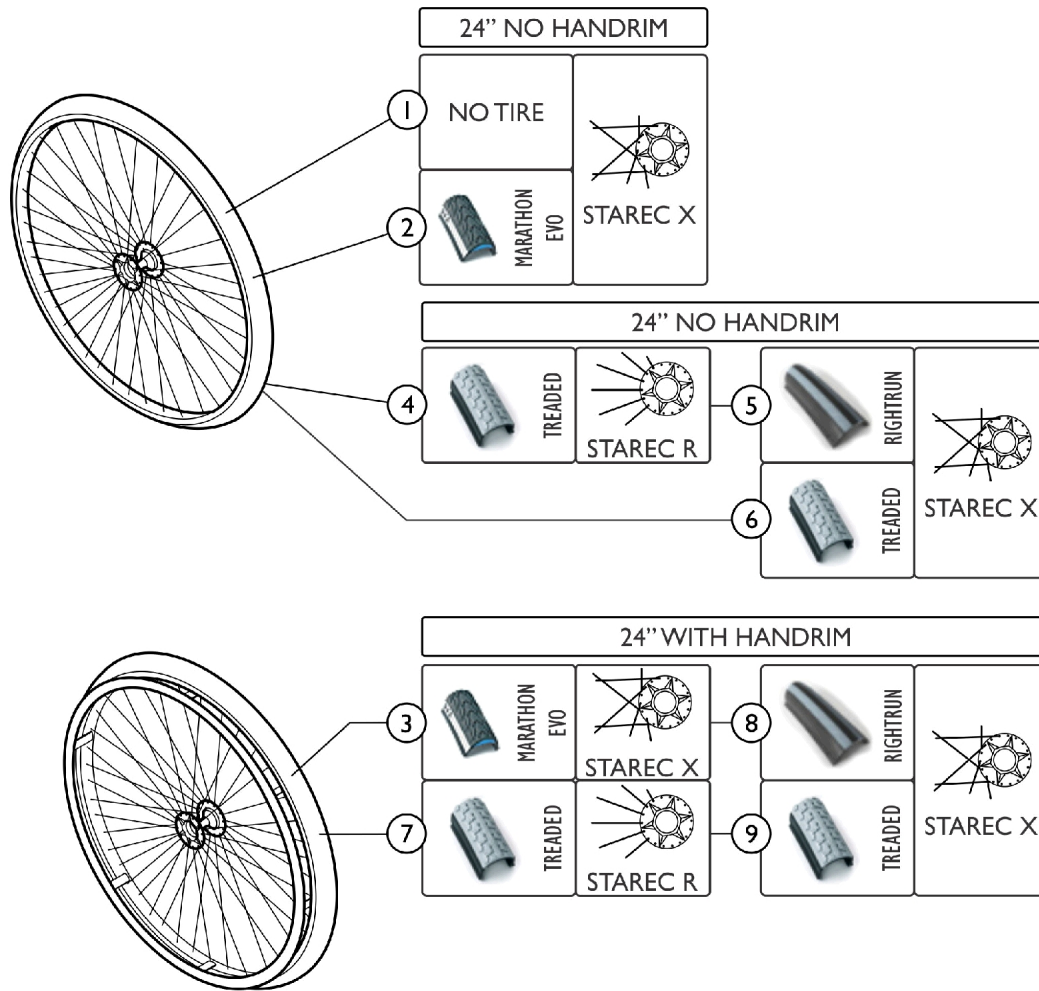
Rear Wheels - 22" Wheels

Item Number	Note	Part Number	Description	Quantity Per	
				Package	Assembly
1		See Chart	Item #1. Rear Wheel (22") No Handrim, No Tire	1	2
2		SP1601741	Rear Wheel (22"), Starec Hub X, No Handrim, Rightrun Black/Grey	1	2
3		904.1139	Rear Wheel (22"), Starec Hub X, No Handrim, Treaded	1	2
4		1562658	Rear Wheel (22")', Starec Hub R, Aluminum Black Handrim, Treaded	1	2
5		SP1601860	Rear Wheel (22"), Starec Hub X, Handrim Aluminum Black, Rightrun Black/Grey	1	2
6		1562656	Rear Wheel (22"), Starec Hub X, Handrim Aluminum Black, Treaded	1	2
7		1571073	Spoke Reflector (Pair)	2	1
8		1579081	Kit, Spokes, Complete (211mm)	10	1
9		1579082	Kit, Spokes, Complete (228mm)	10	1

Item #1. Rear Wheel (22") No Handrim, No Tire

Color	Part Number	Color	Part Number
Clear	1559083-0407	B - Blue	1559082-0404
Chrome	1559083-0001	Comet Red	1559082-0440
Champagne	1559083-0182	Arctic Blue	1559082-0441
Techno-Anthracite	1559083-0400	N/A	N/A

Rear Wheels - 24" Wheels



SCM_333B

Rear Wheels - 24" Wheels

Item Number	Note	Part Number	Description	Quantity Per	
				Package	Assembly
1		See Chart	Item #1. Rear Wheel (24") No Handrim, No Tire (Starec X)	1	2
2		See Chart	Item #2. Rear Wheel (24") No Handrim w/ Marathon Evo (Starec X)	1	2
3		See Chart	Item #3. Rear Wheel (24"), w/ Handrim, w/ Marathon Evo (Starec X)	1	2
4		904.1160	Rear Wheel (24"), Starec Hub R, No Handrim, Treaded	1	2
5		SP1601745	Rear Wheel (24"), Starec Hub X, No Handrim, Rightrun Black/Grey Tire	1	2
6		904.1141	Rear Wheel (24"), Starec Hub X, No Handrim, Treaded	1	2
7		1562662	Rear Wheel (24"), Starec Hub R, Aluminum Black Handrim, Treaded	1	2
8		SP1601864	Rear Wheel (24"), Starec Hub X, Aluminum Handrim, Black, Rightrun Black/Grey	1	2
9		1562660	Rear Wheel (24"), Starec Hub X, Aluminum Handrim, Black, Treaded	1	2
10		1571073	Spoke Reflector (Pair)	2	1
11		1579084	Kit, Spoke 238mm Complete (10 Pcs.)	10	1
12		1579086	Kit, Spoke, Complete (253mm)	10	1

Item #1. Rear Wheel (24") No Handrim, No Tire (Starec X)

Hub Color	Part Number	Hub Color	Part Number
Chrome	1567104-0001	Clear	1567104-0407-NLA
Champagne	1567104-0182-NLA	Comet Red	1567104-0440
Techno-Anthracite	1567104-0400	Arctic Blue	1567104-0441
B - Blue	1567104-0404	N/A	N/A

Item #2. Rear Wheel (24") No Handrim w/ Marathon Evo (Starec X)

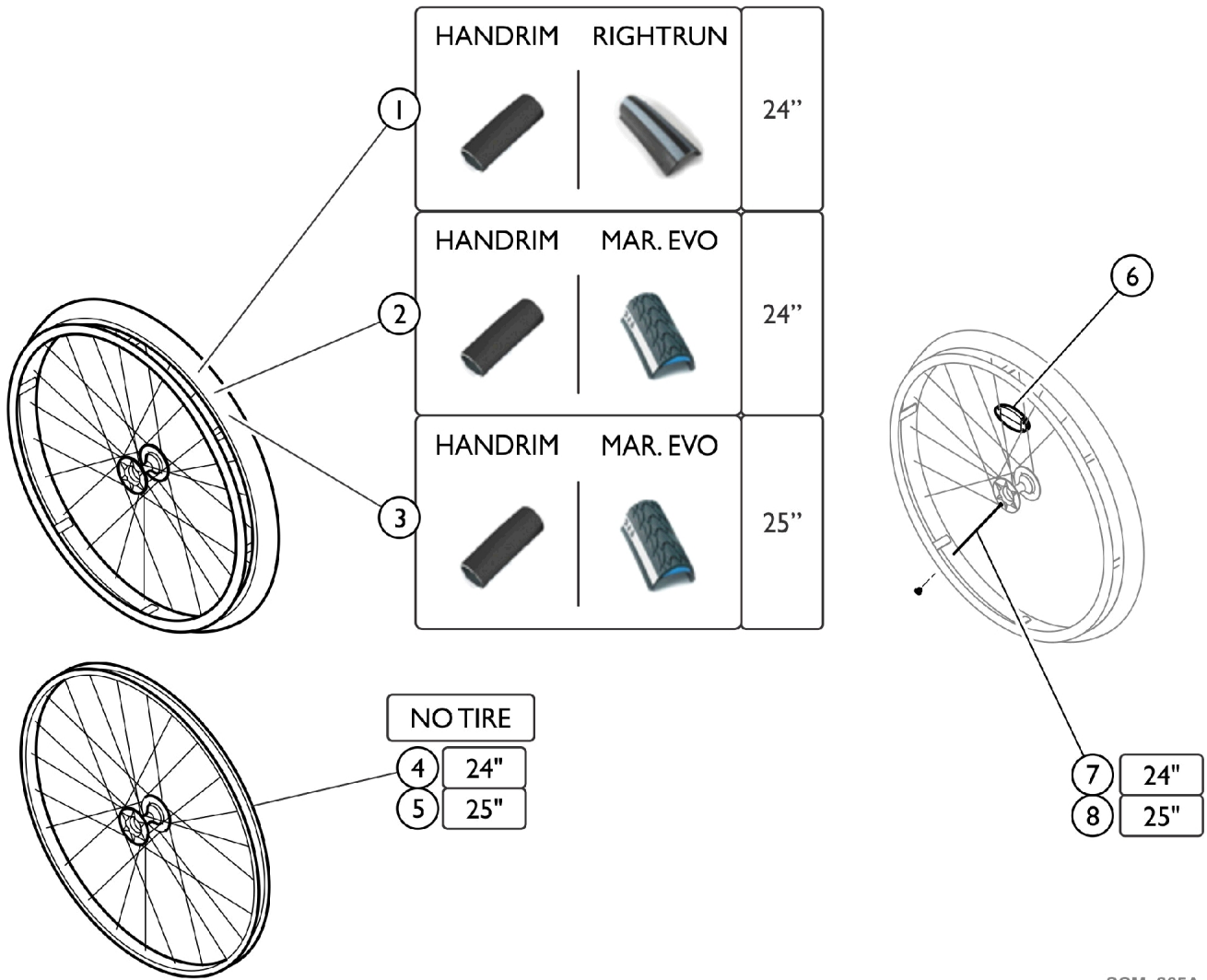
Hub Color	Part Number	Hub Color	Part Number
Chrome	1554399-0001	B - Blue	1554399-0404
Champagne	1554399-0182	Comet Red	1554399-0440
Clear	1554399-0407	Arctic Blue	1554399-0441
Techno-Anthracite	1554399-0400-NLA	N/A	N/A

Rear Wheels - 24" Wheels

Item #3. Rear Wheel (24"), w/ Handrim, w/ Marathon Evo (Starec X)

Hub Color	Part Number	Hub Color	Part Number
Chrome	1554400-0001	B - Blue	1554400-0404
Champagne	1554400-0182	Comet Red	1554400-0440
Clear	1554400-0407	Arctic Blue	1554400-0441
Techno-Anthracite	1554400-0400	N/A	N/A

Rear Wheels - 24" - 25" Wheels - High Performance



SCM_265A

Rear Wheels - 24" - 25" Wheels - High Performance

Item Number	Note	Part Number	Description	Quantity Per	
				Package	Assembly
1		See Chart	Item #1. Rear Wheel (24") w/ Handrim and Rightrun Tire	1	2
2		See Chart	Item #2. Rear Wheel (24") w/ Handrim and Evo Tire	1	2
3		See Chart	Item #3. Rear Wheel (25") w/ Handrim and Evo Tire	1	2
4		See Chart	Item #4. Rear Wheel (24") w/o Handrim and w/o Tire	1	2
5		See Chart	Item #5. Rear Wheel (25") w/o Handrim and w/o Tire	1	2
6		1571073	Spoke Reflector (Pair)	2	1
7		1578867	Kit, Spokes, High Performance Wheel (24")	10	1
8		1578868	Kit, Spokes, High Performance Wheel (25")	10	1

Item #1. Rear Wheel (24") w/ Handrim and Rightrun Tire

Colors	Part Number
Black	SP1601752-0004
Chrome	SP1601752-0001
Champagne	SP1601752-0182
Techno-Anthracite	SP1601752-0400
B - Blue	SP1601752-0404
Comet Red	SP1601752-0440
Arctic Blue	SP1601752-0441

Item #2. Rear Wheel (24") w/ Handrim and Evo Tire

Colors	Part Number
Clear	1562670-0004
Chrome	1562670-0001
Champagne	1562670-0182
Techno-Antracite	1562670-0400
B - Blue	1562670-0404
Comet Red	1562670-0440
Arctic Blue	1562670-0441

Rear Wheels - 24" - 25" Wheels - High Performance

Item #3. Rear Wheel (25") w/ Handrim and Evo Tire

Colors	Part Number
Chrome	1562669-0001
Black	1562669-0004
Champagne	1562669-0182
Techno-Antracite	1562669-0400
B - Blue	1562669-0404
Comet Red	1562669-0440
Arctic Blue	1562669-0441

Item #4. Rear Wheel (24") w/o Handrim and w/o Tire

Colors	Part Number
Chrome	1517723-0001
Black	1517723-0004
Champagne	1517723-0182
Techno-Anthracite	1517723-0400
B - Blue	1517723-0404
Comet Red	1517723-0440
Arctic Blue	1517723-0441

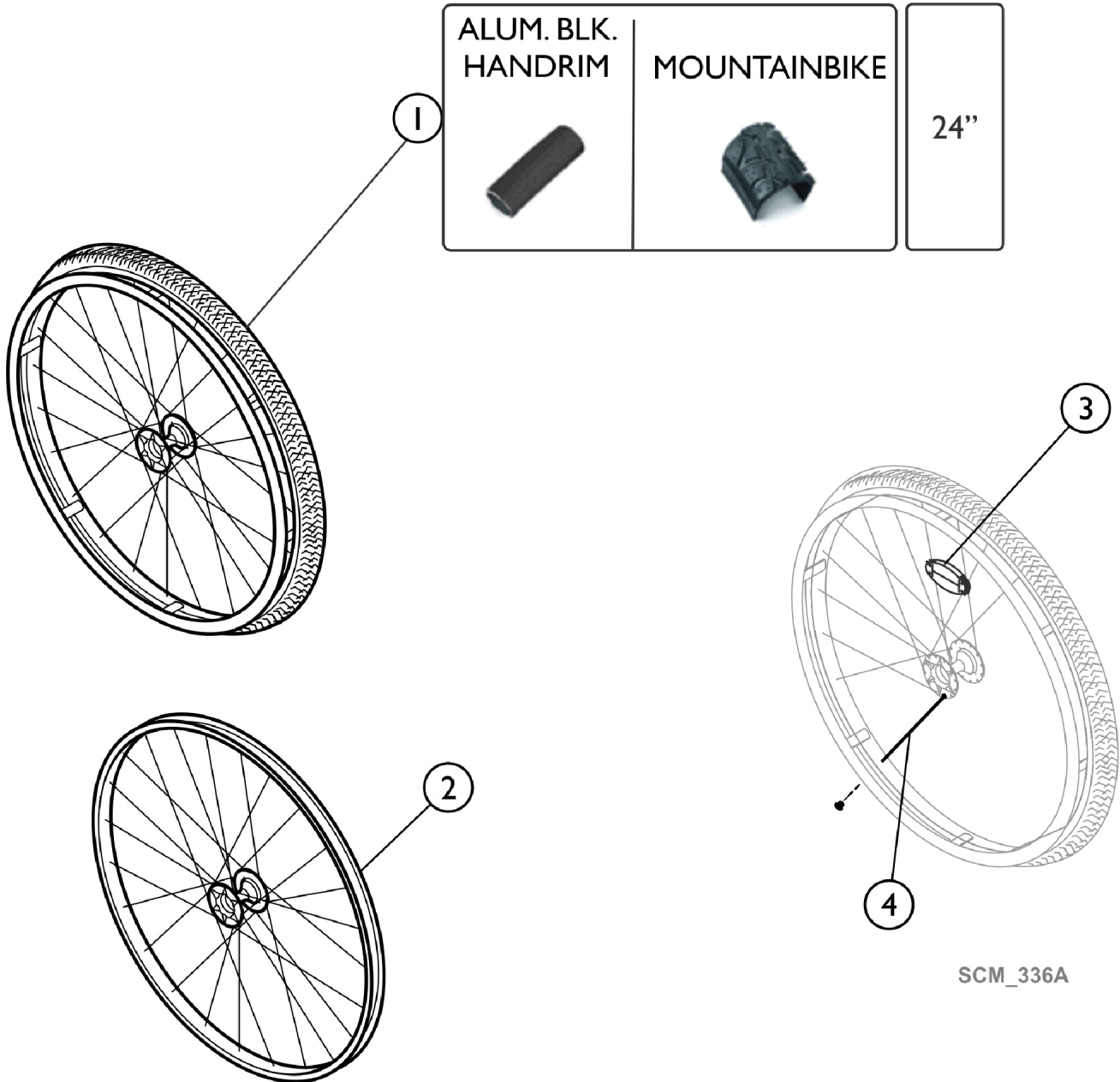
Rear Wheels - 24" - 25" Wheels - High Performance

Item #5. Rear Wheel (25") w/o Handrim and w/o Tire

Colors	Part Number
Chrome	1562937-0001
Black	1562937-0004
Champagne	1562937-0182
Techno-Anthracite	1562937-0400
B - Blue	1562937-0404
Comet Red	1562937-0440
Arctic Blue	1562937-0441

Rear Wheels - Mountain Bike Wheel - 24" Wheels

NOTE: 24" Mountain Bike Wheel Assembly uses a 22" Handrim.

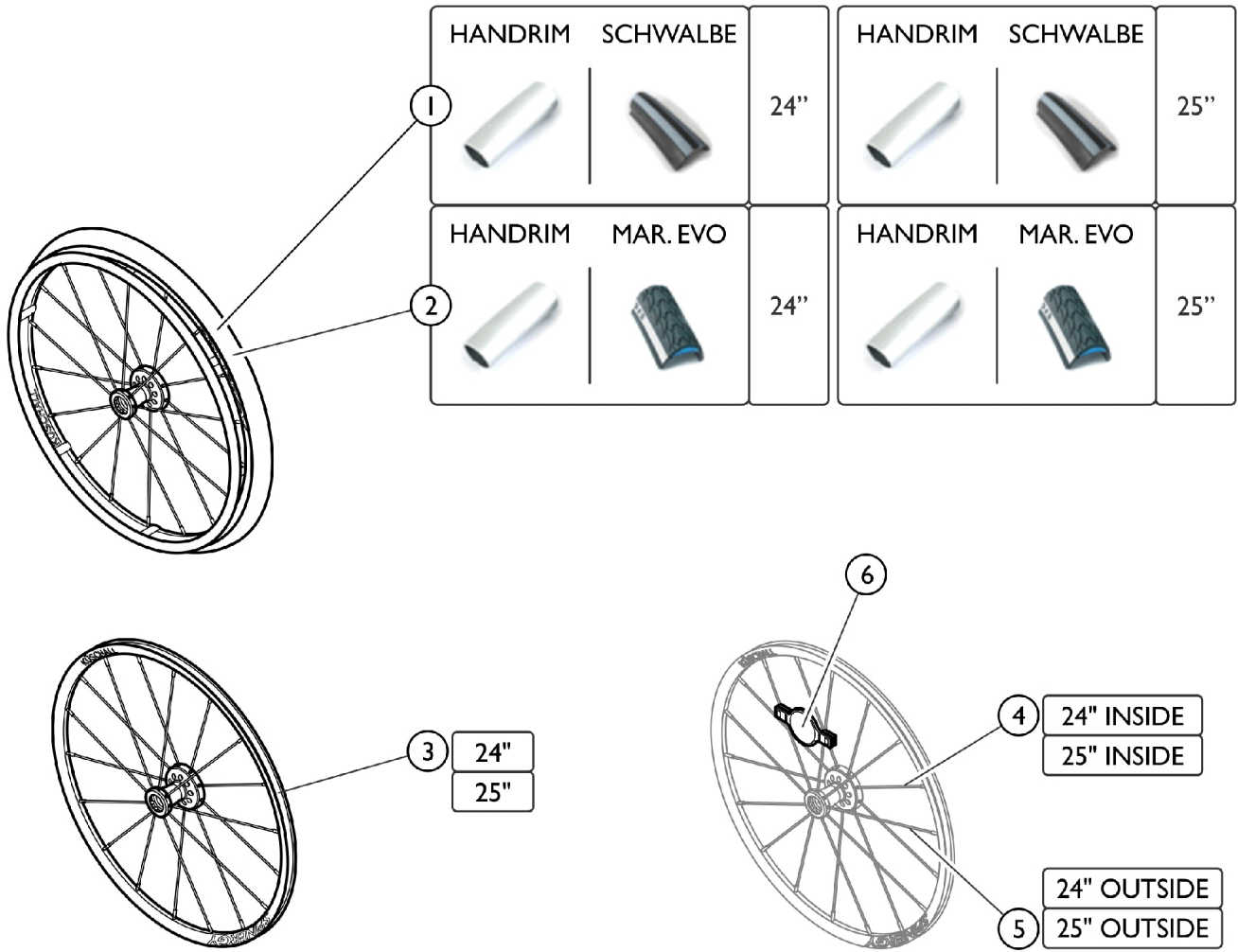


Rear Wheels - Mountain Bike Wheel - 24" Wheels

NOTE: 24" Mountain Bike Wheel Assembly uses a 22" Handrim.

Item Number	Note	Part Number	Description	Quantity Per	
				Package	Assembly
1		1562665	Rear Wheel (24"), Mountain Bike, Aluminum Handrim, Black, MTB Tire	1	2
2		1529327	Rear Wheel (24"), Mountain Bike, No Handrim, No Tire	1	2
3		1571073	Spoke Reflector (Pair)	2	1
4		1579085	Kit, Spoke, Mountain Bike Wheel (10 Pcs.)	10	1

Rear Wheels - Spinergy LXX - 24" and 25" Wheels

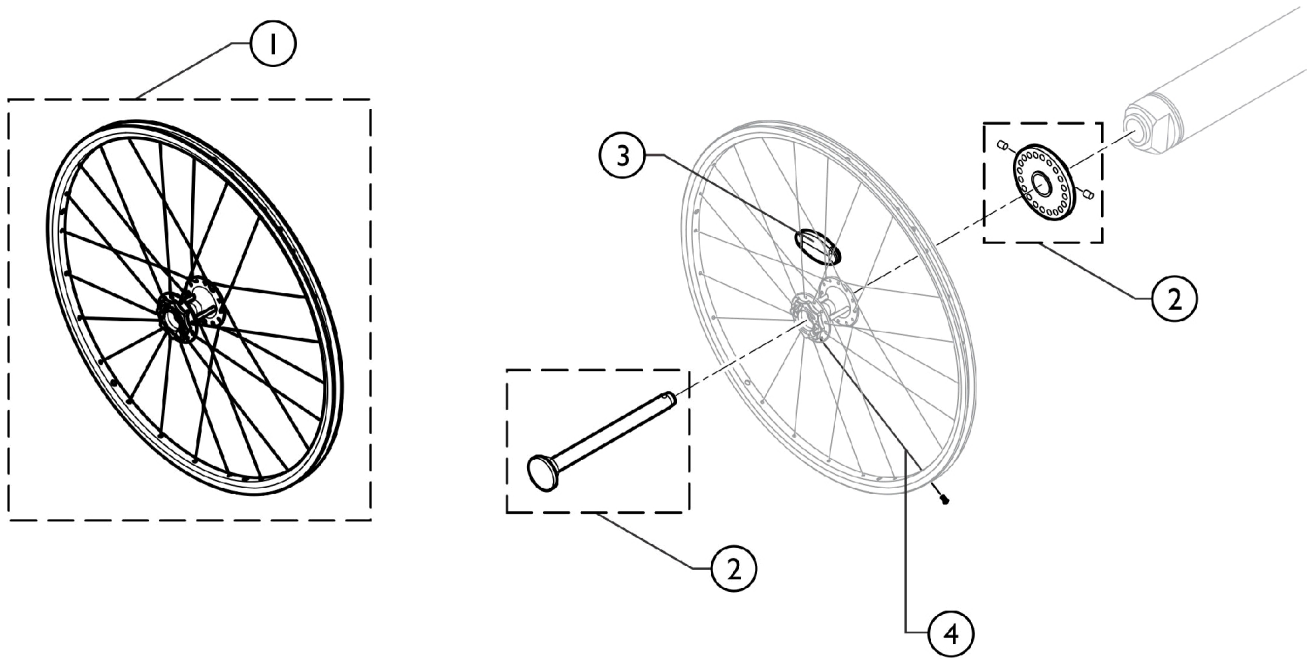


SCM_266B

Rear Wheels - Spinerger LXX - 24" and 25" Wheels

Item Number	Note	Part Number	Description	Quantity Per	
				Package	Assembly
1		1579101	Rear Wheel (24"), Spinerger LXX, Aluminum Handrim, Black, Schwalbe One Tire, Complete	1	2
1		SP1638077	Rear Wheel (25"), Spinerger LXX, Aluminum Handrim, Black, Schwalbe One Tire, Complete	1	2
2		1579105	Rear Wheel (24"), Spinerger LXX, Aluminum Handrim, Black, Marathon Evo Tire, Complete	1	2
2		SP1638078	Rear Wheel (25"), Spinerger LXX, Aluminum Handrim, Black, Marathon Evo Tire, Complete	1	2
3		1579102	Rear Wheel (24"), Spinerger LXX, No Handrim, No Tire	1	2
3		SP1638079	Rear Wheel (25"), Spinerger LXX, No Handrim, No Tire	1	2
4		1579103	(24") Spoke Inside, Spinerger LXX Wheel (236mm)	1	9
5		1579104	(24") Spoke Outside, Spinerger LXX Wheel (249mm)	1	9
6		1571088	Spoke Reflector (Pair)	2	1

Rear Wheels - Hub Brake Wheel












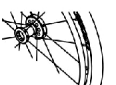

SCM_346A

Rear Wheels - Hub Brake Wheel

Item Number	Note	Part Number	Description	Quantity Per	
				Package	Assembly
1		1570645	Hub Brake Wheel (24"), No Handrim, No Tire	1	2
2		1570651	Kit, Mounting, Quick Release, Hub Brake (Pair)	2	1
3		1571073	Spoke Reflector (Pair)	2	1
4		1579088	Kit, Spoke, Hub Brake Wheel 24", (10 Pcs.)	1	1

Rear Wheels - Handrims

HANDRIMS

		ALUMINUM				BLACK ALUMINUM				TITANIUM	POLISHED STEEL			SUPER GRIP			SURGE
																	
		22"	24"	25"	26"	22"	24"	25"	26"	24"	24"	26"	22"	24"	26"	24"	25"
 STAREC WHEEL	3cm					5	6	7	8	9	10	11	12	13	14	15	16
	4cm	1	2	3	4								12	13	14	15	16
 HIGH PERFORMANCE	3cm					6	7			9	10			13		15	16
	4cm		2	3										13		15	16
 MOUNTAIN BIKE	3cm					5							12				
	4cm	1											12				
 SPINERGY LXK	3cm						6			9	10			13		15	
	4cm		2												13		15
 HUB BRAKE	3cm						6			9	10			13		15	
	4cm		2												13		15

SCM_347A

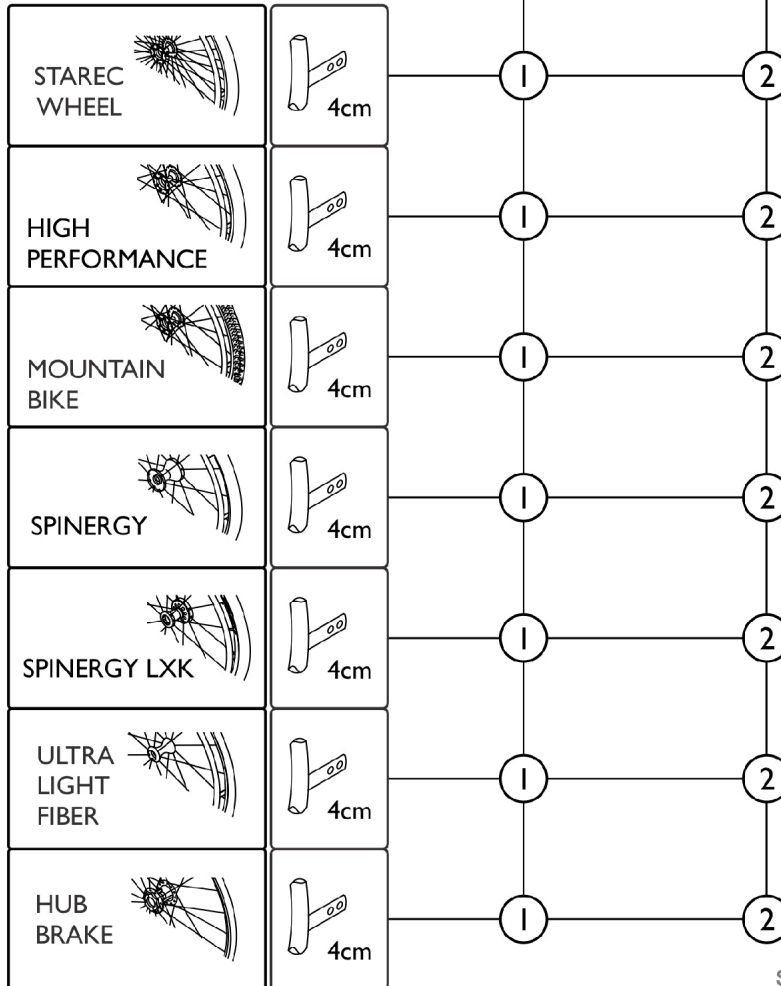
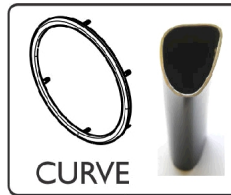
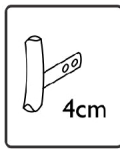
Rear Wheels - Handrims

Item Number	Note	Part Number	Description	Quantity Per	
				Package	Assembly
1	A	1568700	Handrim, Aluminum (22" - 4cm)	1	2
2	C	1568702-NLA	NLA - Handrim, Aluminum Light, Clear Anodized (24" - 4cm)	1	2
2		1568714-0005	Handrim, Aluminum, Distance (24" - 3cm)	1	2
3		1568708	Handrim, Aluminum Light, High Performance (25" - 4cm)	1	2
4		1568709	Handrim, Aluminum (26" - 4cm)	1	2
5	A	1568713-0411	Handrim, Aluminum, Black, Distance (22" - 3cm)	1	2
6		1568714-0411	Handrim, Aluminum, Black, Distance (24" - 3cm)	1	2
7		1568730-0411	Handrim, Aluminum, Black, Distance (25" - 3cm)	1	2
8		1568731-0411	Handrim, Aluminum, Black, Distance (26" - 3cm)	1	2
9		1568716	Handrim, Titanium, Distance (24" - 3cm)	1	2
10		1568715	Handrim, Polished Steel, Distance (24" - 3cm)	1	2
11		1568777	Handrim, Polished Steel, Distance (26" - 3cm)	1	2
12	A	1568701	Handrim, Super-Grip (22")	1	2
13		1568703	Handrim, Super-Grip (24")	1	2
14		1568710	Handrim, Super-Grip (26")	1	2
15	B	SP60122339	Handrim 24" Carbolife Gekko S	1	2
16		1556917	Handrim, LT Surge (25")	1	2

NOTE: A - 24" Mountain Bike Wheel Assembly uses a 22" Handrim.
 B - 1556916 is no longer available. Use part number SP60122339 as a replacement.
 C - 1568702 is no longer available. Use part number 1568714-0005 as a replacement.

Rear Wheels - Handrims - Carbolife

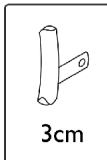
CARBOLIFE HANDRIM











SCM 428A

Item Number	Note	Part Number	Description	Quantity Per	
				Package	Assembly
1		SP1638081	Handrim, Carbolife, Curve (24")	1	2
2		SP1638080	Handrim, Carbolife, Gekko (24")	1	2

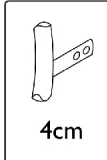
Rear Wheels - Handrim Hardware









3cm

ALUMINUM		BLACK ALUMINUM		TITANIUM		STEEL		SUPERGRIP		SURGE		GEKKO		CURVE	
															
SPOKE GUARD	NO SPOKE GUARD	SPOKE GUARD	NO SPOKE GUARD	SPOKE GUARD	NO SPOKE GUARD	SPOKE GUARD	NO SPOKE GUARD	SPOKE GUARD	NO SPOKE GUARD	SPOKE GUARD	NO SPOKE GUARD	SPOKE GUARD	NO SPOKE GUARD	SPOKE GUARD	NO SPOKE GUARD
		1	1	1	1	1	1	1	1	3	3	1	1	1	1
		4	4	4	4	4	4	4	4	4	4	4	4	4	4
		7	7					7	7						
			4		4		4		4		6		4		4
		4	4	4	4	4	4	4	4	4	6	4	4	4	4

STAREC WHEEL
HIGH PERF. WHEEL
MOUNTAIN BIKE WHEEL
SPINERGY LXX WHEEL
HUB BRAKE WHEEL



4cm

ALUMINUM		BLACK ALUMINUM		TITANIUM		STEEL		SUPERGRIP		SURGE	
											
SPOKE GUARD	NO SPOKE GUARD	SPOKE GUARD	NO SPOKE GUARD	SPOKE GUARD	NO SPOKE GUARD	SPOKE GUARD	NO SPOKE GUARD	SPOKE GUARD	NO SPOKE GUARD	SPOKE GUARD	NO SPOKE GUARD
		3	2								
		6	5								
		9	8								
			5								
		6	5								

STAREC WHEEL
HIGH PERF. WHEEL
MOUNTAINBIKE WHEEL
SPINERGY LXX WHEEL
HUB BRAKE WHEEL

SCM_348A






Rear Wheels - Handrim Hardware

Item Number	Note	Part Number	Description	Quantity Per	
				Package	Assembly
1		1495958	Kit, Hardware, Handrim (3 cm)	1	2
2		1495959	Kit, Hardware, Handrim (4 cm)	1	2
3		1495961	Kit, Hardware, Handrim w/ Spokes Guard (4cm)	1	2
4		1496019	Kit, Hardware, Handrim, High Performance (3 cm)	1	2
5		1496020	Kit, Hardware, Handrim, High Performance (4cm)	1	2
6		1497111	Kit, Hardware, Handrim, High Performance w/ Spokes Guard (4cm)	1	2
7		1496015	Kit, Hardware, Handrim, Mountain Bike (3cm)	1	2
8		1496016	Kit, Hardware, Handrim, Mountain Bike (4cm)	1	2
9		1496018	Pkg., Hardware, Handrim, Mountain Bike w/ Spoke Guard (4cm)	1	2

Rear Wheels - Tires

TIRES

RIGHTRUN BLK/GREY TIRE	TREADED TIRE	MARATHON EVO	SCHWALBE TIRE	RIGHTRUN BLUE TIRE	MOUNTAIN BIKE TIRE	SOLID TIRE
						
22" 24" 25" 26"	22" 24" 24" 25" 26"	24" 25" 26"	24" 25"	24"	24"	22" 24"

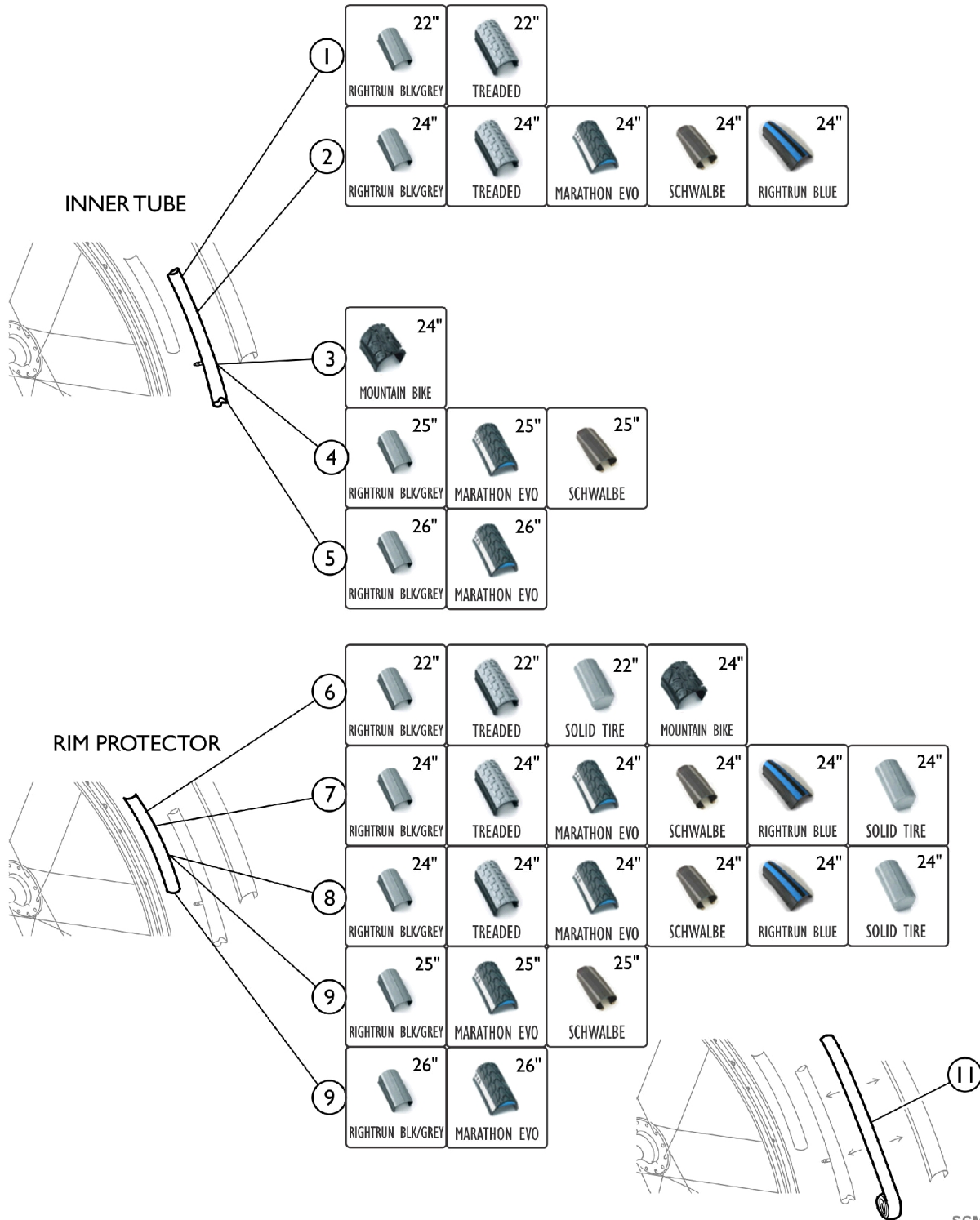
 STAREC WHEEL	1	4		14	2	5	6		15	7		8			3	10
 HIGH PERFORMANCE		4	11			5	6	12		7	13	8				
 MOUNTAIN BIKE														9		
 SPINERGY Lxk		4				5	6			7		8				
 HUB BRAKE		4				5	6			7		8				10

SCM_349A

Rear Wheels - Tires

Item Number	Note	Part Number	Description	Quantity Per	
				Package	Assembly
1		SP1590117	Tire, Rightrun, Black/Grey (22")	1	2
2		1570836	Tire, Treaded (22")	1	2
3		1570837	Tire, Solid, Light, Grey (22")	1	2
4		SP1590118	Tire, Rightrun, Black/Grey (24")	1	2
5		1570829	Tire, Treaded (24")	1	2
6		1570838	Tire, Marathon Plus Evo (24")	1	2
7		1578802	Tire, Schwalbe One (24")	1	2
8		1562581	Tire, Rightrun Blue (24")	1	2
9		1570830	Tire, Mountain Bike (24")	1	2
10		1570839	Tire, Solid, Light, Grey (24")	1	2
11		SP1590412	Tire, Rightrun Black/Grey (25")	1	2
12		1570841	Tire, Marathon Plus Evo (25")	1	2
13		1578803	Tire, Schwalbe One (25")	1	2
14		SP1590119	Tire, Rightrun, Black/Grey (26")	1	2
15		1570842	Tire, Marathon Plus Evo (26")	1	2

Rear Wheels - Inner Tube and Rim Protection



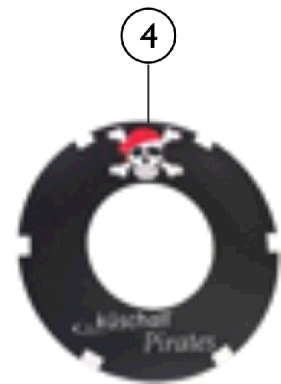
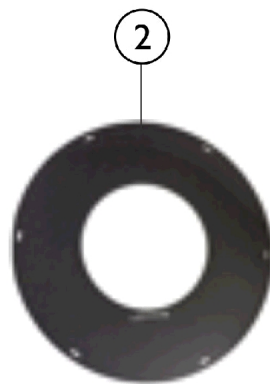
SCM_350A

Rear Wheels - Inner Tube and Rim Protection

Item Number	Note	Part Number	Description	Quantity Per	
				Package	Assembly
1		1570848	Inner Tube (22" x 1")	1	2
2		1570849	Inner Tube (24" x 1")	1	2
3		1570852	Inner Tube, Mountain Bike (24")	1	2
4		1570851	Inner Tube, High-Performance Wheel (26")	1	2
5		1570850	Inner Tube (26" x 1")	1	2
6		1570844	Rim Protection (22")	1	2
7		1570845	Rim Protection (24" Large)	1	2
8		1495962	Rim Protection, High Performance / Spinergy Wheel (24")	1	2
9		1570846	Rim Protection (26")	1	2
11		1571072	Rear Wheel Insert Flat Free (20, 22, 24, 26" Tire)	1	2

Rear Wheels - Spoke Guards

24" STAREC Wheel	24" STAREC Wheel	24" STAREC Wheel	24" STAREC Wheel
24" High Performance	24" High Performance	24" High Performance	24" High Performance
24" Spinergy	24" Spinergy	24" Spinergy	24" Spinergy
24" Hub Brake Wheel	24" Hub Brake Wheel	24" Hub Brake Wheel	24" Hub Brake Wheel



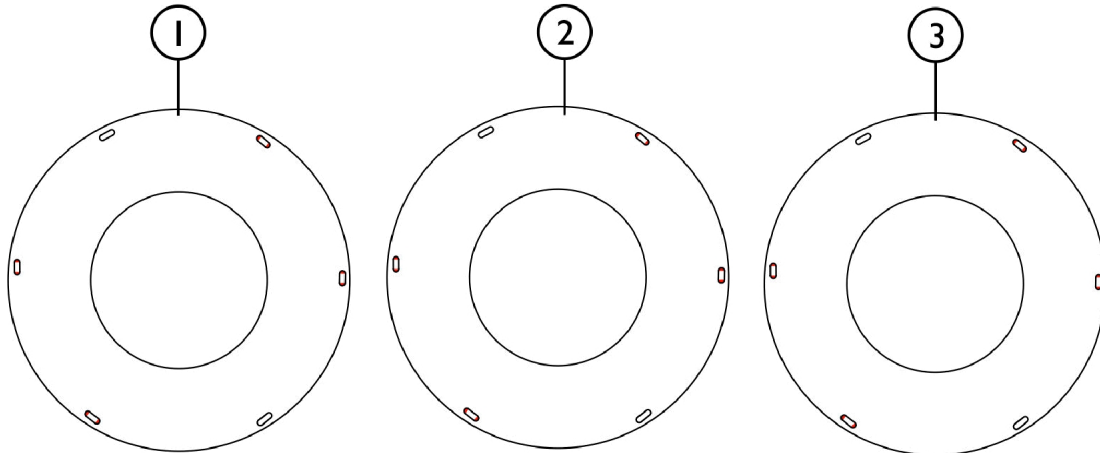
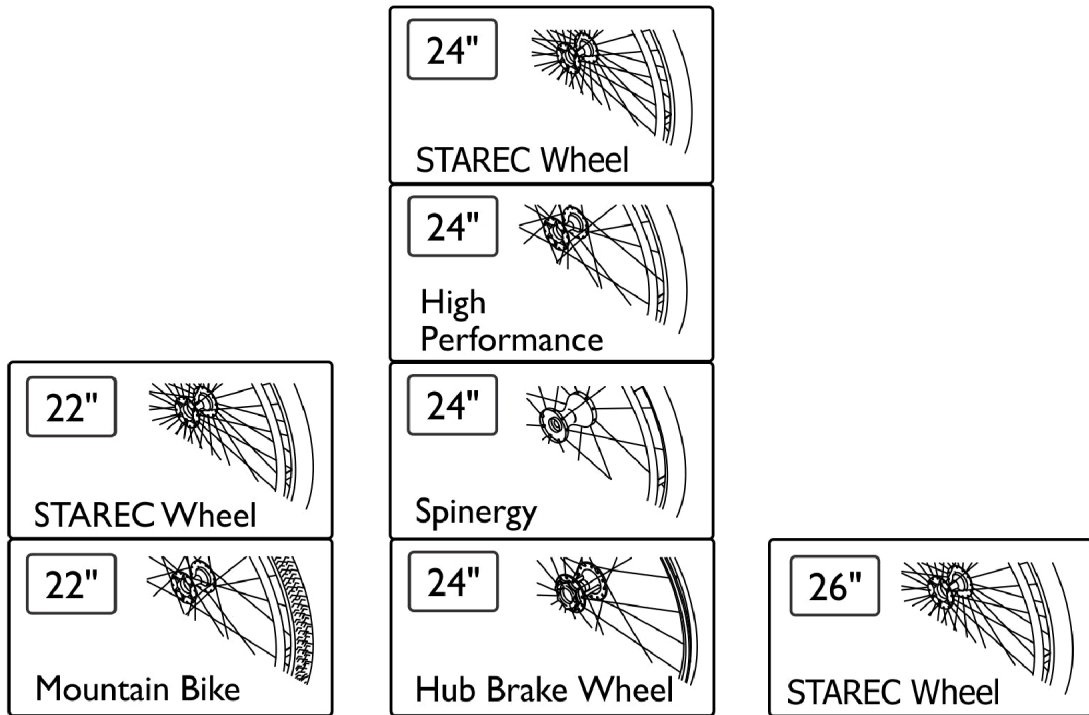
SCM_351A

Rear Wheels - Spoke Guards

Item Number	Note	Part Number	Description	Quantity Per	
				Package	Assembly
1	A	1564456	Spoke Guard Kuschall, Black (24")	1	2
2	A	1564459	Spoke Guard, Carbon (24")	1	2
3	A	1564462	Spoke Guard, Switzerland (24")	1	2
4	A	1564463	Spoke Guard, Pirates (24")	1	2

NOTE: A - Used with Starec Wheels, High Performance, Spinerger and Hub Brake Wheels.

Rear Wheels - Spoke Guards - Transparent



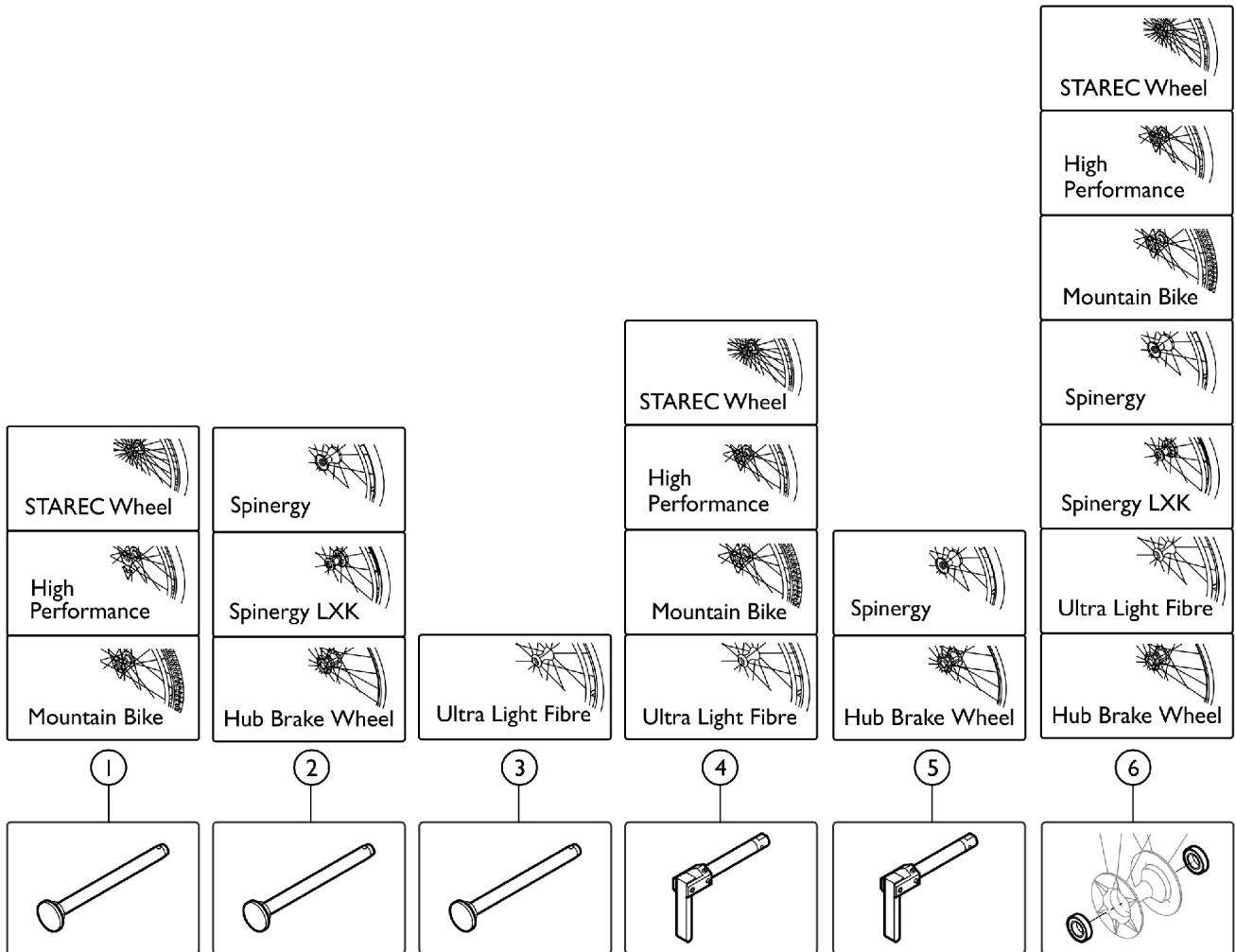
SCM_360A

Rear Wheels - Spoke Guards - Transparent

Item Number	Note	Part Number	Description	Quantity Per	
				Package	Assembly
1	A	1564453	Spoke Guard, Transparent (22")	1	2
2	B	1564457	Spoke Guard, Transparent (24")	1	2
3	C	1564492	Spoke Guard, Transparent (26")	1	2

NOTE: A - Used with Starec and Mountainbike Wheels.
 B - Used with Starec, High Performance, Spinergy and Hub Brake Wheels.
 C - Used with Starec Wheels.

Rear Wheels - Quick Release Axles and Bearings



SCM_352A

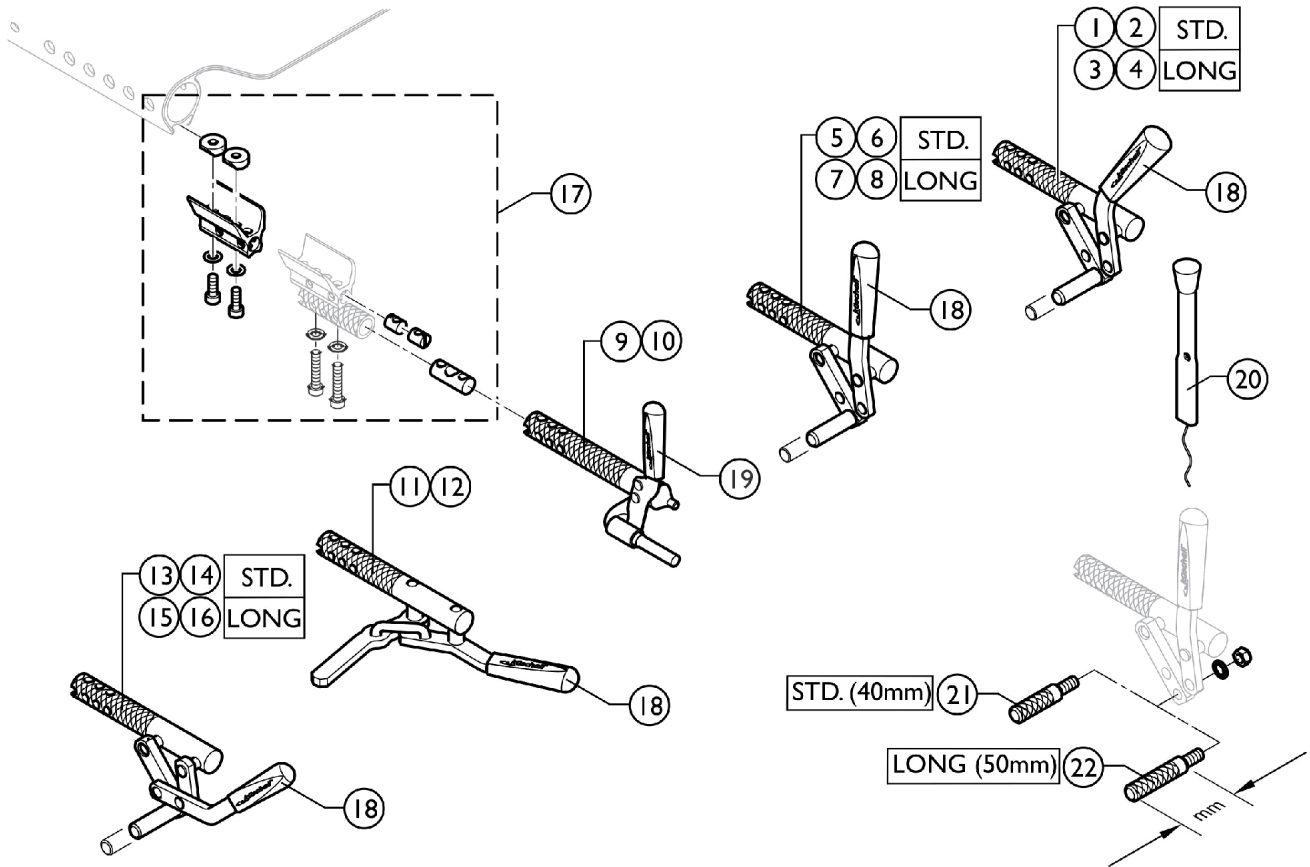
Rear Wheels - Quick Release Axles and Bearings

Item Number	Note	Part Number	Description	Quantity Per	
				Package	Assembly
1		See Chart	Item #1. Quick Release Axle - Long (Pair)	2	1
2		1493755	Tetra Clip w/ Quick Release Axle (Pair), Long	2	1
3		1507627	Quick Release Axle, Long w/ Cap, Spinergy Wheel (Pair)	2	1
4		1512029	Tetra Clip, Quick Release Axle, Long, Spinergy Wheel (Pair)	2	1
5		1547629	Quick Release Axle, Long w/ Cap (Pair), Polished	2	1
6		1571069	Bearing R8-2RS 1/2"/1.1/8"x5/16" (Pair)	2	1

Item #1. Quick Release Axle - Long (Pair)

Color	Part Number
Arctic Blue	1509137-0441
B - Blue	1509137-0404
Black	1509137-0004
Chrome	1509137-0001
Champagne	1509137-0182
Clear	1509137-0407
Comet Red	1509137-0440
Copper Glaze	1509137-0444
Olive	1509137-0183
Techno-Anthracite	1509137-0400

Rear Wheels - Wheel Locks

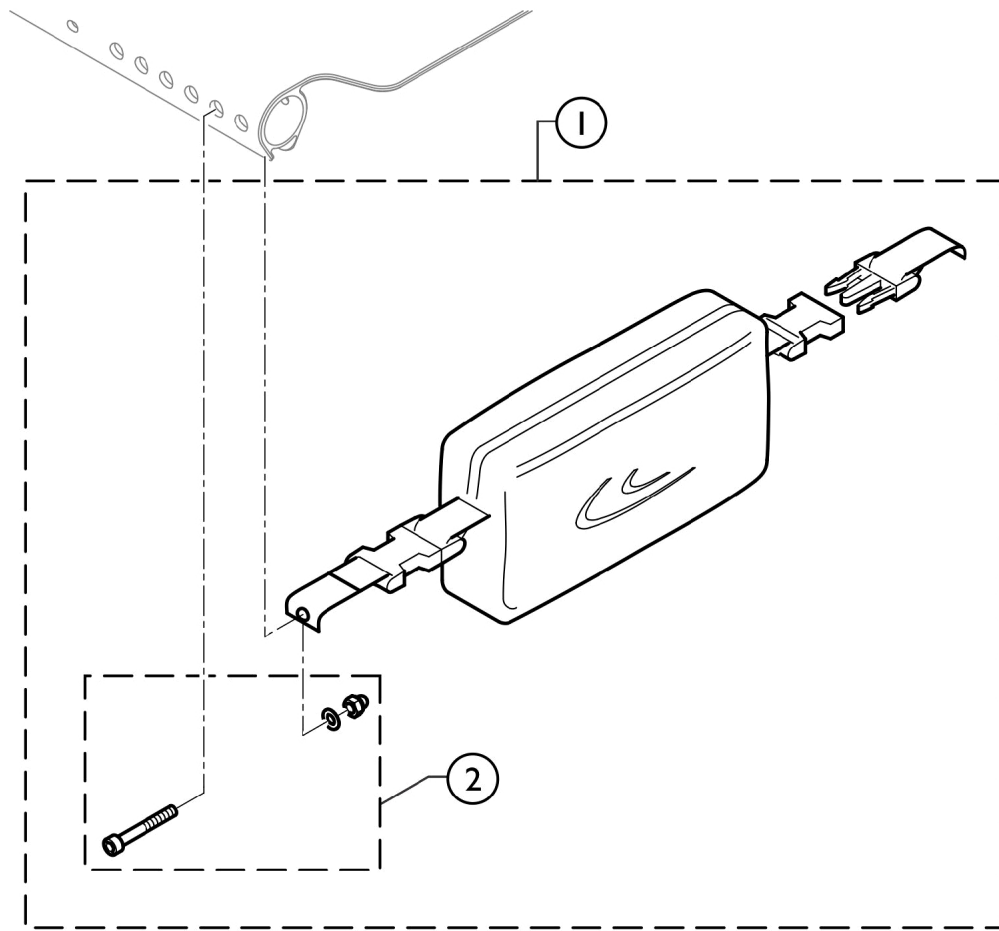


SCM_339A

Rear Wheels - Wheel Locks

Item Number	Note	Part Number	Description	Quantity Per	
				Package	Assembly
1		1562583	Brake, Bent Lever, Left	1	1
2		1562584	Brake, Bent Lever, Right	1	1
3		1562585	Brake, Bent Lever, Long Shoe, Left	1	1
4		1562586	Brake, Bent Lever, Long Shoe, Right	1	1
5		1562587	Brake, Straight Lever, Left	1	1
6		1562588	Brake, Straight Lever, Right	1	1
7		1562589	Brake, Straight Lever, Long Shoe, Left	1	1
8		1562590	Brake, Straight Lever, Long Shoe, Right	1	1
9		1562591	Performance Brake, Left	1	1
10		1562592	Performance Brake, Right	1	1
11		SP1512133	Active Brake Left	1	1
12		SP1512134	Active Brake Right	1	1
13		1562595	Pull Brake, Left	1	1
14		1562596	Pull Brake, Right	1	1
15		1562597	Pull Brake, Long Shoe Left	1	1
16		1562598	Pull Brake, Long Shoe Right	1	1
17		1562599	Brake Clamp, Set	1	1
18		1513177	Brake Handle Standard (Pair)	2	1
19		1513178	Brake Handle, Performance Brake (Pair)	2	1
20		1513179	Brake Lever Extension (Pair)	2	1
21		1579328	Kit, Brake Shoe Standard (40mm)	1	1
22		1579329	Kit, Brake Shoe Long (50mm), 4 Pcs.	1	1

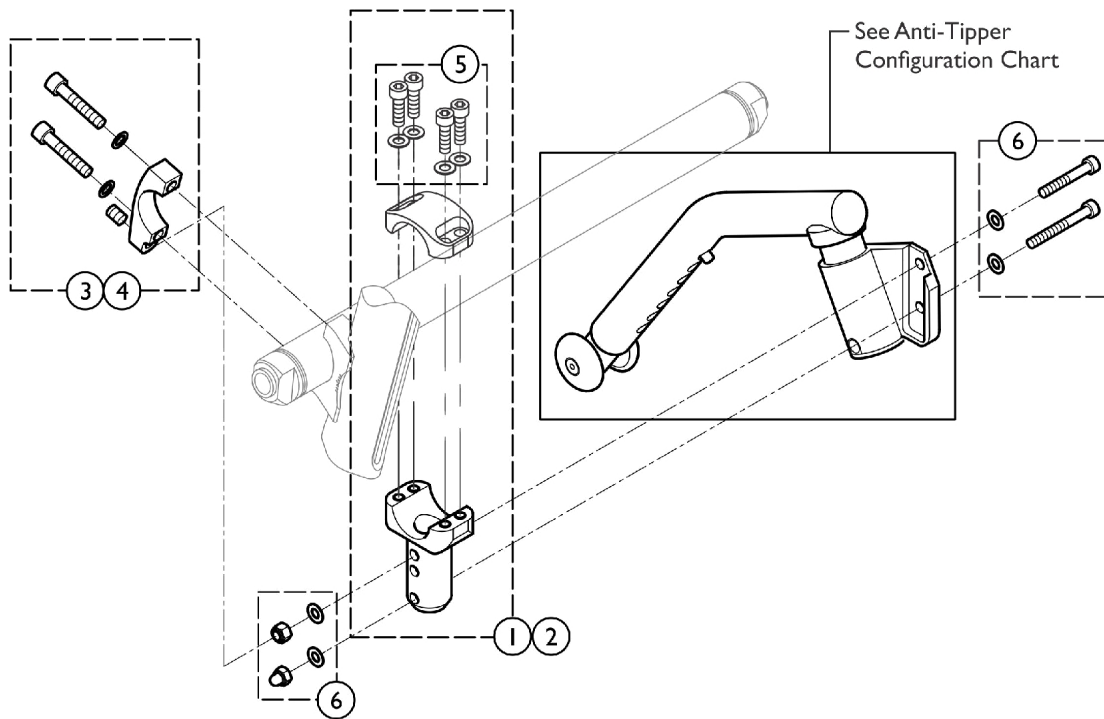
Options and Accessories - Seat Bag



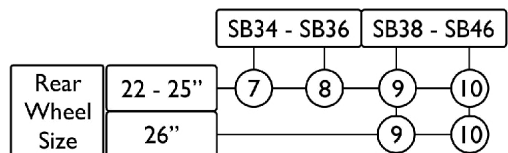
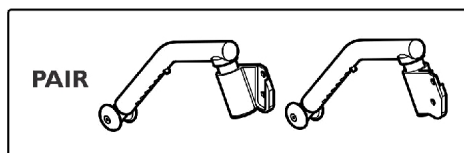
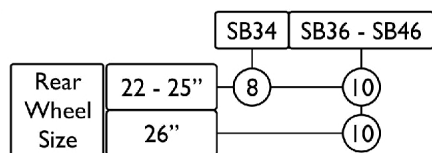
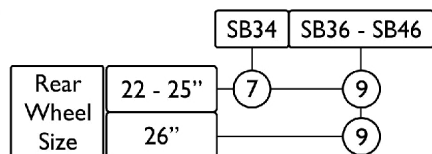
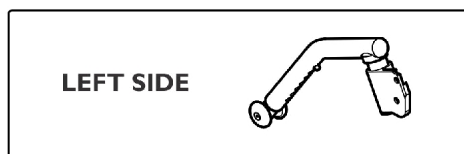
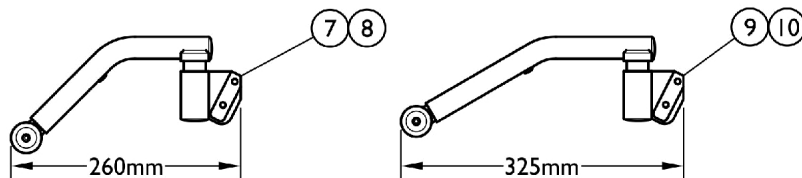
SCM_340A

Item Number	Note	Part Number	Description	Quantity Per	
				Package	Assembly
1		1562607	Seat Bag	1	1
2		1562608	Kit, Hardware, Seat Bag	1	1

Options and Accessories - Anti-Tipper



Anti-Tipper Configuration Chart

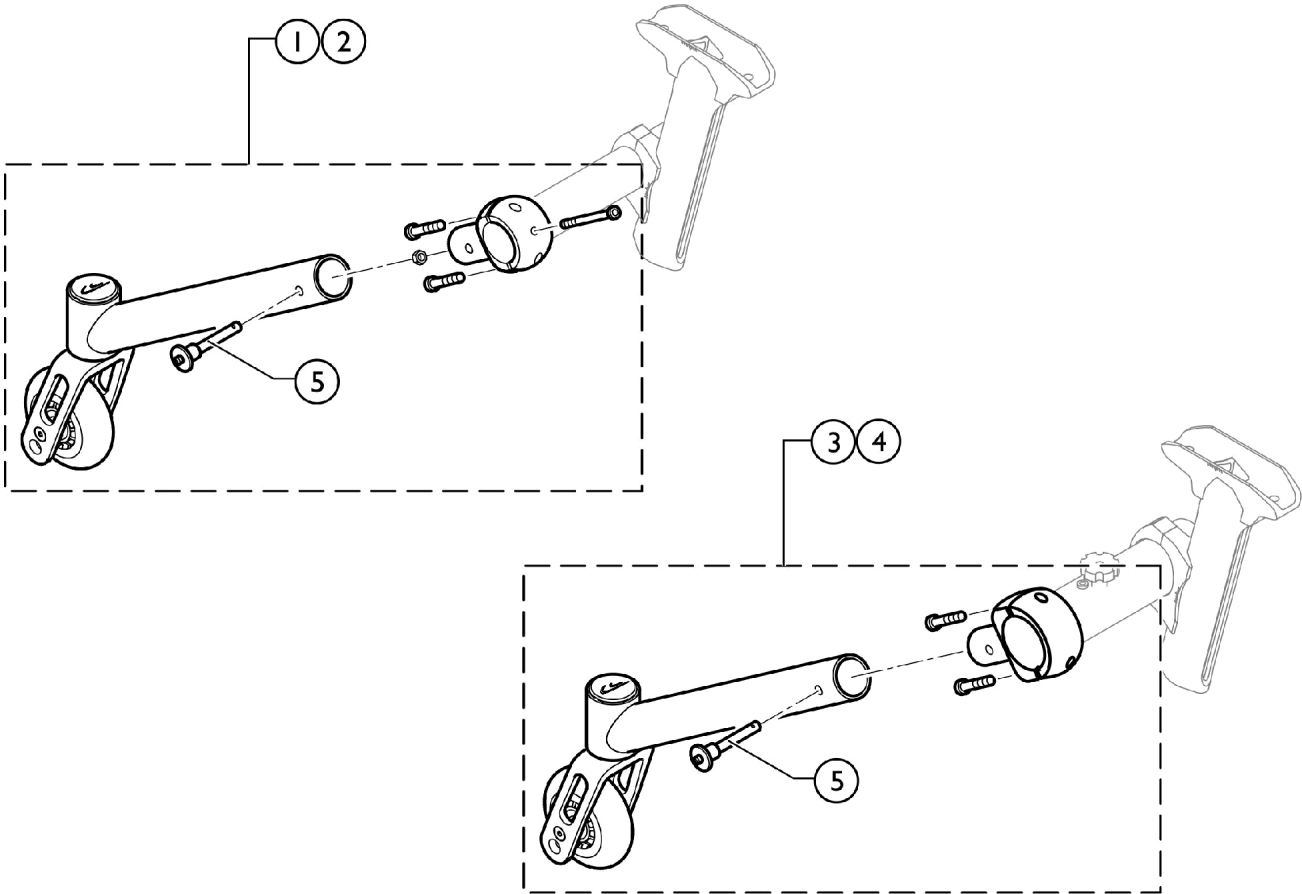


SCM_341A

Options and Accessories - Anti-Tipper

Item Number	Note	Part Number	Description	Quantity Per	
				Package	Assembly
1		1562617	Adaption Holder, Axle Ø30, Complete	1	1
2		1562618	Adaption Holder, Vario-Ax Ø40, Complete	1	1
3		SP1590028	Axle Holder w/ Stop, Adaptation, Ø30	1	1
4		SP1590029	Axle Holder w/ Stop, Adaptation, Ø40	1	1
5		1562619	Kit, Hardware, Adaption Holder	1	1
6		1562621	Kit, Hardware, Adaptions	1	1
7		SP1590076	Anti-Tipper, Short - Left	1	1
8		SP1590077	Anti-Tipper, Short - Right	1	1
9		SP1590078	Anti-Tipper, Long - Left	1	1
10		SP1590079	Anti-Tipper, Long - Right	1	1

Options and Accessories - Active Anti-Tipper

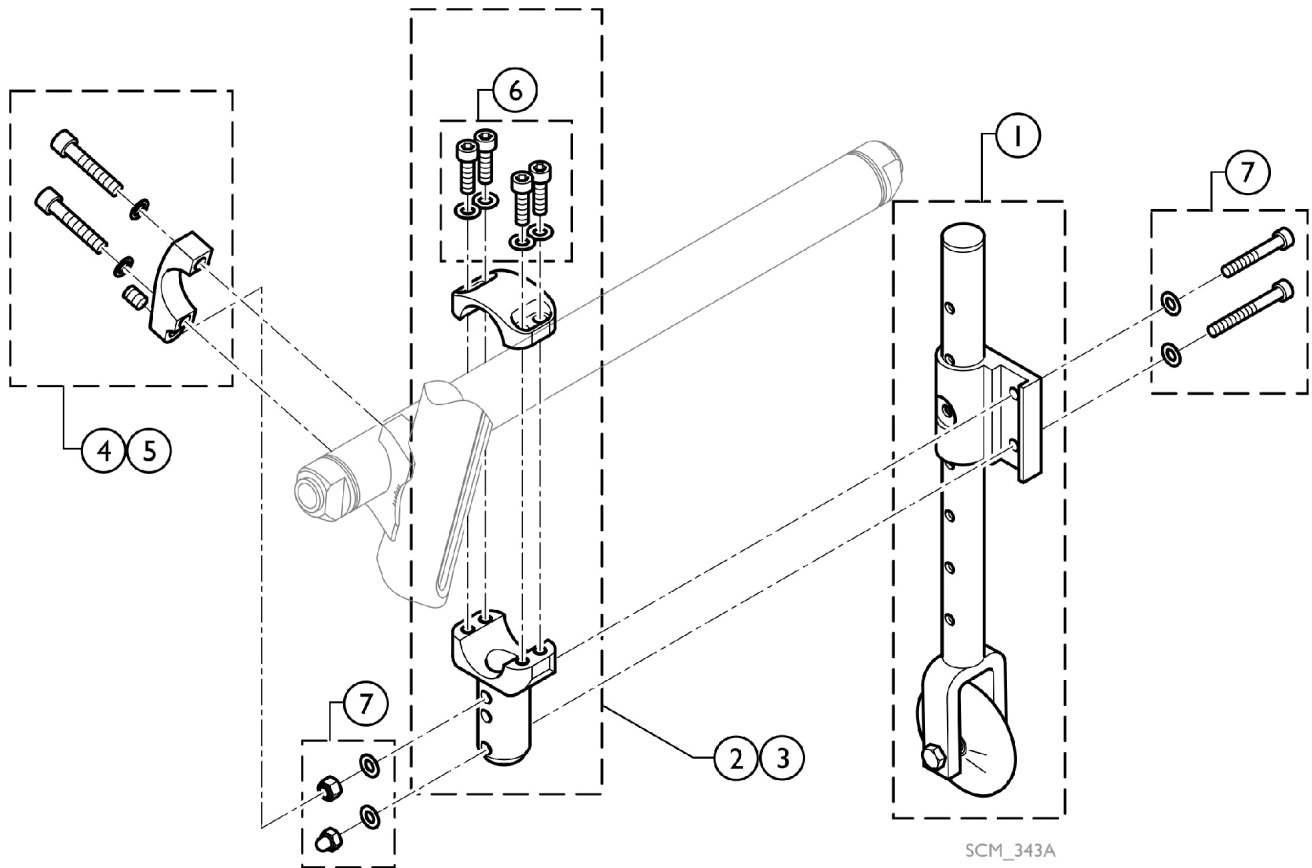


SCM_342A

Options and Accessories - Active Anti-Tipper

Item Number	Note	Part Number	Description	Quantity Per	
				Package	Assembly
1		1517871	Active Anti-Tipper, Standard Axle Ø30, 20" and 22" Wheels	1	1
2	A	1517873	Active Anti-Tipper, Standard Axle Ø30, 24" and 25" Wheels	1	1
3		1517872	Active Anti-Tipper, Vario-Ax Ø40, 20" and 22" Wheels	1	1
4	A	1517874	Active Anti-Tipper, Vario-Ax Ø40, 24" and 25" Wheels	1	1
5		1517877	Quickpin Hardware	1	1
NOTE: A - Used for 24"-26" Wheels					

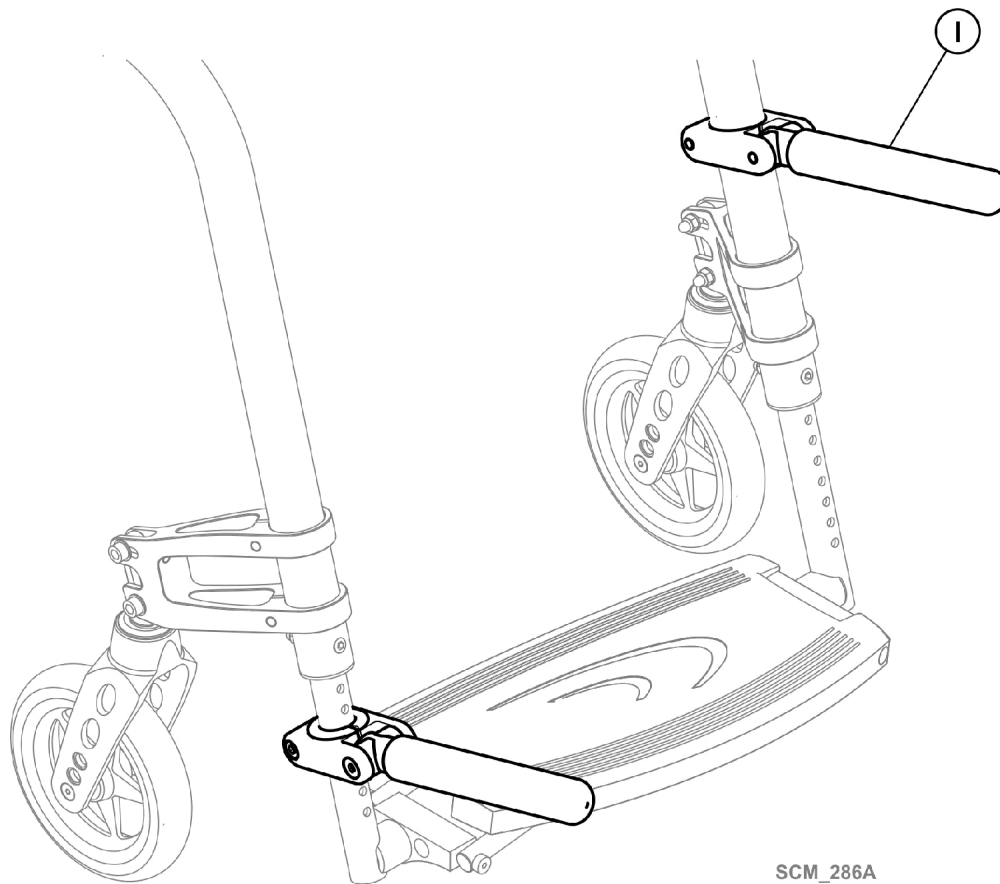
Options and Accessories - Transit Wheels



Options and Accessories - Transit Wheels

Item Number	Note	Part Number	Description	Quantity Per	
				Package	Assembly
1		1451791	Transit Wheels (Pair)	2	1
2		1562617	Adaption Holder, Axle Ø30, Complete	1	1
3		1562618	Adaption Holder, Vario-Ax Ø40, Complete	1	1
4		SP1590081	Axle Holder w/ Stop, Adaptation, Ø30 (Pair)	2	1
5		SP1590089	Axle Holder w/ Stop, Adaptation, Ø40 (Pair)	2	1
6		1562620	Kit, Hardware, Adaption Holder (Pair)	2	1
7		1562622	Kit, Hardware, Adaptions (Pair)	2	1

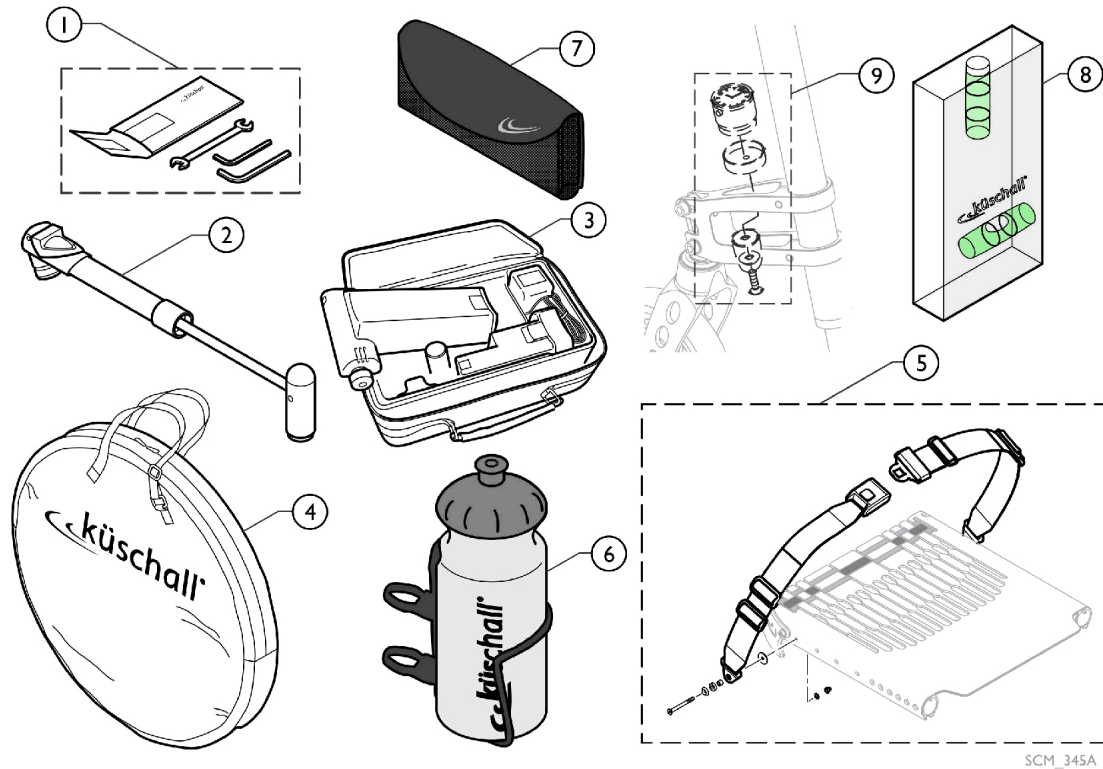
Options and Accessories - Luggage Holder



SCM_286A

Item Number	Note	Part Number	Description	Quantity Per	
				Package	Assembly
1		1547626	Luggage Holder Complete (Pair)	2	1

Options and Accessories - Chair Accessories



SCM_345A

Item Number	Note	Part Number	Description	Quantity Per	
				Package	Assembly
1		1518285	Tool Kit	1	1
2		1517924	Air Pump	1	1
3		1518286	Air Man	1	1
4		1518287	Wheel Bag 24" - 26"	1	1
5		1567137	Positioning Strap Assembly, Auto Style	1	1
6		1547625	Bottle Holder	1	1
7		1547622	Mobile Phone Holder	1	1
8		1567762	Spirit Level	1	1
9		SP1601739	Kit, Küschall Watch Mounted, Supporter, Front Wheel	1	1

Invacare Corporation

www.invacare.com



Yes, you can.

One Invacare Way
Elyria, Oh USA
44036-2125
800-333-6900

Technical Support
800-832-4707
Customer Service
844-695-8724

Fax Orders
866-577-3507

© 2022 Invacare Corporation. All rights reserved. Republication, duplication or modification in whole or in part is prohibited without prior written permission from Invacare. Trademarks are identified by ™ and ®. All trademarks are owned by or licensed to Invacare Corporation or its subsidiaries unless otherwise noted. (Revised 08/18/22)

Form No. 16-251