

**Küschall® K-Series attract™
Wheelchair**



Yes, you can.

Parts Catalog Usage Guide

The information contained in this document is subject to change without notice. This catalog contains service parts for Form No. 16-250. If you have any questions regarding this catalog, please contact one of our Customer Service Representatives.

**For Customer Service Support Call:
844-MY KUSCH (695-8724)**

**For Faxed In Orders Call:
866-577-3507**

**For Technical Service Call:
800-832-4707**

**Literature Can Be Found at:
www.invacare.com**

SYMBOL DEFINITION

Throughout this catalog you will notice letters to draw your attention to specific footnotes which are located at the bottom of the page or below specified charts.

Examples:

A,B,C etc. = Special Comments
NOTE: = General information pertaining to that specific page
NLA = No Longer Available

HARDWARE MEASUREMENTS

The measurements for the hardware will be listed as follows:

Screws, Bolts Diameter X Thread Count/Pitch X Length
Washers Inside Diameter X Outside Diameter X Thickness
Spacers Inside Diameter X Outside Diameter X Length

For your convenience, we have supplied an area for you to list your Invacare Representatives.

Name	Phone Numbers

© 2022 Invacare Corporation. All rights reserved. Republication, duplication or modification in whole or in part is prohibited without prior written permission from Invacare. Trademarks are identified by ™ and ®. All trademarks are owned by or licensed to Invacare Corporation or its subsidiaries unless otherwise noted.

TABLE of CONTENTS

Description	Page Number
Abbreviations - Wheelchair Dimensions	5
Appearance - Frame Colors	6
Backrest - Adjustable Bands	28
Backrest - Cover - Adjustable Bands	30
Backrest - Matrix Back	26
Backrest - Push Handles - Adjustable Height - Rear Set	32
Backrest - Straight Bar	24
Chassis - Axle Holder	13
Chassis - Axle Tube - Aluminum	11
Chassis - Frame - Adducted - 75 degree	7
Chassis - Frame - Adducted - 90 degree	9
Chassis - Standard Rear Wheel Extension	15
Footrest - Adducted Frame	34
Footrest - Adjustable Angle - Adducted Frame	37
Footrest - Adjustable Angle - High Mounted - Adducted Frame	42
Footrest - Calf Strap	44
Footrest - High Mounted - Adducted Frame	39
Front Wheels - Casters	57
Front Wheels - Standard Forks	55
Options and Accessories - Anti-Tippers	77
Options and Accessories - Cane Holder	80

TABLE of CONTENTS

Description	Page Number
Options and Accessories - Chair Accessories	82
Options and Accessories - Positioning Strap	75
Options and Accessories - Seat Frame Bag	76
Options and Accessories - Tipping Aid	78
Rear Wheels - Active (24")	60
Rear Wheels - Handrim Hardware (24" Wheel)	66
Rear Wheels - Handrims (24" Wheel)	65
Rear Wheels - High Performance (24")	62
Rear Wheels - Inner Tube and Rim Protection	69
Rear Wheels - Kuschall (Starec) Wheel (24")	59
Rear Wheels - Quick Release Axle w/ Hardware	72
Rear Wheels - Spinergy LXX (24" and 25")	63
Rear Wheels - Spoke Guard - Transparent	71
Rear Wheels - Tires (24" Wheel)	67
Rear Wheels - Wheel Locks	73
Seating - Adjustable Seat Cover	19
Seating - Seat Module	17
Seating - Standard Seat Cover	21
Seating - Standard Seat Cushion	23
Siderests - Armrest - Adjustable Height	53
Siderests - Clothes Guard - Carbon	47

TABLE of CONTENTS

Description	Page Number
Siderests - Clothes Guard - Composite	45
Siderests - Mudguards - Carbon	51
Siderests - Mudguards - Composite	49

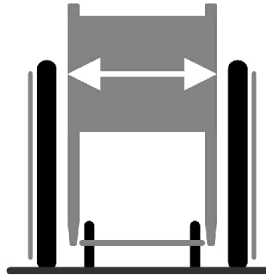
Abbreviations - Wheelchair Dimensions

Dimension Key:

XX = Dimensions in CM

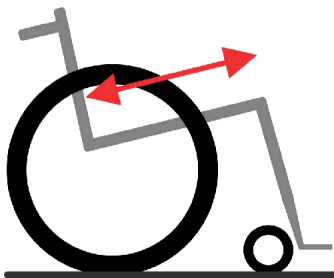
XXX = Dimensions in MM

XX,A = Metric Decimal

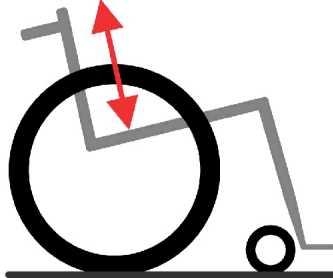


SB (SEAT WIDTH)

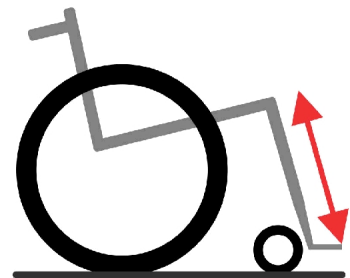
ST (SEAT DEPTH)



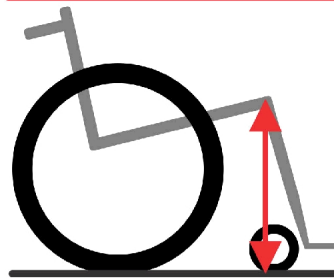
RH (BACK HEIGHT)



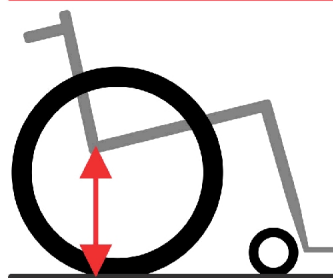
UL (KNEE TO HEEL DEPTH)



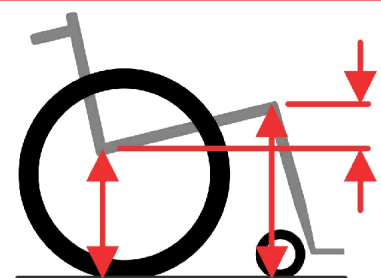
SHv (FRONT SEAT TO FLOOR)



SHh (REAR SEAT TO FLOOR)



SHD (FRONT TO REAR DIFFERENCE)



SCM_290A

Appearance - Frame Colors

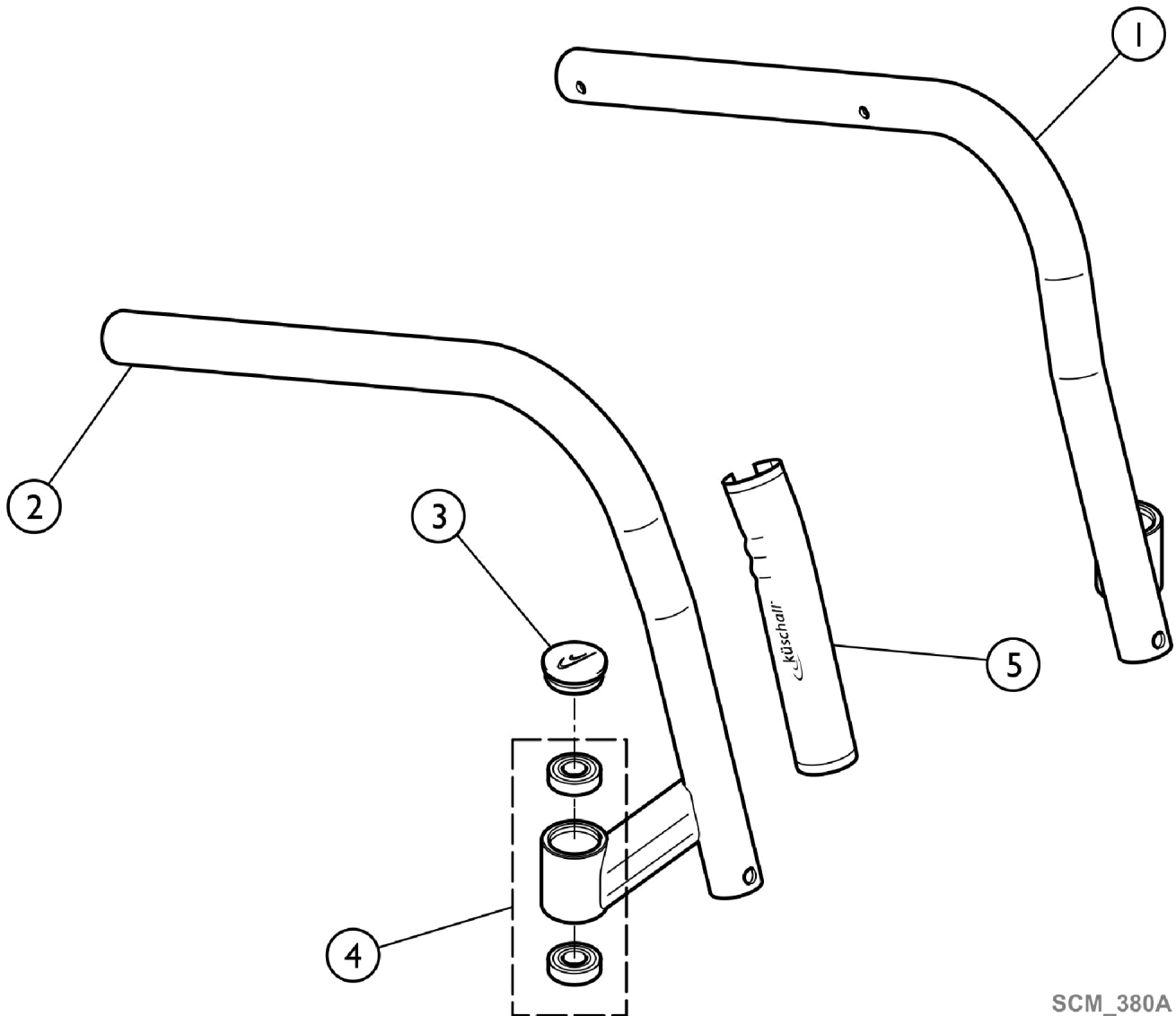


ATTRACT COLORS

Appearance - Frame Colors

Frame Color Code Number	Frame Color Description	Frame Color Code Number	Frame Color Description
-0453	Attract Blue	-0455	Attract Grey
-0454	Attract Black	-0456	Attract Red

Frame - Adducted - 75 degree



SCM_380A

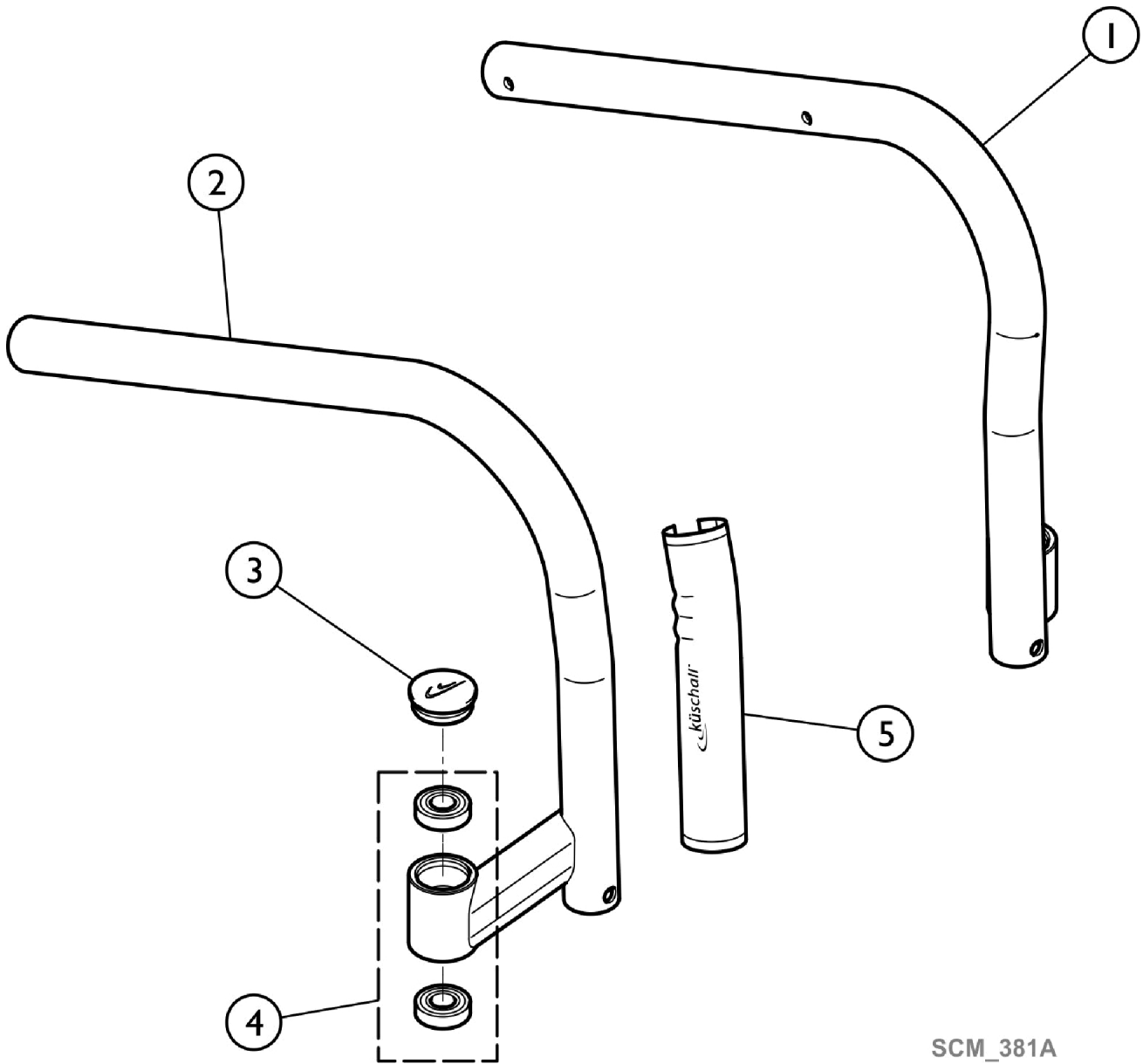
Frame - Adducted - 75 degree

Item Number	Note	Part Number	Description	Quantity Per	
				Package	Assembly
1-2		See Chart	Items #1-2. Frame - Adducted - 75 Degree	1	1
3		1487961-0004	Bearing Block Cap, Black Anodized (Pair)	2	1
4		1451718	Kit, Bearing	1	1
5		1529372	Front Frame Protectors (Pair)	2	1

Items #1-2. Frame - Adducted - 75 Degree

Color	Item #1 Left	Item #2 Right
Attract Blue	1583471-0453	1583472-0453
Attract Black	1583471-0454	1583472-0454
Attract Grey	1583471-0455	1583472-0455
Attract Red	1583471-0456	1583472-0456

Frame - Adducted - 90 degree



SCM_381A

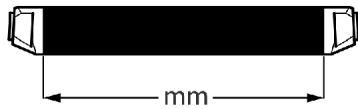
Frame - Adducted - 90 degree

Item Number	Note	Part Number	Description	Quantity Per	
				Package	Assembly
1-2		See Chart	Items #1-2. Frame - Adducted - 90 Degree	1	1
3		1487961-0004	Bearing Block Cap, Black Anodized (Pair)	2	1
4		1451718	Kit, Bearing	1	1
5		1529372	Front Frame Protectors (Pair)	2	1

Items #1-2. Frame - Adducted - 90 Degree

Color	Item #1 Left	Item #2 Right
Attract Blue	1583473-0453	1583474-0453
Attract Black	1583473-0454	1583474-0454
Attract Grey	1583473-0455	1583474-0455
Attract Red	1583473-0456	1583474-0456

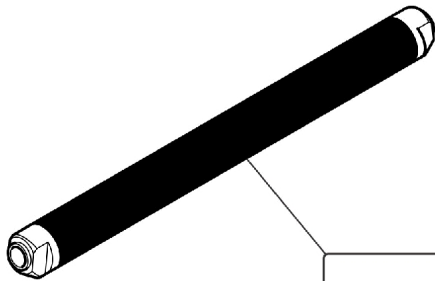
Chassis - Axle Tube - Aluminum



0°



3°



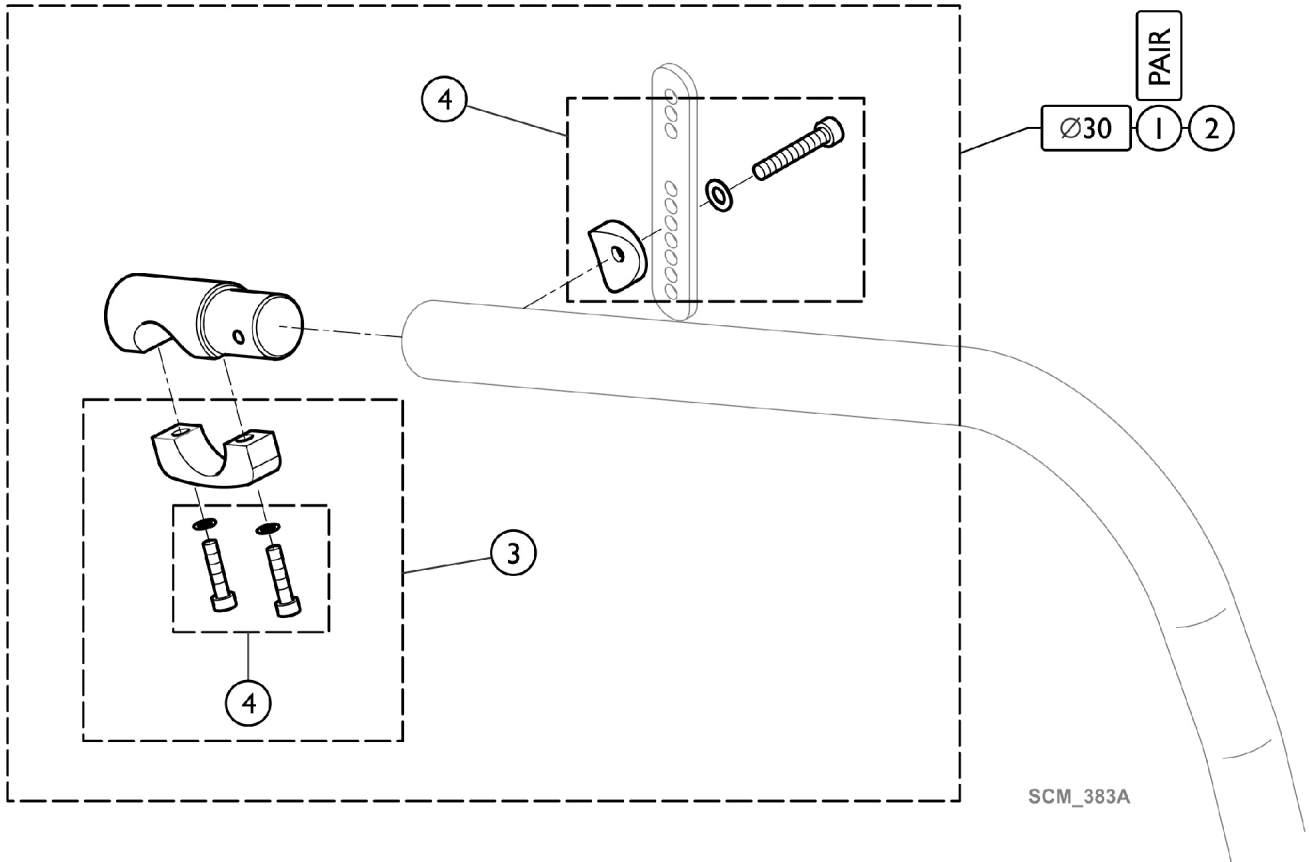
				SB36	SB38	SB40	SB42	SB44	SB46	SB48
		✓	✓	1	2	3	4	5	6	7
		x	✓	2	3	4	5	6	7	8
		✓	✓	9	10	11	12	13	14	15

SCM_382A

Chassis - Axle Tube - Aluminum

Item Number	Note	Part Number	Description	Quantity Per	
				Package	Assembly
1		1583478	Axle Tube Aluminum 0° Complete, 348mm	1	1
2		1583479	Axle Tube Aluminum 0° Complete, 368mm	1	1
3		1583480	Axle Tube Aluminum 0° Complete, 388mm	1	1
4		1583481	Axle Tube Aluminum 0° Complete, 408mm	1	1
5		1583482	Axle Tube Aluminum 0° Complete, 428mm	1	1
6		1583483	Axle Tube Aluminum 0° Complete, 448mm	1	1
7		1583484	Axle Tube Aluminum 0° Complete, 468mm	1	1
8		1583637	Axle Tube Aluminum 0° Complete, 488mm	1	1
9		1583486	Axle Tube Aluminum 3° Complete, 368mm	1	1
10		1583487	Axle Tube Aluminum 3° Complete, 388mm	1	1
11		1583488	Axle Tube Aluminum 3° Complete, 408mm	1	1
12		1583489	Axle Tube Aluminum 3° Complete, 428mm	1	1
13		1583490	Axle Tube Aluminum 3° Complete, 448mm	1	1
14		1583491	Axle Tube Aluminum 3° Complete, 468mm	1	1
15		1583492	Axle Tube Aluminum 3° Complete, 488mm	1	1

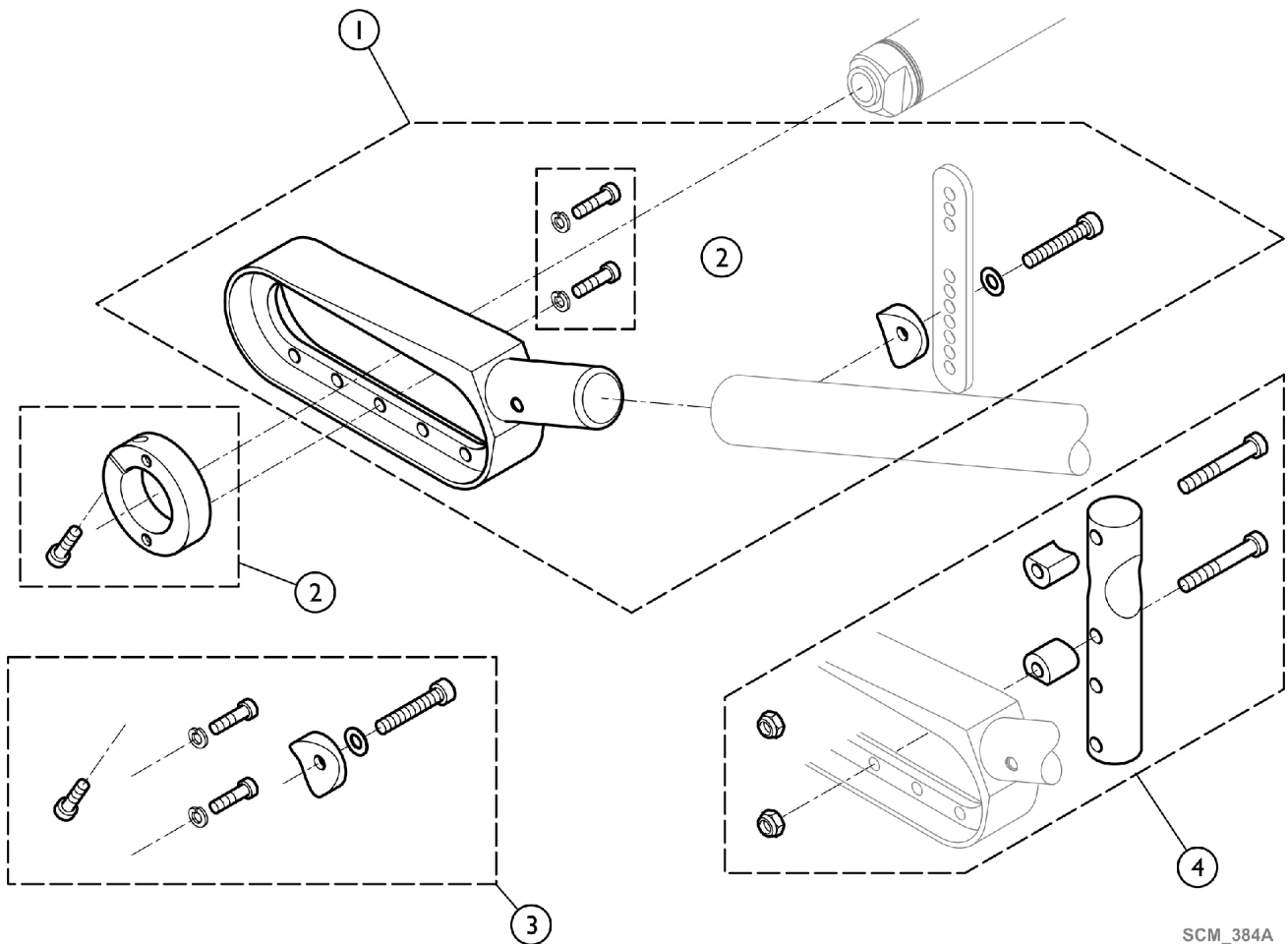
Chassis - Axle Holder



Chassis - Axle Holder

Item Number	Note	Part Number	Description	Quantity Per	
				Package	Assembly
1		1583953	Axle Holder, Complete (Ø30) (Pair)	2	1
2		1583954	Axle Holder, Complete (Ø30)	1	2
3		1583955	Axle Holder Latch (Ø30)	1	2
4		1583956	Kit, Hardware, Axle Holder (Pair)	2	1

Chassis - Standard Rear Wheel Extension

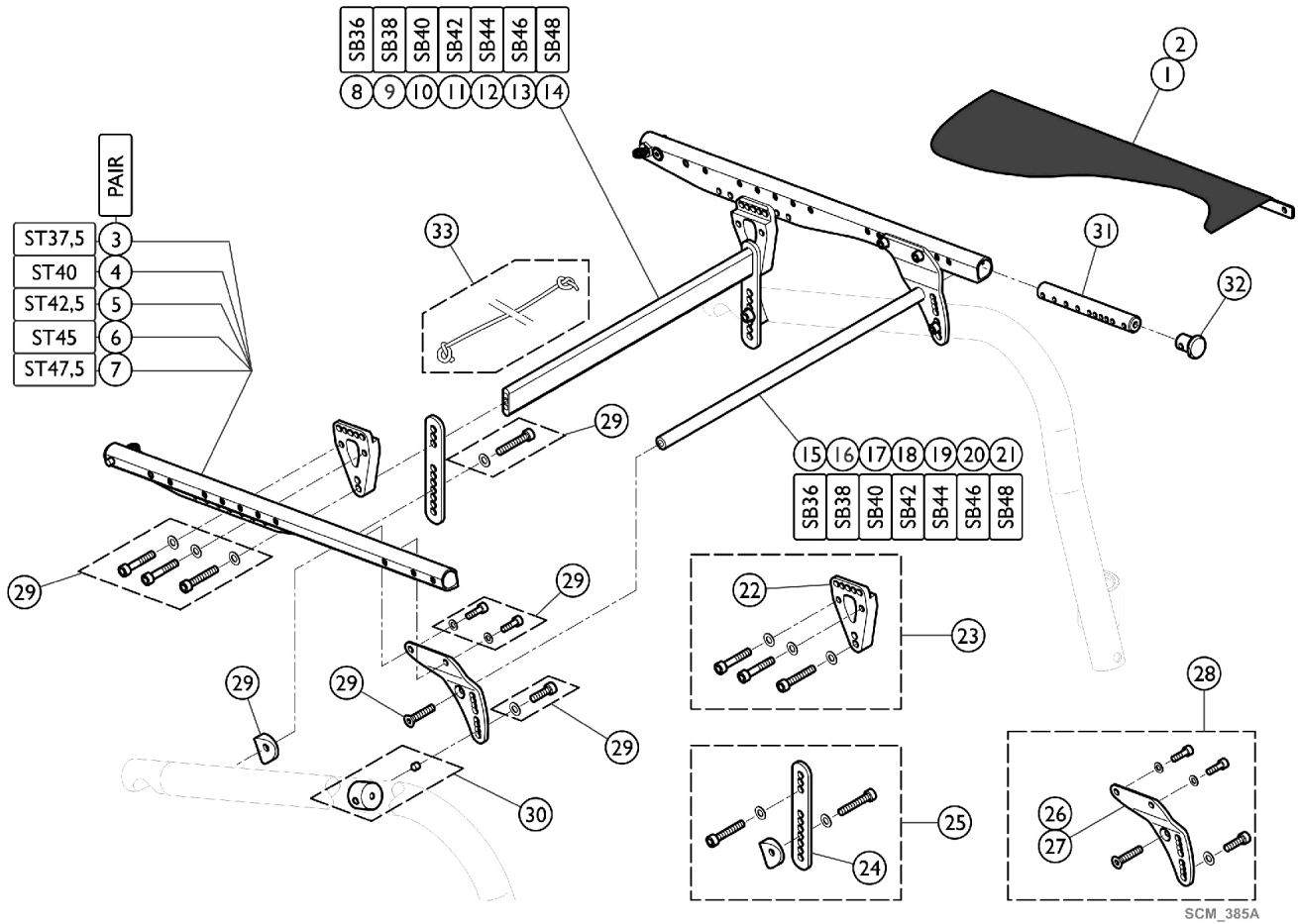


SCM_384A

Chassis - Standard Rear Wheel Extension

Item Number	Note	Part Number	Description	Quantity Per	
				Package	Assembly
1		1589112	Rear Wheel Extension, Standard, Black, Complete	1	2
2		1545857	Kit, Clamping Ring Ø50/30 w/ Screw	1	2
3		1545860	Kit, Rear Wheel Extension (Pair)	2	1
4		1545861	Kit, Adaptater Holder, Rear Wheel Extension, Standard	1	2

Seating - Seat Module



SCM_385A

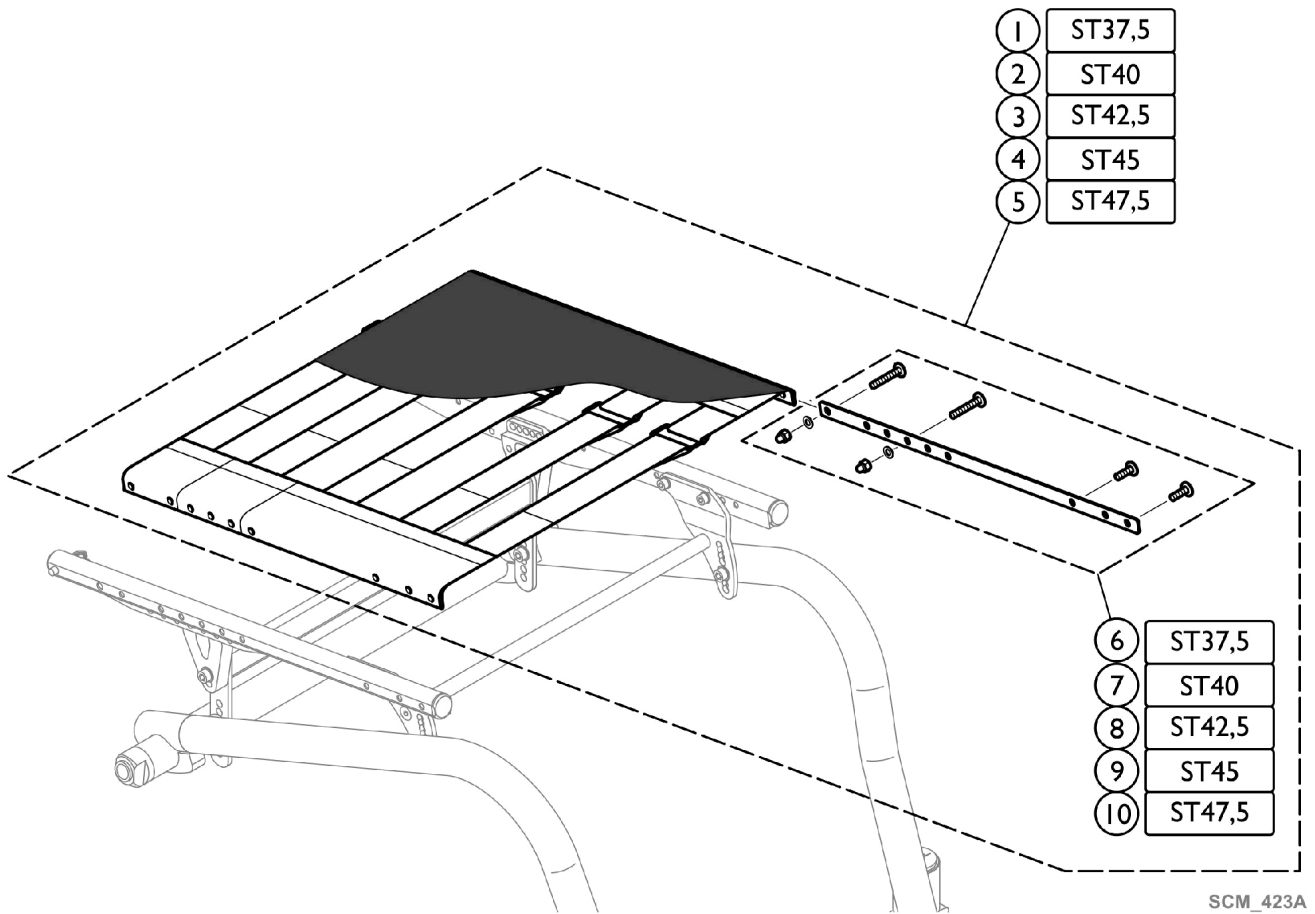
Seating - Seat Module

Item Number	Note	Part Number	Description	Quantity Per	
				Package	Assembly
1		SPS1584000	See Category "Seating - Standard Seat Cover"	1	1
2		SPS1584001	See Category "Seating - Adjustable Cover"	1	1
3-7		See Chart	Items #3 - 7. Seat Module	1	1
8		1583976	Seat Brace Horizontal Rear, 282mm	1	1
9		1583977	Seat Brace Horizontal Rear, 302mm	1	1
10		1583978	Seat Brace Horizontal Rear, 322mm	1	1
11		1583979	Seat Brace Horizontal Rear, 342mm	1	1
12		1583980	Seat Brace Horizontal Rear, 362mm	1	1
13		1583981	Seat Brace Horizontal Rear, 382mm	1	1
14		1583982	Seat Brace Horizontal Rear, 402mm	1	1
15		1583983	Seat Brace Horizontal, 289mm	1	1
16		1583984	Seat Brace Horizontal, 309mm	1	1
17		1583985	Seat Brace Horizontal, 329mm	1	1
18		1583986	Seat Brace Horizontal, 349mm	1	1
19		1583987	Seat Brace Horizontal, 369mm	1	1
20		1583988	Seat Brace Horizontal, 389mm	1	1
21		1583989	Seat Brace Horizontal, 409mm	1	1
22		1583990	Hinge Bracket Seat Frame, Rear	1	1
23		1583991	Hinge Bracket-Set Seat Frame, Rear (Pair)	2	1
24		1583992	Seat Brace Vertical	1	1
25		1583993	Seat Brace-Set Vertical (Pair)	2	1
26		1583994	Hinge Bracket Front Seat, Right	1	1
27		1583995	Hinge Bracket Front Seat, Left	1	1
28		1583996	Hinge Bracket-Set Front Seat Frame (Pair)	2	1
29		1583997	Kit, Hardware, Hinge Brackets	1	1
30		1583998	Threadet Sleeve (Pair)	2	1
31		1583999	Thread Insert Front Seat Frame (Pair)	2	1
32		1486539-0004	Seat Module Plug, Black Anodized (Pair)	2	1
33		1554427	Cord, Backrest, Foldable	1	1

Items #3 - 7. Seat Module

Item Number	Size	Pair Part No.
3	ST37,5	1583961
4	ST40	1583962
5	ST42,5	1583963
6	ST45	1583964
7	ST47,5	1583965

Seating - Adjustable Seat Cover



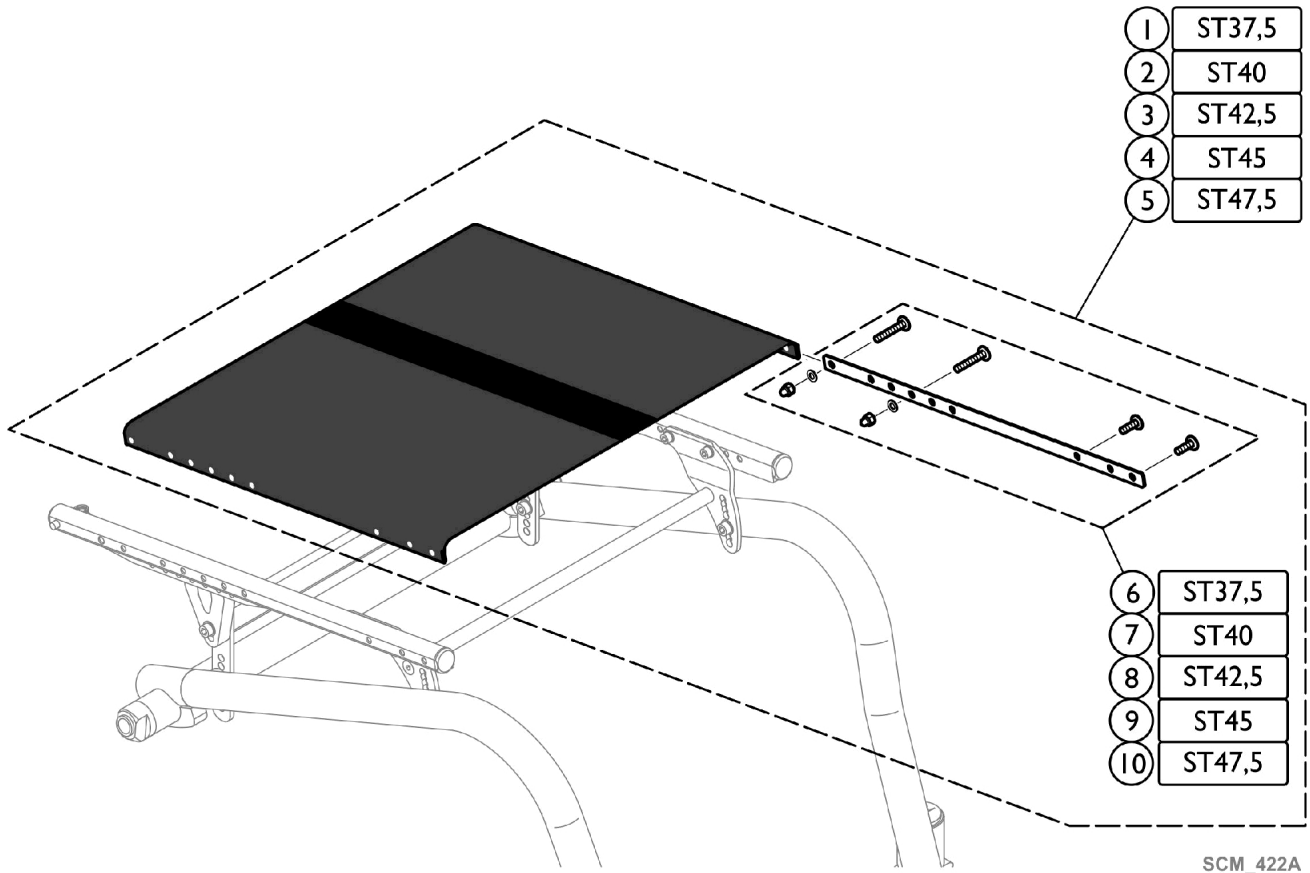
Seating - Adjustable Seat Cover

Item Number	Note	Part Number	Description	Quantity Per	
				Package	Assembly
1-5		See Chart	Items #1-5. Adjustable Seat Cover	1	1
6		1584676	Kit, Seat Rail - ST37,5 (Pair)	2	1
7		1584677	Kit, Seat Rail - ST40 (Pair)	2	1
8		1584748	Kit, Seat Rail - ST42,5 (Pair)	2	1
9		1584749	Kit, Seat Rail - ST45 (Pair)	2	1
10		1584750	Kit, Seat Rail - ST47,5 (Pair)	2	1

Items #1-5. Adjustable Seat Cover

Size	Item #1 ST37,5	Item #2 ST40	Item #3 ST42,5	Item #4 ST45	Item #5 ST47,5
SB36	1584197	1584332	1584341	1584485	1584593
SB38	1584241	1584333	1584342	1584486	1584594
SB40	1584242	1584334	1584432	1584487	1584595
SB42	1584243	1584336	1584481	1584488	1584672
SB44	1584274	1584337	1584482	1584489	1584673
SB46	1584275	1584338	1584483	1584490	1584674
SB48	1584276	1584339	1584484	1584592	1584675

Seating - Standard Seat Cover



SCM_422A

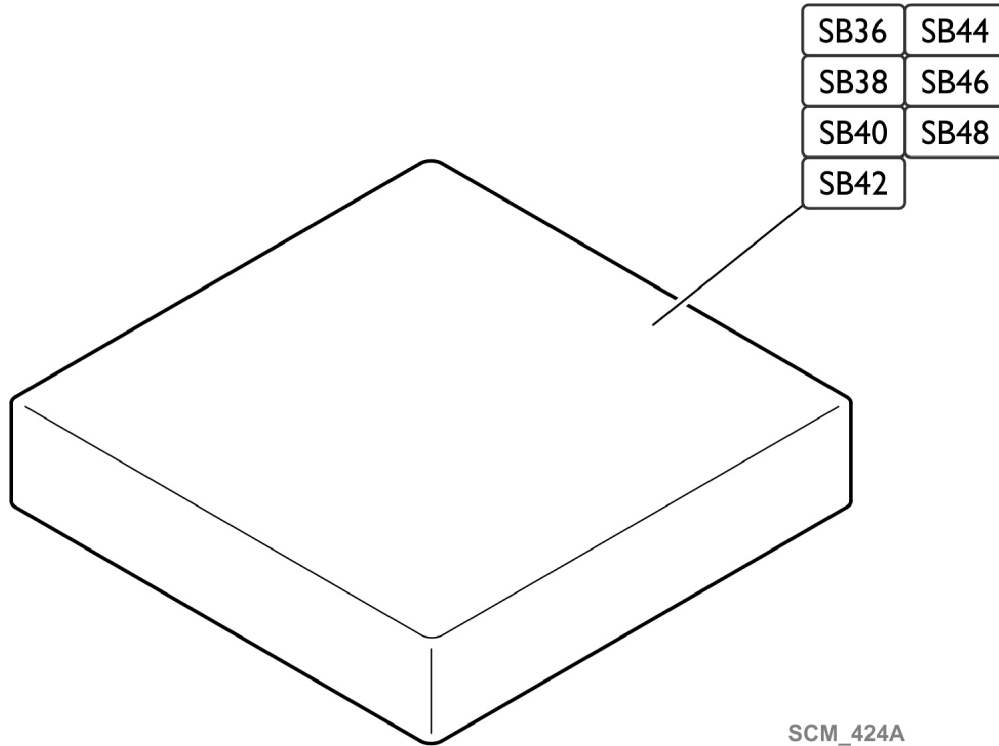
Seating - Standard Seat Cover

Item Number	Note	Part Number	Description	Quantity Per	
				Package	Assembly
1-5		See Chart	Items #1-5. Standard Seat Cover	1	1
6		1584676	Kit, Seat Rail - ST37,5 (Pair)	2	1
7		1584677	Kit, Seat Rail - ST40 (Pair)	2	1
8		1584748	Kit, Seat Rail - ST42,5 (Pair)	2	1
9		1584749	Kit, Seat Rail - ST45 (Pair)	2	1
10		1584750	Kit, Seat Rail - ST47,5 (Pair)	2	1

Items #1-5. Standard Seat Cover

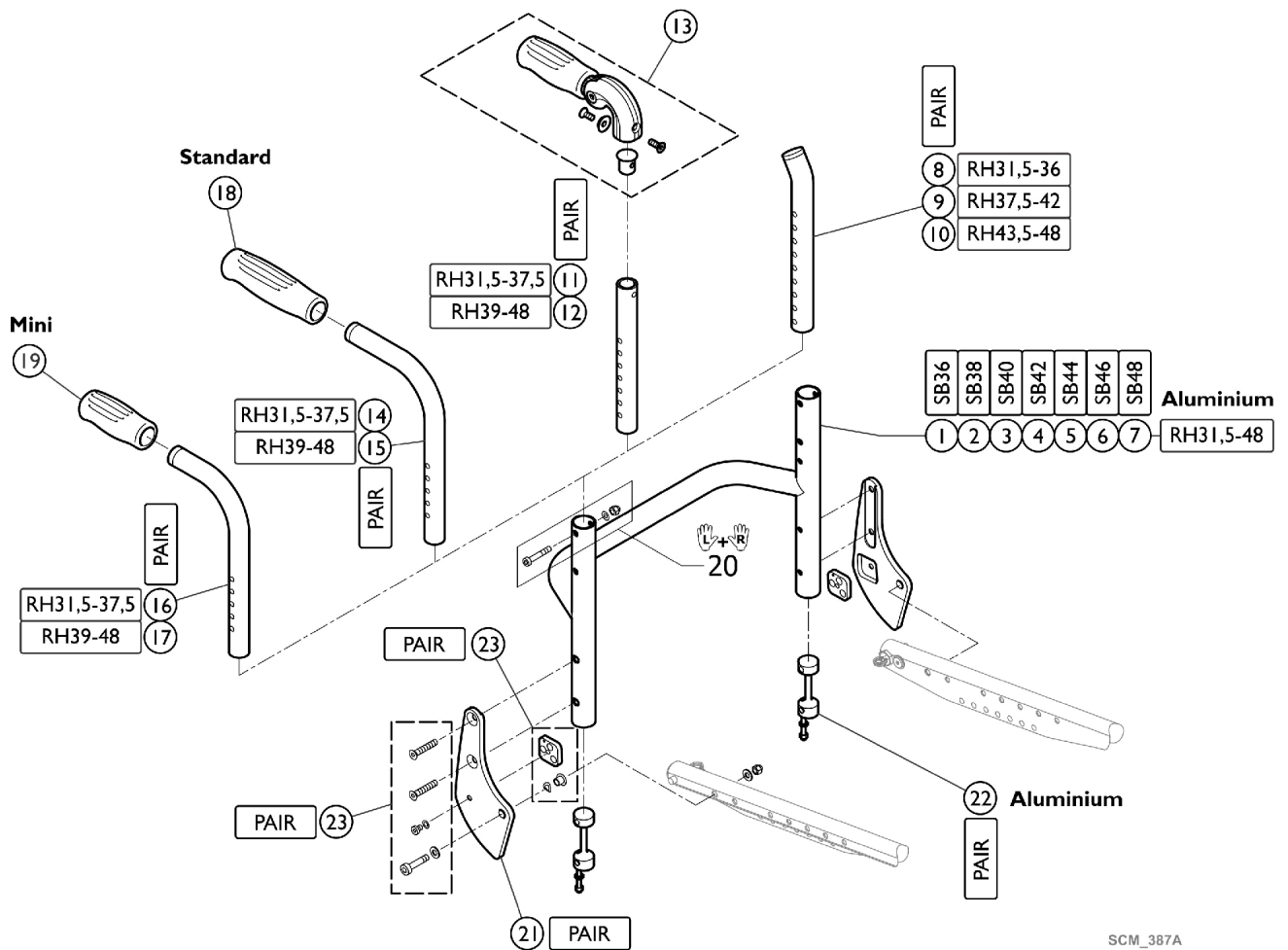
Size	Item #1 ST37,5	Item #2 ST40	Item #3 ST42,5	Item #4 ST45	Item #5 ST47,5
SB36	1584002	1584009	1584061	1584068	1584075
SB38	1584003	1584010	1584062	1584069	1584076
SB40	1584004	1584011	1584063	1584070	1584077
SB42	1584005	1584012	1584064	1584071	1584078
SB44	1584006	1584013	1584065	1584072	1584079
SB46	1584007	1584059	1584066	1584073	1584080
SB48	1584008	1584060	1584067	1584074	1584196

Seating - Standard Seat Cushion



Size	SB36	SB38	SB40	SB42	SB44	SB46	SB48
ST37,5	1556336	1556344	1556345	1556346	1556347	1556348	1556349
ST40	1556337	1556345	1556352	1556353	1556354	1556355	1556356
ST42,5	1556339	1556347	1556354	1556360	1556365	1556366	1556367
ST45	1556340	1556348	1556355	1556361	1556366	1556370	1556371
ST47,5	1556341	1556349	1556356	1556362	1556367	1556371	1556374

Backrest - Straight Bar

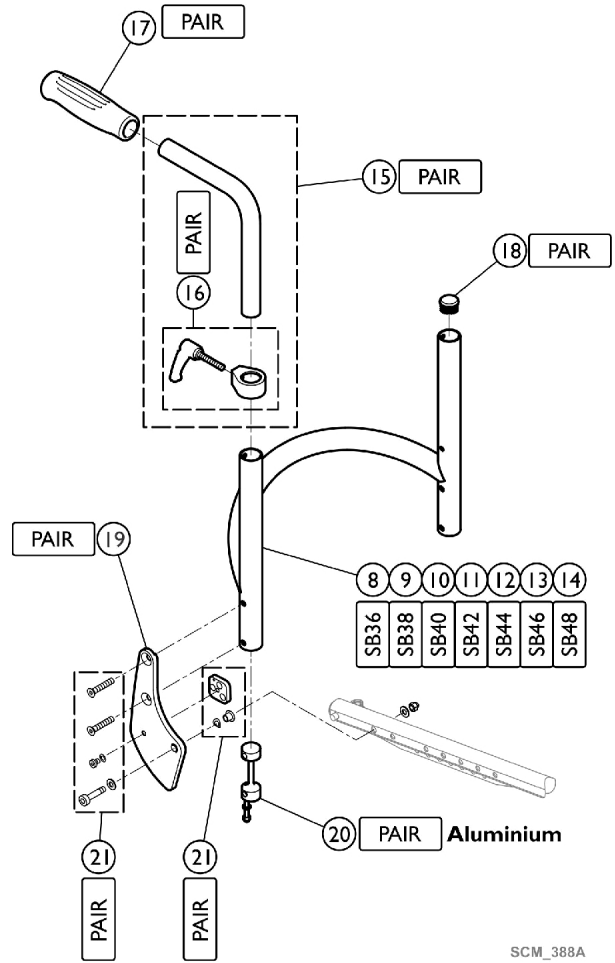
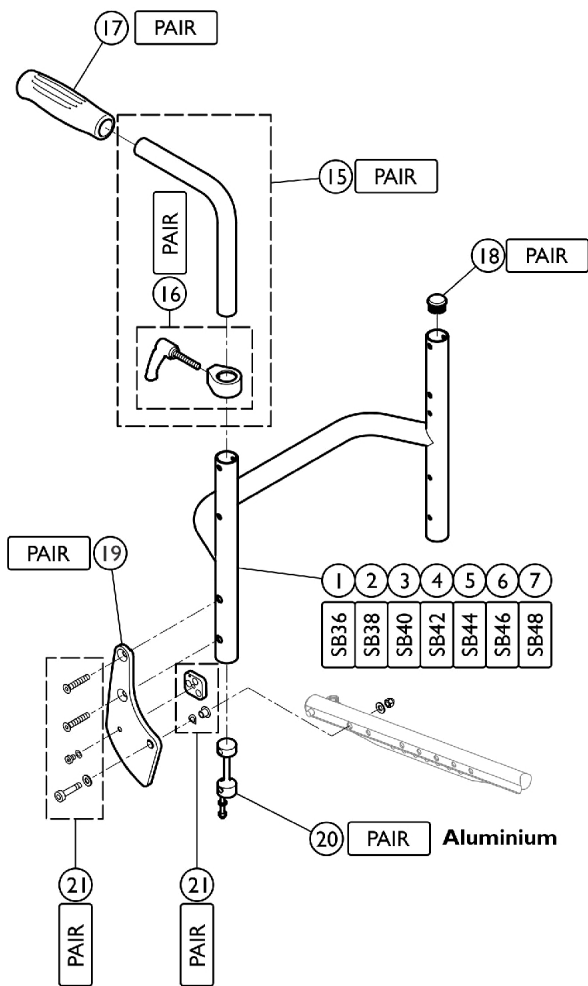


SCM_387A

Backrest - Straight Bar

Item Number	Note	Part Number	Description	Quantity Per	
				Package	Assembly
1		1582699	Straight Bar, Backrest Tube, Aluminum, SB36 Long	1	1
2		1582700	Straight Bar, Backrest Tube, Aluminum, SB38 Long	1	1
3		1582701	Straight Bar, Backrest Tube, Aluminum, SB40 Long	1	1
4		1582702	Straight Bar, Backrest Tube, Aluminum, SB42 Long	1	1
5		1582703	Straight Bar, Backrest Tube, Aluminum, SB44 Long	1	1
6		1582704	Straight Bar, Backrest Tube, Aluminum SB46 Long	1	1
7		1582732	Straight Bar, Backrest Tube, Aluminum, SB48 Long	1	1
8		1546913	Telescopic Back Tube, Standard - Short (Pair)	2	1
9		1546914	Telescopic Back Tube, Standard - Medium (Pair)	2	1
10		1546946	Telescopic Back Tube, Standard - Long (Pair)	2	1
11		1524956	Telescopic Tube Short, Foldable Push Handle (Pair)	2	1
12		1525121	Telescopic Tube Medium, Foldable Push Handle (Pair)	2	1
13		1507733	Foldable Push Handles (Pair)	2	1
14		1525122	Backrest Tube Standard, Short (Pair)	2	1
15		1525123	Backrest Tube Standard, Long (Pair)	2	1
16		1525124	Backrest Tube Mini, Short (Pair)	2	1
17		1525125	Backrest Tube Mini, Long (Pair)	2	1
18		1507734	Handle, Black (Pair)	2	1
19		1525126	Handle Black, Mini (Pair)	2	1
20		1546947	Kit, Hardware, Backrest Tube	1	1
21		1583957-0004	Backrest Joint Plate, Black Anodized (Pair)	2	1
22		1546948	Sleeves, Backrest Tube, Aluminum, Complete (Pair)	2	1
23		1583958	Kit, Hardware, Backrest Joint	1	1

Backrest - Matrix Back

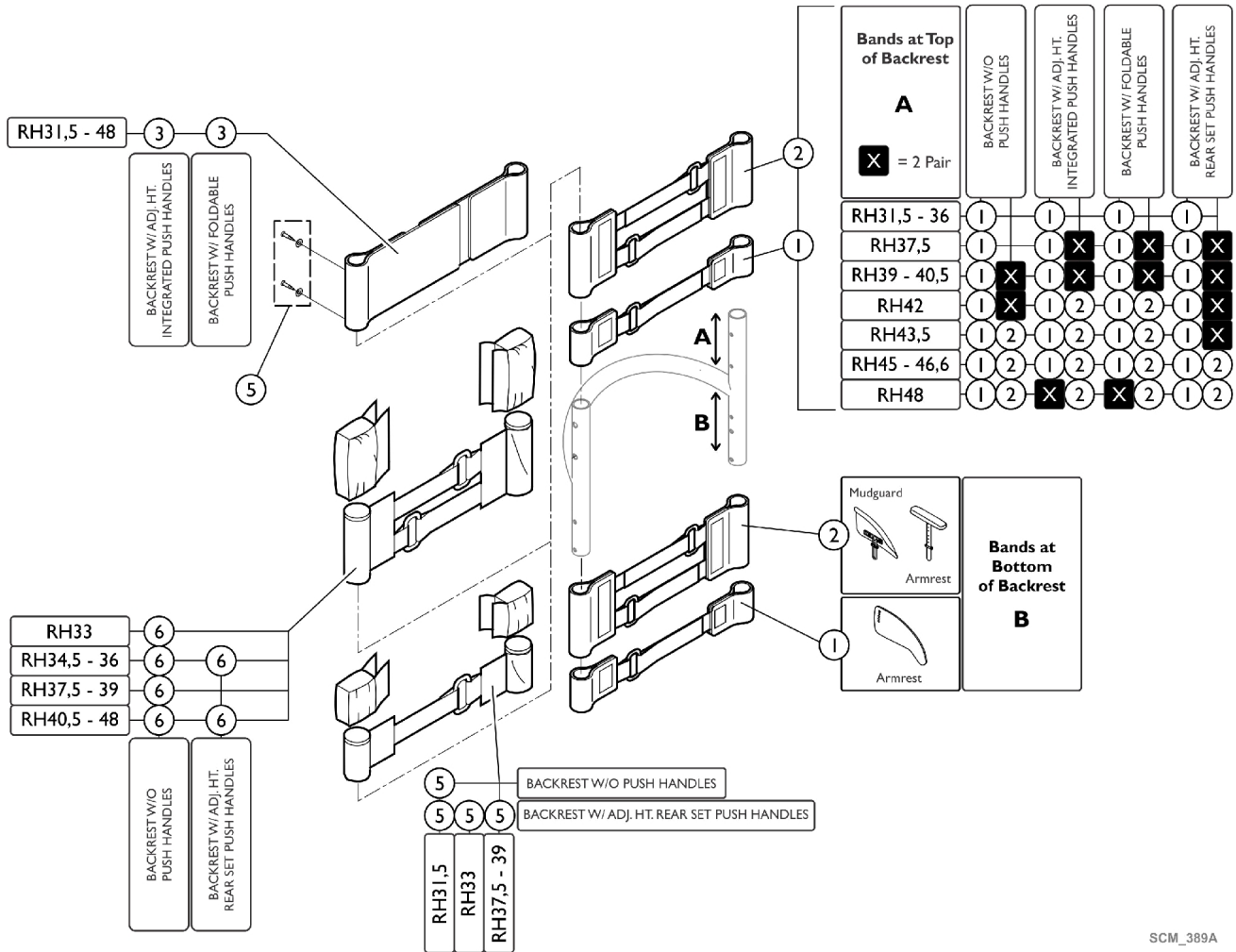


SCM_388A

Backrest - Matrix Back

Item Number	Note	Part Number	Description	Quantity Per	
				Package	Assembly
1		1582699	Straight Bar, Backrest Tube, Aluminum, SB36 Long	1	1
2		1582700	Straight Bar, Backrest Tube, Aluminum, SB38 Long	1	1
3		1582701	Straight Bar, Backrest Tube, Aluminum, SB40 Long	1	1
4		1582702	Straight Bar, Backrest Tube, Aluminum, SB42 Long	1	1
5		1582703	Straight Bar, Backrest Tube, Aluminum, SB44 Long	1	1
6		1582704	Straight Bar, Backrest Tube, Aluminum SB46 Long	1	1
7		1582732	Straight Bar, Backrest Tube, Aluminum, SB48 Long	1	1
8		1561012	Backrest, Fixed Backrest, SB36	1	1
9		1561013	Backrest, Fixed Backrest, SB38	1	1
10		1561014	Backrest, Fixed Backrest, SB40	1	1
11		1561015	Backrest, Fixed Backrest, SB42	1	1
12		1561016	Backrest, Fixed Backrest, SB44	1	1
13		1561017	Backrest, Fixed Backrest, SB46	1	1
14		1564344	Backrest SB48 for Fixed Backrest	1	1
15		1438203	Kit, Adjustable Height, Integrated Push Handles, Standard, Short	1	1
16		1549985	Adjusting Lever, Adjustable Height, Integrated Push Handles (Pair)	2	1
17		1507734	Handle, Black (Pair)	2	1
18		1561018	Tube, Plug Ø24mm (Pair)	2	1
19		1583957-0004	Backrest Joint Plate, Black Anodized (Pair)	2	1
20		1546948	Sleeves, Backrest Tube, Aluminum, Complete (Pair)	2	1
21		1583958	Kit, Hardware, Backrest Joint	1	1

Backrest - Adjustable Bands

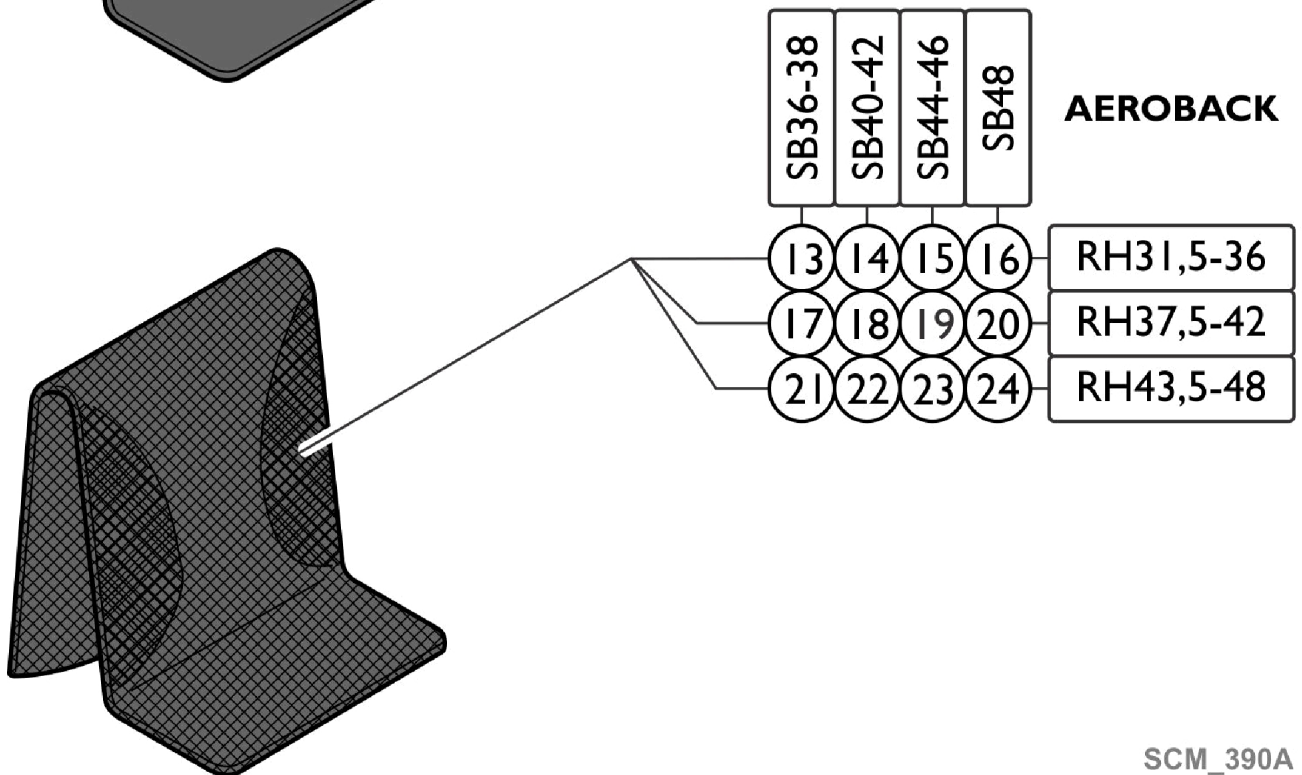
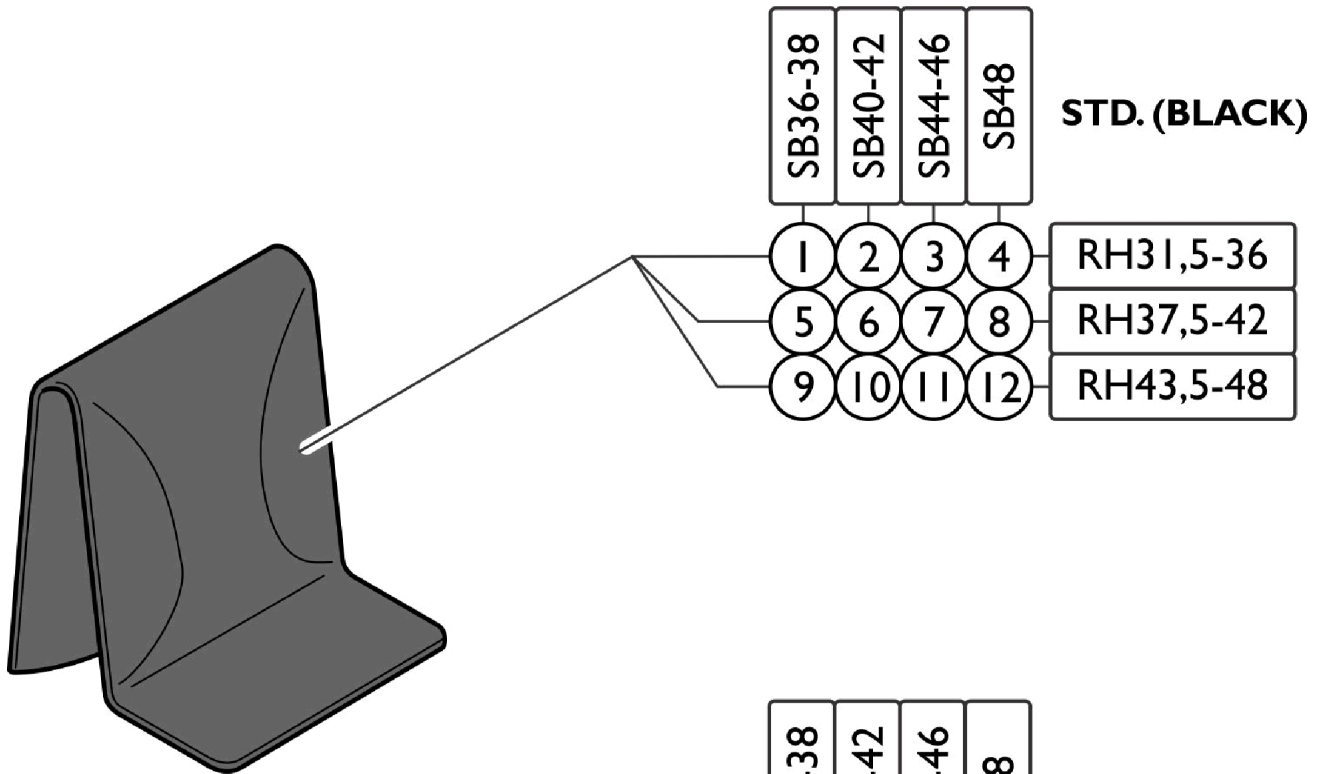


SCM_389A

Backrest - Adjustable Bands

Item Number	Note	Part Number	Description	Quantity Per	
				Package	Assembly
1		1513167	Adjustment Strap w/ One Strap (Pair)	2	1
2		1513168	Adjustment Strap w/ Two Straps (Pair)	2	1
3		1513171	Backrest Band, Two Part, Width (10cm)	1	1
4		1432083	Kit, Hardware, Backrest Band	1	1
5		1513172	Adjustable End Part (5 cm)	1	1
6		1513173	Adjustable End Part (10cm)	1	1

Backrest - Cover - Adjustable Bands



SCM_390A

Backrest - Cover - Adjustable Bands

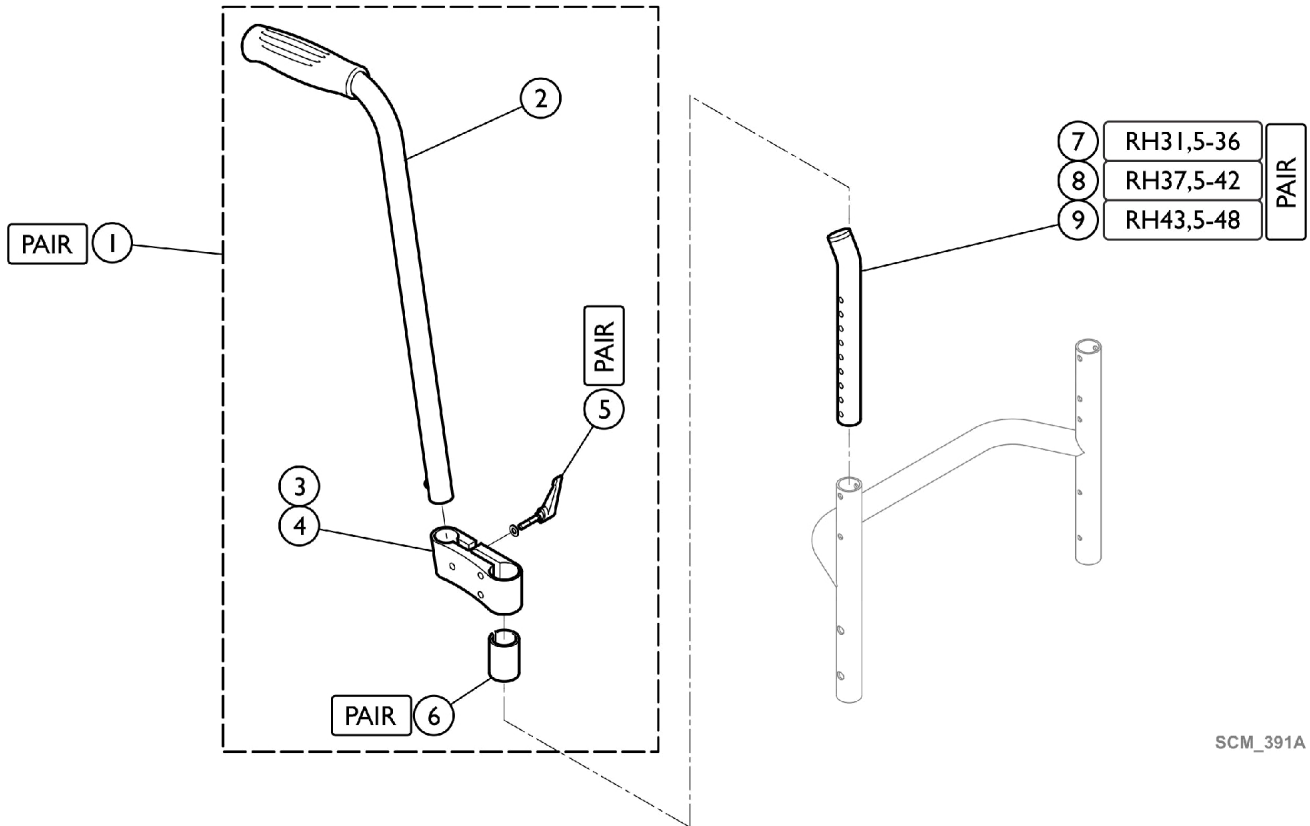
Items #1-12. Standard Band Covers

Sizes	Item #1, 5, and 9 SB36 - 38	Item #2, 6, and 10 SB40 - 42	Item #3, 7, and 12 SB44 - 46	Item #4, 8, and 12 SB48
RH31,5 - 36 Items #1-4	1583109	1583110	1583111	1583112
RH37,5 - 42 Items #5-8	1583113	1583114	1583115	1583116
RH43,5 - 48 Items #9-12	1583117	1583118	1583119	1583120

Items #13-24. Aeroback Band Covers

Sizes	Item #13, 17, and 21 SB36 - 38	Item #14, 18, and 22 SB40 - 42	Item #15, 19, and 23 SB44 - 46	Item #16, 20, and 24 SB48
RH31,5 - 36 Items #13-16	1512157	1512158	1512159	1512160
RH37,5 - 42 Items #17-20	1512162	1512163	1512164	1512165
RH43,5 - 48 Items #21-24	1512167	1512168	1512169	1512170

Backrest - Push Handles - Adjustable Height - Rear Set



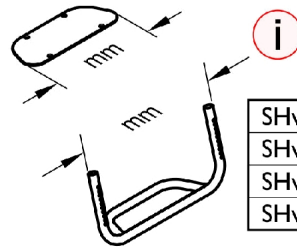
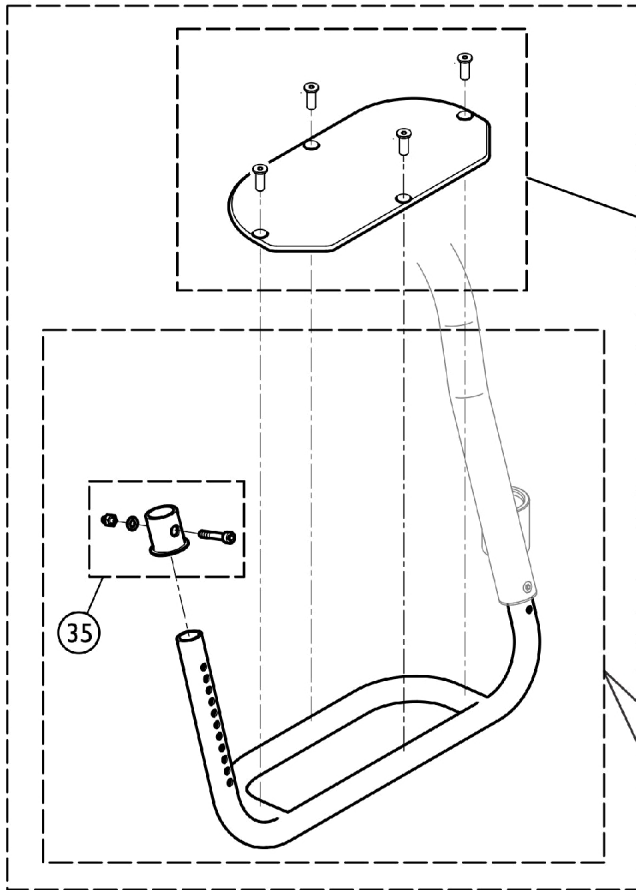
SCM_391A

Backrest - Push Handles - Adjustable Height - Rear Set

Item Number	Note	Part Number	Description	Quantity Per	
				Package	Assembly
1		1517876	Push Handles, Adjustable Height, Rear Set (Pair)	2	1
2		1438938	Push Handle Tube Complete, Rearset	1	1
3		1438939	Mounting Hardware - Right Complete, Rearset Push Handles	1	1
4		1438940	Mounting Hardware - Left Complete, Rearset Push Handles	1	1
5		1546913	Telescopic Back Tube, Standard - Short (Pair)	2	1
6		1546914	Telescopic Back Tube, Standard - Medium (Pair)	2	1
7		1546946	Telescopic Back Tube, Standard - Long (Pair)	2	1
8		1529799	Adjusting Lever (Pair)	2	1
9		1581293	Sleeves, Mounting Hardware, Rearset Push Handles (Pair)	2	1

Footrest - Adducted Frame

FOOTREST ADDUCTED FRAME



		75°	90°
SHv48	UL40-45	UL38-44	
SHv49	UL41-46	UL39-45	
SHv50	UL42-47	UL41-46	
SHv51	UL43-48	UL42-47	

SB36	SB38	SB40	SB42	SB44	SB46	SB48
29	30	31	32	33	34	34

SB36	SB38	SB40	SB42	SB44	SB46	SB48	
75°	1	2	3	4	5	6	7
90°	8	9	10	11	12	13	14

SB36	SB38	SB40	SB42	SB44	SB46	SB48	
75°	15	16	17	18	19	20	21
90°	22	23	24	25	26	27	28
SB36	SB38	SB40	SB42	SB44	SB46	SB48	

SCM_392A

Footrest - Adducted Frame

Item Number	Note	Part Number	Description	Quantity Per	
				Package	Assembly
1-14		See Chart	Items #1-14. Complete Assembly (75 and 90 Degree)	1	1
15-28		See Chart	Items #15-28. Footrest (75 and 90 Degree)	1	1
29		1583596	Footplate (194mm)	1	1
30		1583597	Footplate (214mm)	1	1
31		1583598	Footplate (234mm)	1	1
32		1583599	Footplate (254mm)	1	1
33		1583600	Footplate (274mm)	1	1
34		1583601	Footplate (294mm)	1	1
35		1583602	Footrest Sleeve, Aluminum	1	1

Items #1-14. Complete Assembly (75 and 90 Degree)

Sizes (75 Degree)	75 Degree Part Number	Sizes (90 Degree)	90 Degree Part Number
SB36 Items #1	1583520	SB36 Items #8	1583527
SB38 Items #2	1583521	SB38 Items #9	1583528
SB40 Items #3	1583522	SB40 Items #10	1583529
SB42 Items #4	1583523	SB42 Items #11	1583530
SB44 Items #5	1583524	SB44 Items #12	1583531
SB46 Items #6	1583525	SB46 Items #13	1583532
SB48 Items #7	1583526	SB48 Items #14	1583533

Items #15-28. Footrest (75 and 90 Degree)

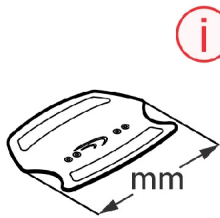
Sizes (75 Degree)	75 Degree Part Number	Sizes (90 Degree)	90 Degree Part Number
SB36 Items #15	1583506	SB36 Items #22	1583513
SB38 Items #16	1583507	SB38 Items #23	1583514
SB40 Items #17	1583508	SB40 Items #24	1583515

Footrest - Adducted Frame

Items #15-28. Footrest (75 and 90 Degree)

Sizes (75 Degree)	75 Degree Part Number	Sizes (90 Degree)	90 Degree Part Number
SB42 Items #18	1583509	SB42 Items #25	1583516
SB44 Items #19	1583510	SB44 Items #26	1583517
SB46 Items #20	1583511	SB46 Items #27	1583518
SB48 Items #21	1583512	SB48 Items #28	1583519

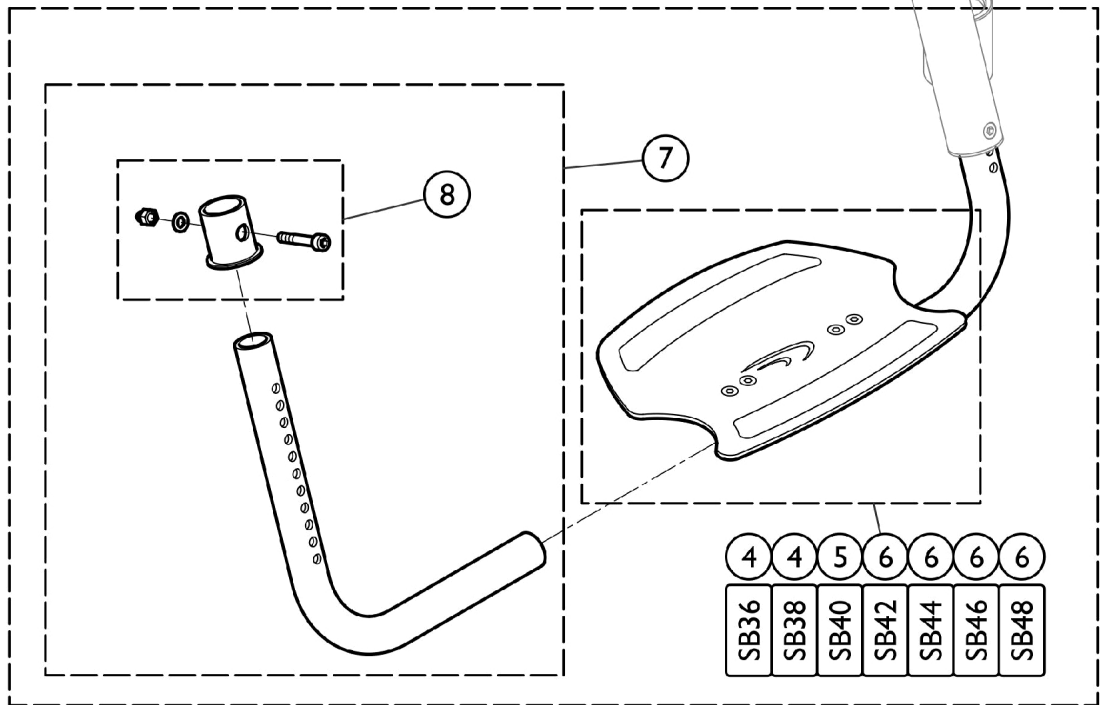
Footrest - Adjustable Angle - Adducted Frame



	75°	90°
SHv48	UL40-45	UL38-44
SHv49	UL41-46	UL39-45
SHv50	UL42-47	UL41-46
SHv51	UL43-48	UL42-47

FOOTREST ADJUSTABLE ANGLE ADDUCTED FRAME

SB36	SB38	SB40	SB42	SB44	SB46	SB48
1	1	2	3	3	3	3



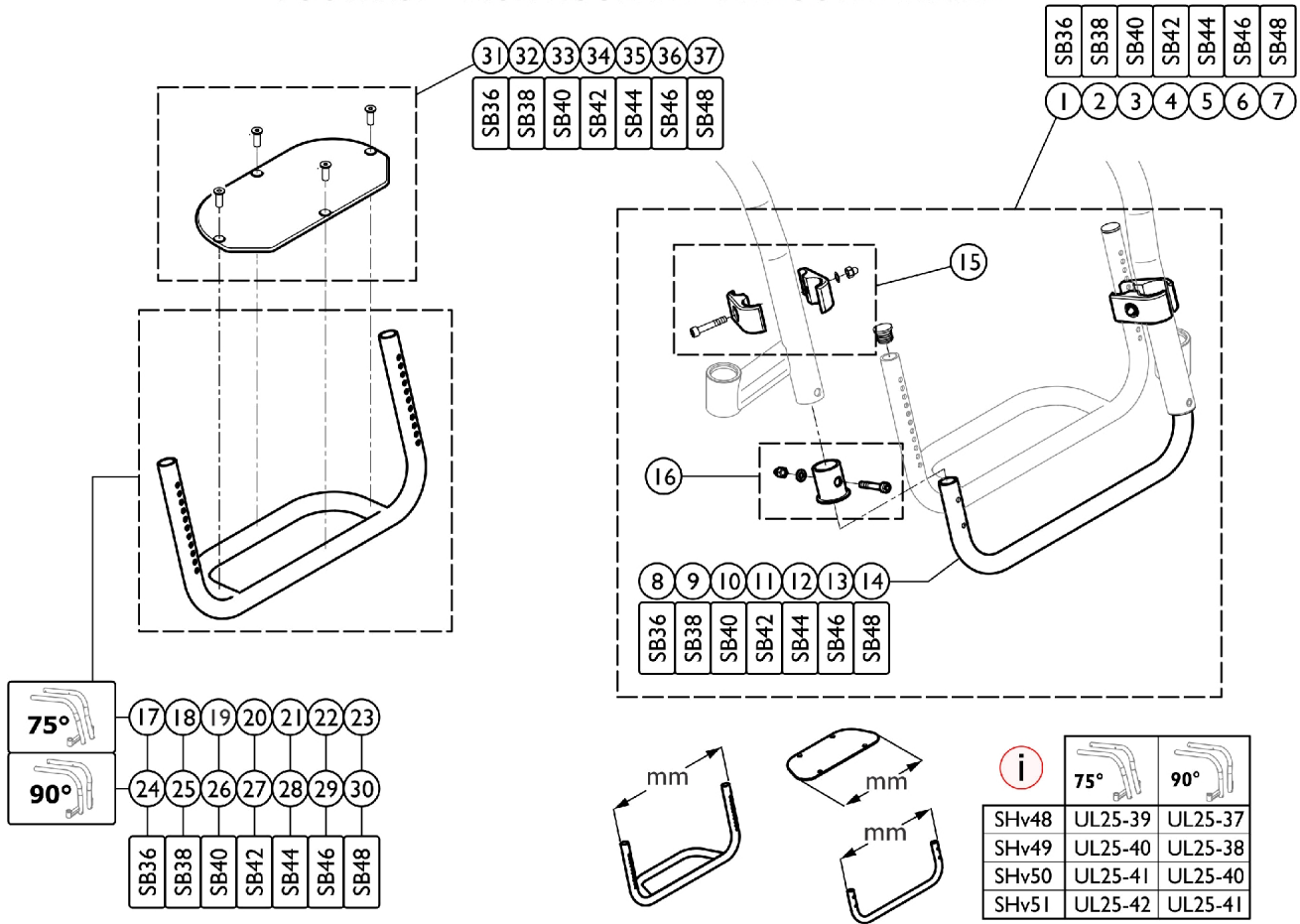
SCM_393A

Footrest - Adjustable Angle - Adducted Frame

Item Number	Note	Part Number	Description	Quantity Per	
				Package	Assembly
1		1583608	Footrest Angle Adjustable 250mm, Complete	1	1
2		1583609	Footrest Angle Adjustable 280mm, Complete	1	1
3		1583610	Footrest Angle Adjustable 308mm, Complete	1	1
4		1583613	Footplate, 250mm w/ Clamping Part	1	1
5		1583614	Footplate, 280mm w/ Clamping Part	1	1
6		1583615	Footplate, 308mm w/ Clamping Part	1	1
7		1583616	Kit, Telescopic Footrest, Adjustable Angle (Pair)	2	1
8		1583602	Footrest Sleeve, Aluminum	1	1

Footrest - High Mounted - Adducted Frame

FOOTREST - HIGH MOUNTED - ADDUCTED FRAME



SCM_394A

Footrest - High Mounted - Adducted Frame

Item Number	Note	Part Number	Description	Quantity Per	
				Package	Assembly
1		1583641	Tube Set, Footrest, High Position, Adducted Frame (310mm)	1	1
2		1583642	Tube Set, Footrest, High Position, Adducted Frame (330mm)	1	1
3		1583643	Tube Set, Footrest, High Position, Adducted Frame (350mm)	1	1
4		1583644	Tube Set, Footrest, High Position, Adducted Frame (370mm)	1	1
5		1583646	Tube Set, Footrest, High Position, Adducted Frame (390mm)	1	1
6		1583647	Tube Set, Footrest, High Position, Adducted Frame (410mm)	1	1
7		1583648	Tube Set, Footrest, High Position, Adducted Frame (430mm)	1	1
8		1583650	Tube, Footrest, High Position, Adducted Frame (310mm)	1	1
9		1583651	Tube, Footrest, High Position, Adducted Frame (330mm)	1	1
10		1583652	Tube, Footrest, High Position, Adducted Frame (350mm)	1	1
11		1583653	Tube, Footrest, High Position, Adducted Frame (370mm)	1	1
12		1583654	Tube, Footrest, High Position, Adducted Frame (390mm)	1	1
13		1583655	Tube, Footrest, High Position, Adducted Frame (410mm)	1	1
14		1583656	Tube, Footrest, High Position, Adducted Frame (430mm)	1	1
15		1495577	Kit, Clamping Pieces, Footrest, High Position	1	1
16		1583602	Footrest Sleeve, Aluminum	1	1
17-30		See Chart	Items #17-30. Footrest Tube	1	1
31		1583595	Footplate (174mm)	1	1
32		1583596	Footplate (194mm)	1	1
33		1583597	Footplate (214mm)	1	1
34		1583598	Footplate (234mm)	1	1
35		1583599	Footplate (254mm)	1	1
36		1583600	Footplate (274mm)	1	1
37		1583601	Footplate (294mm)	1	1

Items #17-30. Footrest Tube

Sizes	75 Degree Part Number	Sizes	90 Degree Part Number
SB36 Item #17	1583657	SB36 Item #24	1583703

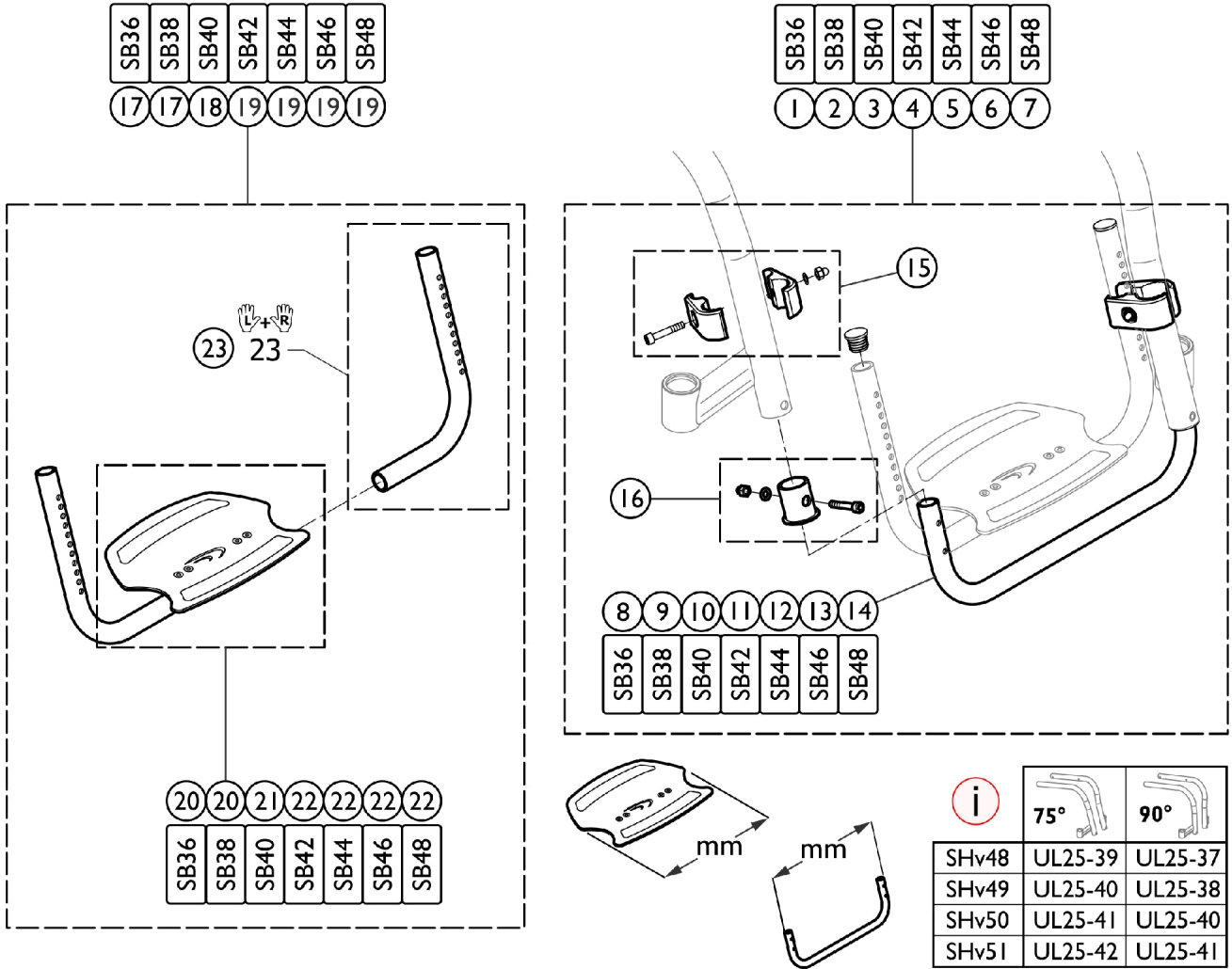
Footrest - High Mounted - Adducted Frame

Items #17-30. Footrest Tube

Sizes	75 Degree Part Number	Sizes	90 Degree Part Number
SB38 Item #18	1583658	SB38 Item #25	1583750
SB40 Item #19	1583659	SB40 Item #26	1583942
SB42 Item #20	1583660	SB42 Item #27	1583943
SB44 Item #21	1583661	SB44 Item #28	1583944
SB46 Item #22	1583701	SB46 Item #29	1583945
SB48 Item #23	1583702	SB48 Item #30	1583946

Footrest - Adjustable Angle - High Mounted - Adducted Frame

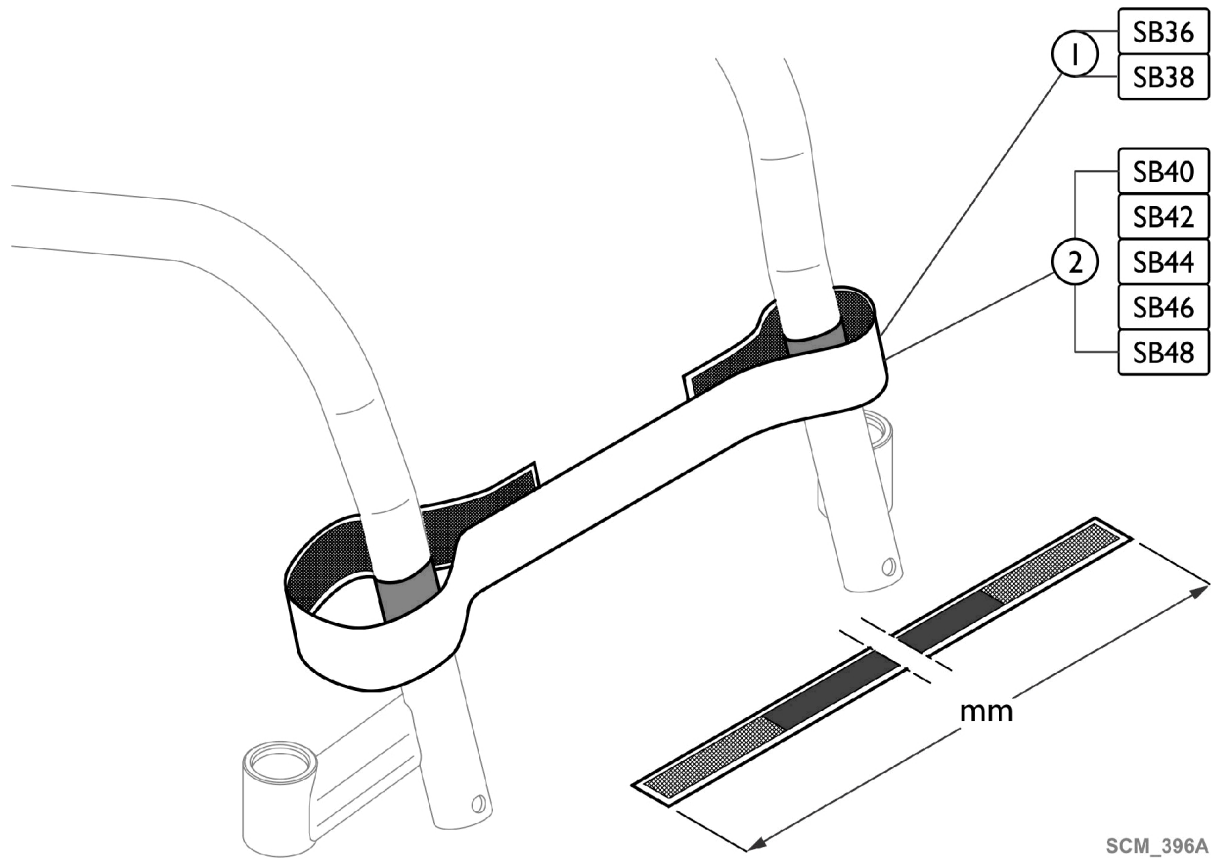
FOOTREST - ADJUSTABLE ANGLE HIGH MOUNTED - ADDUCTED FRAME



Footrest - Adjustable Angle - High Mounted - Adducted Frame

Item Number	Note	Part Number	Description	Quantity Per	
				Package	Assembly
1		1583641	Tube Set, Footrest, High Position, Adducted Frame (310mm)	1	1
2		1583642	Tube Set, Footrest, High Position, Adducted Frame (330mm)	1	1
3		1583643	Tube Set, Footrest, High Position, Adducted Frame (350mm)	1	1
4		1583644	Tube Set, Footrest, High Position, Adducted Frame (370mm)	1	1
5		1583646	Tube Set, Footrest, High Position, Adducted Frame (390mm)	1	1
6		1583647	Tube Set, Footrest, High Position, Adducted Frame (410mm)	1	1
7		1583648	Tube Set, Footrest, High Position, Adducted Frame (430mm)	1	1
8		1583650	Tube, Footrest, High Position, Adducted Frame (310mm)	1	1
9		1583651	Tube, Footrest, High Position, Adducted Frame (330mm)	1	1
10		1583652	Tube, Footrest, High Position, Adducted Frame (350mm)	1	1
11		1583653	Tube, Footrest, High Position, Adducted Frame (370mm)	1	1
12		1583654	Tube, Footrest, High Position, Adducted Frame (390mm)	1	1
13		1583655	Tube, Footrest, High Position, Adducted Frame (410mm)	1	1
14		1583656	Tube, Footrest, High Position, Adducted Frame (430mm)	1	1
15		1495577	Kit, Clamping Pieces, Footrest, High Position	1	1
16		1583602	Footrest Sleeve, Aluminum	1	1
17		1583950	Footrest, Angle Adjustable, 250mm, High Position, Complete	1	1
18		1583951	Footrest, Angle Adjustable, 280mm, High Position, Complete	1	1
19		1583952	Footrest, Angle Adjustable, 308mm, High Position, Complete	1	1
20		1583613	Footplate, 250mm w/ Clamping Part	1	1
21		1583614	Footplate, 280mm w/ Clamping Part	1	1
22		1583615	Footplate, 308mm w/ Clamping Part	1	1
23		1583947	Telescope, Footrest Angle Adjustable Mounted, High Position (Pair)	2	1

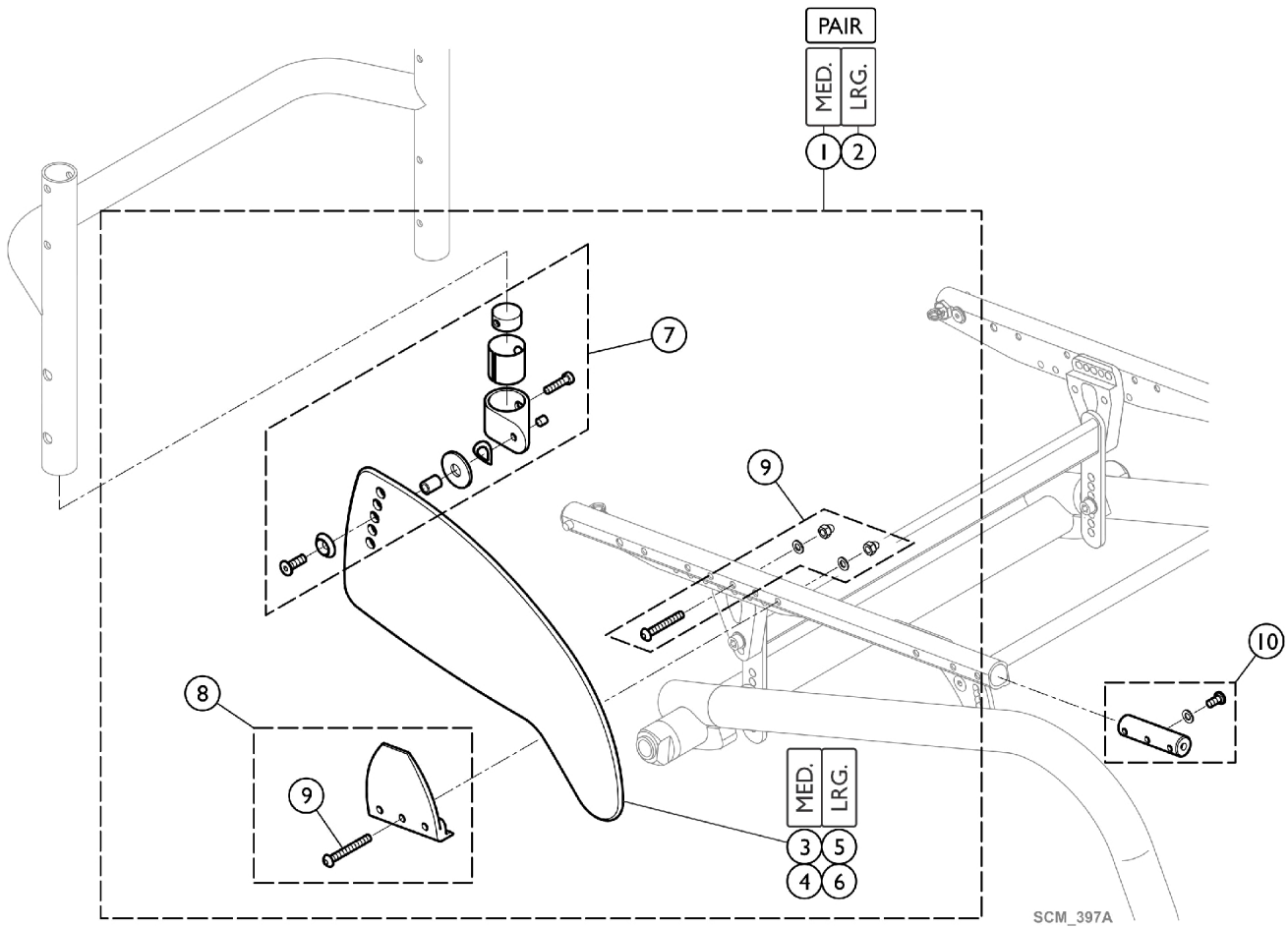
Footrest - Calf Strap



SCM_396A

Item Number	Note	Part Number	Description	Quantity Per	
				Package	Assembly
1		1561528	Calf Strap, Complete (780mm)	1	1
2		1561529	Calf Strap, Complete (940mm)	1	1

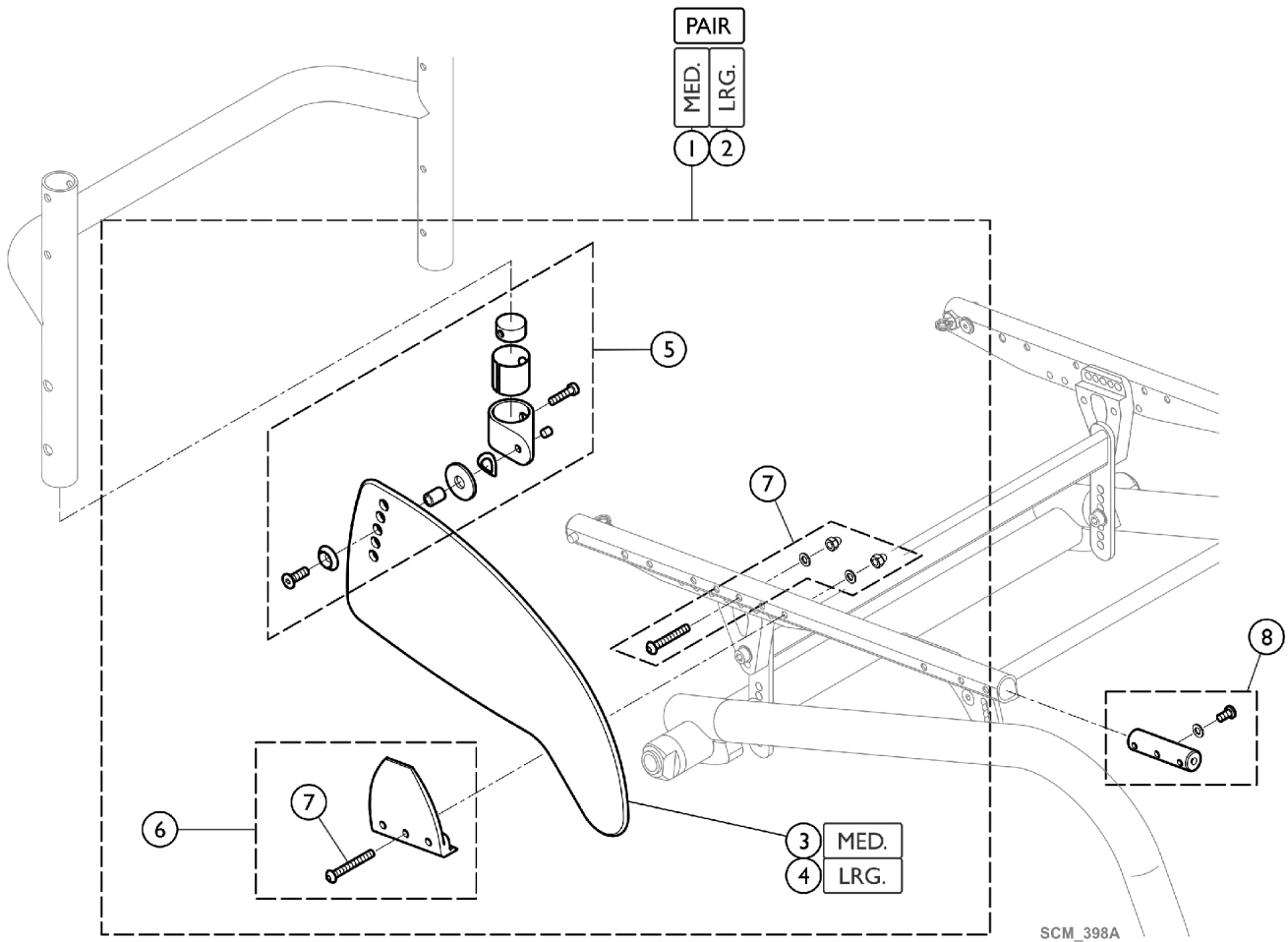
Siderests - Clothes Guard - Composite



Siderests - Clothes Guard - Composite

Item Number	Note	Part Number	Description	Quantity Per	
				Package	Assembly
1		1584839	Kit, Clothes Guard, Economy, Medium w/ Hardware (Pair)	2	1
2		1584841	Kit, Clothes Guard, Economy, Large w/ Hardware (Pair)	2	1
3		1547467	Clothes Guard, Economy, Medium - Left	1	1
4		1547469	Clothes Guard, Economy, Medium - Right	1	1
5		1547468	Clothes Guard, Economy L - Left	1	1
6		1547470	Clothes Guard, Economy L - Right	1	1
7		1584842	Kit, Hardware, Clothes Guard, Economy, Backrest	1	1
8		1584837	Kit, Hardware, Clothes Guard, Frame (Pair)	2	1
9		1584838	Kit, Hardware, Clothes Guards, Frame	1	1
10		1584863	Thread Insert, Side Guards (Pair)	2	1

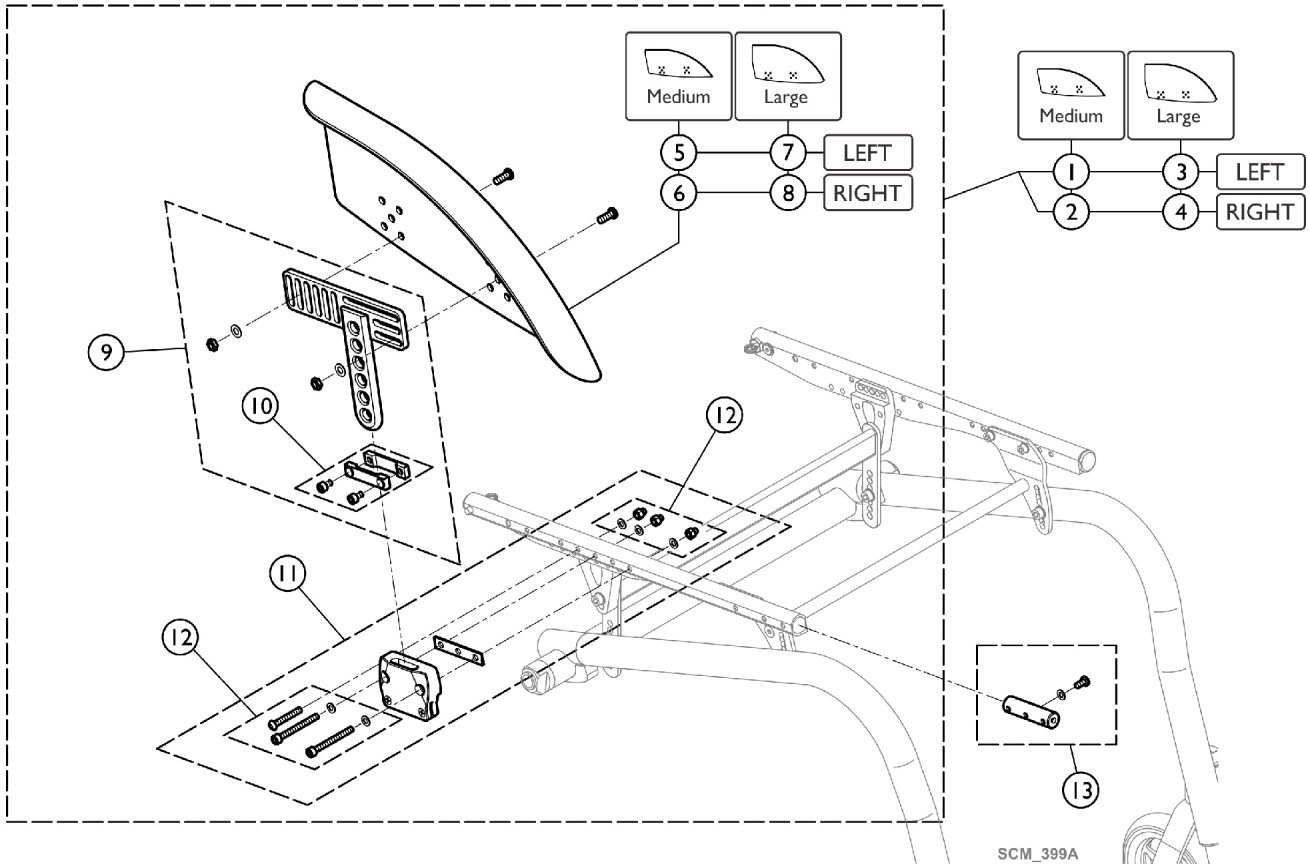
Siderests - Clothes Guard - Carbon



Siderests - Clothes Guard - Carbon

Item Number	Note	Part Number	Description	Quantity Per	
				Package	Assembly
1		1584833	Kit, Clothes Guard, Carbon, Medium w/ Hardware (Pair)	2	1
2		1584834	Kit, Clothes Guard, Carbon, Large w/ Hardware (Pair)	2	1
3		1547461	Clothes Guard, Carbon, Medium	1	1
4		1547462	Clothes Guard, Carbon, Large	1	1
5		1584836	Kit, Hardware, Clothes Guard, Carbon, Backrest	1	1
6		1584837	Kit, Hardware, Clothes Guard, Frame (Pair)	2	1
7		1584838	Kit, Hardware, Clothes Guards, Frame	1	1
8		1584863	Thread Insert, Side Guards (Pair)	2	1

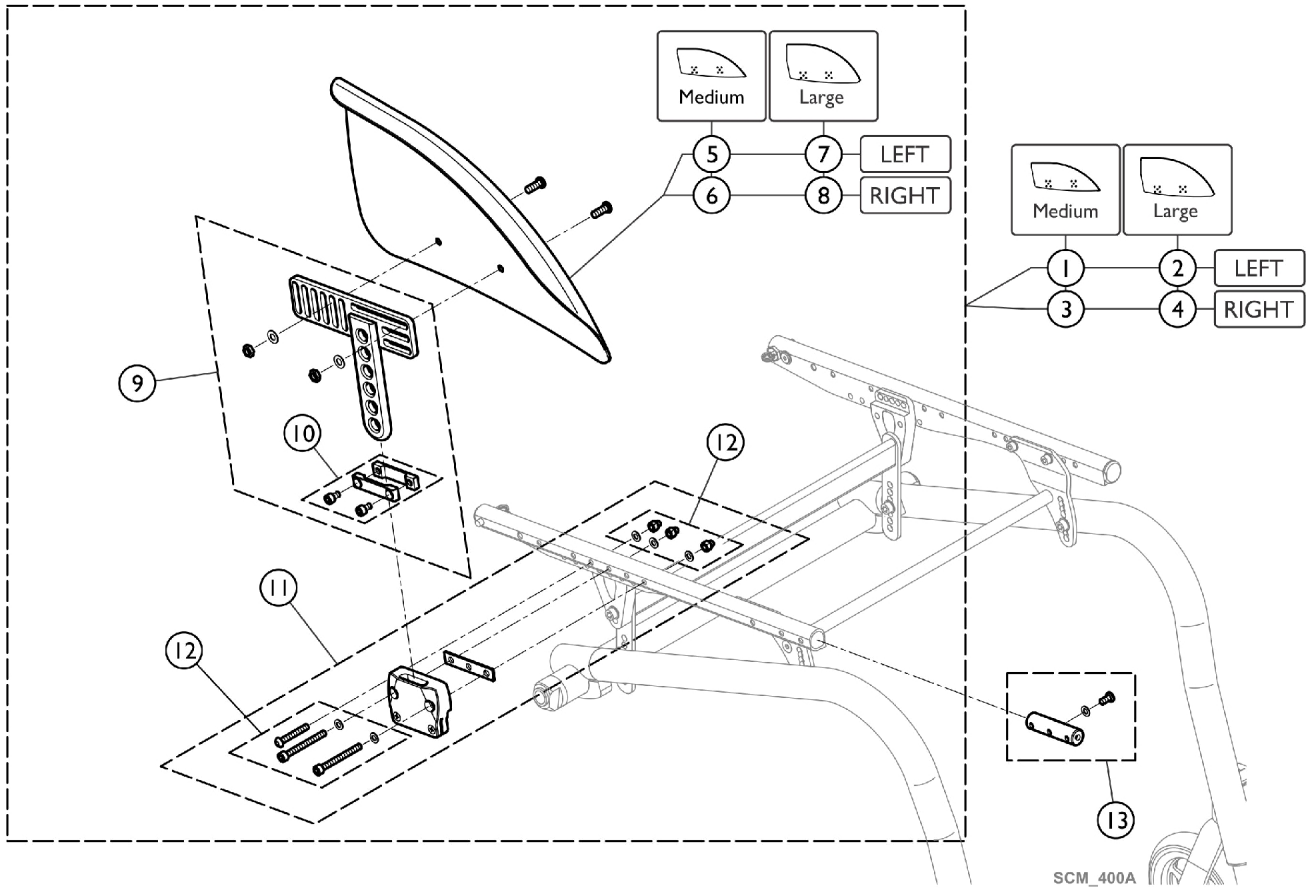
Siderests - Mudguards - Composite



Siderests - Mudguards - Composite

Item Number	Note	Part Number	Description	Quantity Per	
				Package	Assembly
1		1584850	Mudguard, Economy, Medium, Short, Complete - Left	1	1
2		1584852	Mudguard, Economy, Medium, Short, Complete - Right	1	1
3		1584851	Mudguard, Economy, Large, Short, Complete - Left	1	1
4		1584853	Mudguard, Economy, Large, Short, Complete - Right	1	1
5		1547556	Mudguard, Economy, Medium - Left	1	1
6		1547579	Mudguard, Economy, Medium - Right	1	1
7		1547578	Mudguard, Economy, Large - Left	1	1
8		1547580	Mudguard, Economy, Large - Right	1	1
9		1547554	Mudguard, Economy, Holder, Short (Pair)	2	1
10		1547537	Kit, Siderest, Height Clamp (Pair)	2	1
11		1584843	Kit, Holder, Mudguard, Seat Module (Pair)	2	1
12		1584844	Kit, Hardware, Holder, Mudguard, Seat Module (Pair)	2	1
13		1584863	Thread Insert, Side Guards (Pair)	2	1

Siderests - Mudguards - Carbon

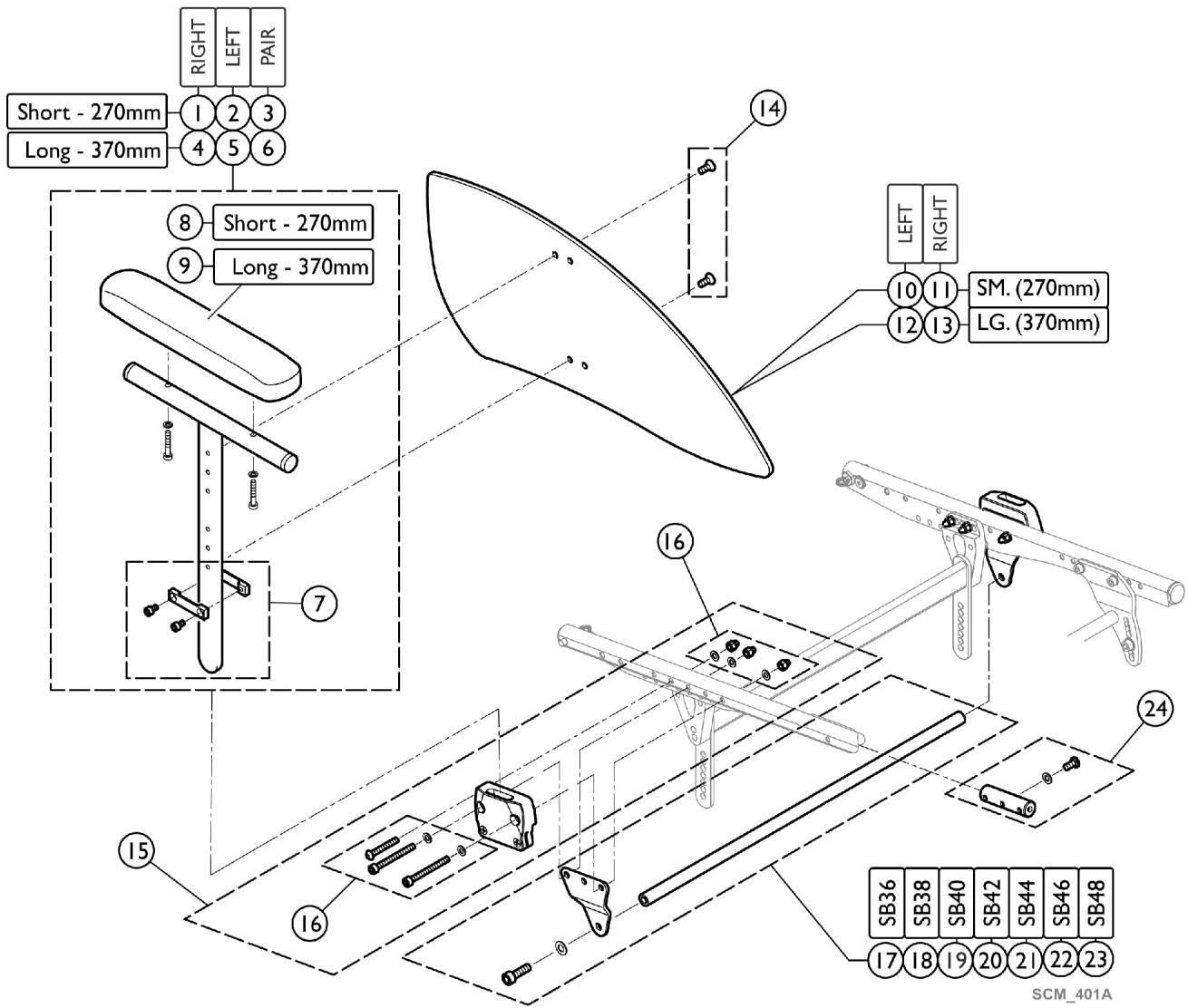


SCM_400A

Siderests - Mudguards - Carbon

Item Number	Note	Part Number	Description	Quantity Per	
				Package	Assembly
1		1584846	Mudguard, Carbon, Medium, Short, Complete - Left	1	1
2		1584848	Mudguard, Carbon, Medium, Short, Complete - Right	1	1
3		1584847	MudGuard, Carbon, Large, Short, Complete - Left	1	1
4		1584849	Mudguard, Carbon, Large, Short, Complete - Right	1	1
5		1547533	Mudguard, Carbon, Medium - Left	1	1
6		1547535	Mudguard, Carbon, Medium - Right	1	1
7		1547534	Mudguard, Carbon, Large - Left	1	1
8		1547536	Mudguard, Carbon, Large - Right	1	1
9		1547488	Mudguard, Carbon, Holder, Short (Pair)	2	1
10		1547537	Kit, Siderest, Height Clamp (Pair)	2	1
11		1584843	Kit, Holder, Mudguard, Seat Module (Pair)	2	1
12		1584844	Kit, Hardware, Holder, Mudguard, Seat Module (Pair)	2	1
13		1584863	Thread Insert, Side Guards (Pair)	2	1

Siderests - Armrest - Adjustable Height

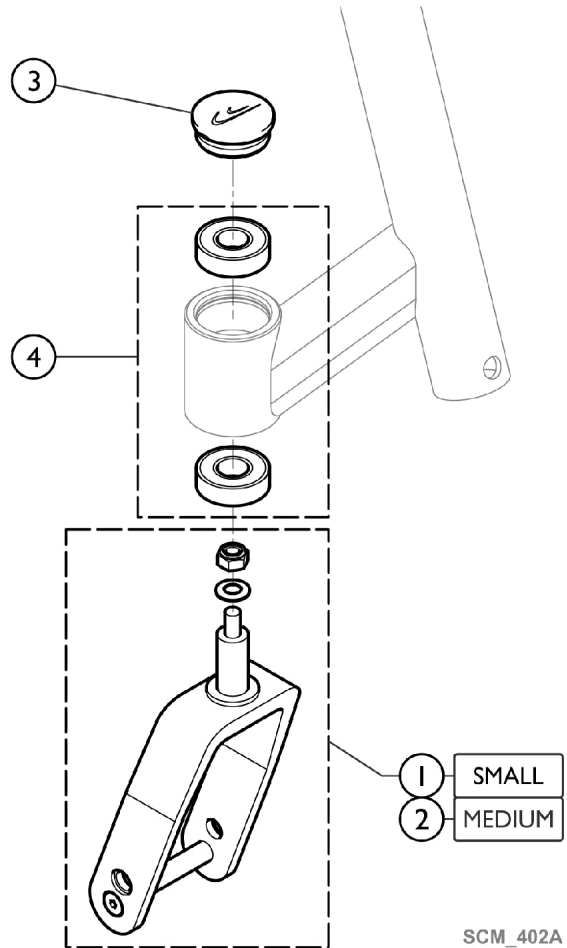
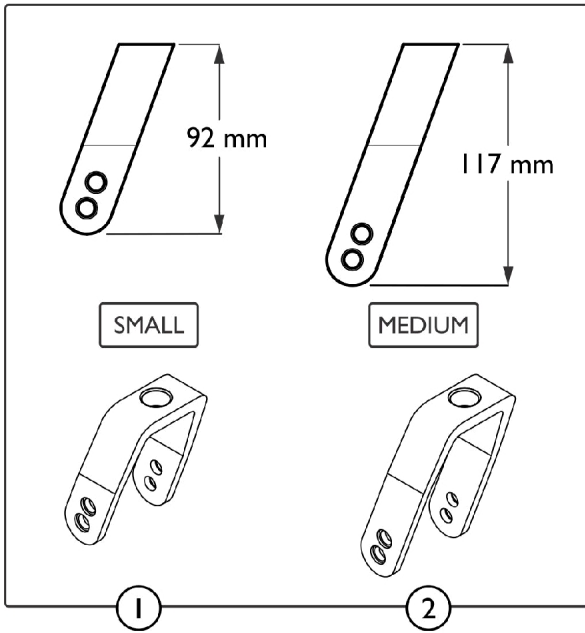


SCM_401A

Siderests - Armrest - Adjustable Height

Item Number	Note	Part Number	Description	Quantity Per	
				Package	Assembly
1		1517677	Siderest, Adjustable Height, Short - Right	1	1
2		1517678	Siderest, Adjustable Height, Short - Left	1	1
3		1517682	Siderest, Adjustable Height, Short (Pair)	2	1
4		1517679	Siderest, Adjustable Height, Long - Right	1	1
5		1517680	Siderest, Adjustable Height, Long - Left	1	1
6		1517683	Siderest, Adjustable Height, Long (Pair)	2	1
7		1547537	Kit, Siderest, Height Clamp (Pair)	2	1
8		1439497	Arm Pad w/ Screws, Short (270mm) (Pair)	2	1
9		1439498	Arm Pad w/ Screws, Long (370mm) (Pair)	2	1
10		1517689	Guard, Clothing, Small, Siderest - Left	1	1
11		1517690	Guard, Clothing, Small, Siderest - Right	1	1
12		1517691	Guard, Clothing, Large, Siderest - Left	1	1
13		1517692	Guard, Clothing, Large, Siderest - Right	1	1
14		1517693	Kit, Hardware, Guard, Clothing,	1	1
15		1584871	Kit, Siderest Holder, Adjustable Height, Seat Module (Pair)	2	1
16		1584872	Kit, Hardware Siderest Holder, Adjustable, Seat Module (Pair)	2	1
17		1584864	Kit, Bracket, Siderest (336,5mm)	1	1
18		1584865	Kit, Bracket, Siderest (356,5mm)	1	1
19		1584866	Kit, Bracket, Siderest (376,5mm)	1	1
20		1584867	Kit, Bracket, Siderest (396,5mm)	1	1
21		1584868	Kit, Bracket, Siderest (416,5mm)	1	1
22		1584869	Kit, Bracket, Siderest (436,5mm)	1	1
23		1584870	Kit, Bracket, Siderest (456,5mm)	1	1
24		1584863	Thread Insert, Side Guards (Pair)	2	1

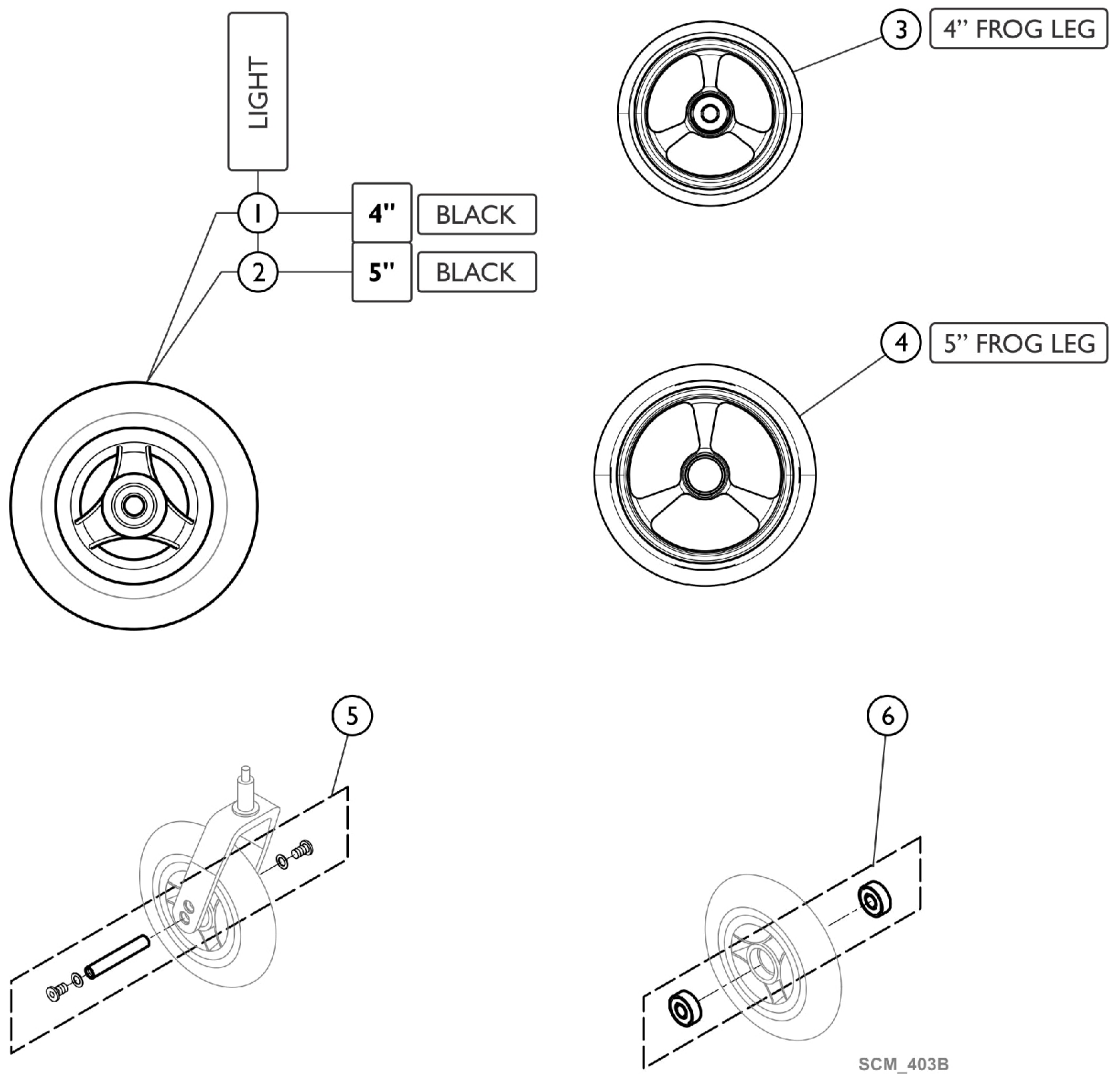
Front Wheels - Standard Forks



Front Wheels - Standard Forks

Item Number	Note	Part Number	Description	Quantity Per	
				Package	Assembly
1		1584876-0004	Front Fork, Small w/ Bolt, Black Anodized	1	2
2		1584877-0004	Front Fork, Medium w/ Bolt, Black Anodized	1	2
3		1487961-0004	Bearing Block Cap, Black Anodized (Pair)	2	1
4		1451718	Kit, Bearing	1	2

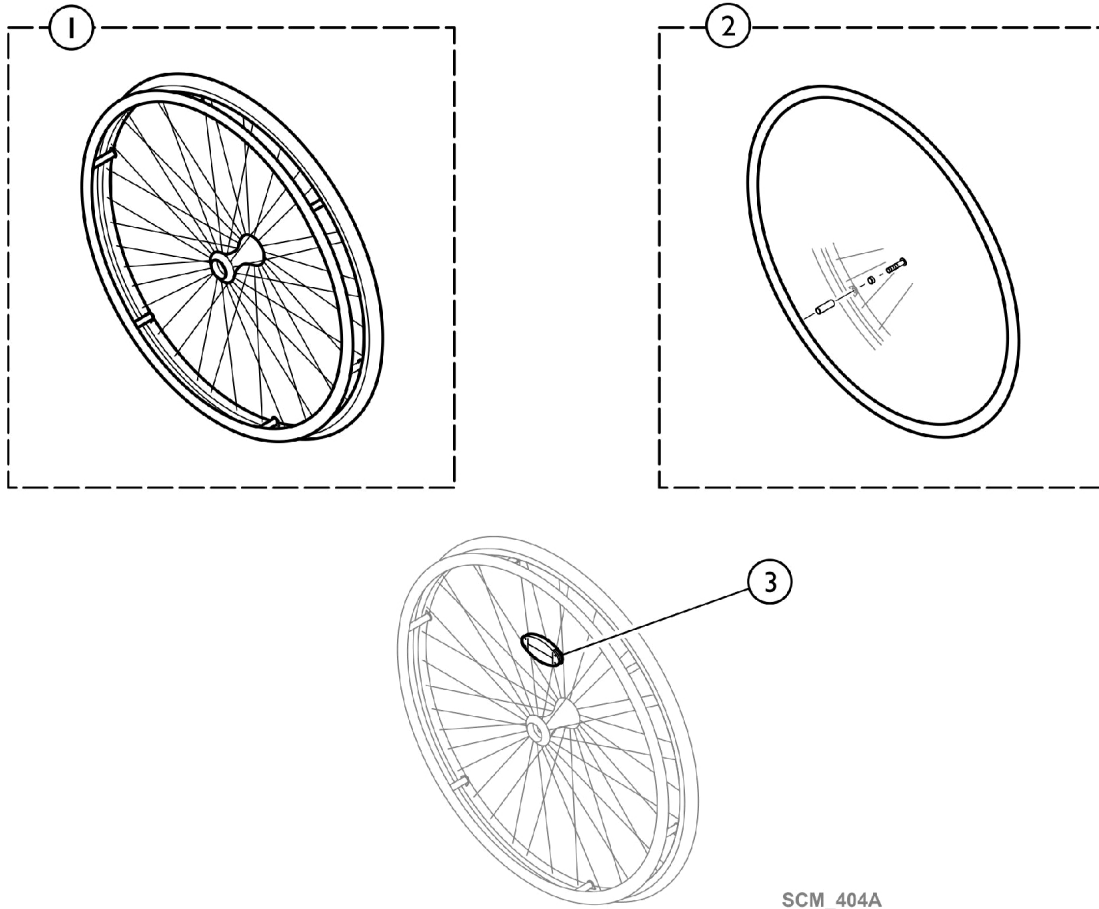
Front Wheels - Casters



Front Wheels - Casters

Item Number	Note	Part Number	Description	Quantity Per	
				Package	Assembly
1		1562626-NLA	NLA - 4" Everyday Wheel, Three Spokes, Black	1	2
2		SP1638071	5" Everyday Wheel, 3 Spokes, Black (Pair)	2	1
3		SP1638032-NLA	NLA - 4" Caster, Black, Aluminum Rim, Frog Legs	1	2
3		SP1638083	4" Caster, Silver, Aluminum Rim, Frog Legs	1	2
4		SP1638084	5" Caster, Black, Aluminum Rim, Frog Legs	1	2
4		SP1638085	5" Caster, Silver, Aluminum Rim, Frog Legs	1	2
5		1570108	Axle Set w/out Spacer	1	2
6		1570105	Ball Bearing 6000-2RS (Pair)	2	2

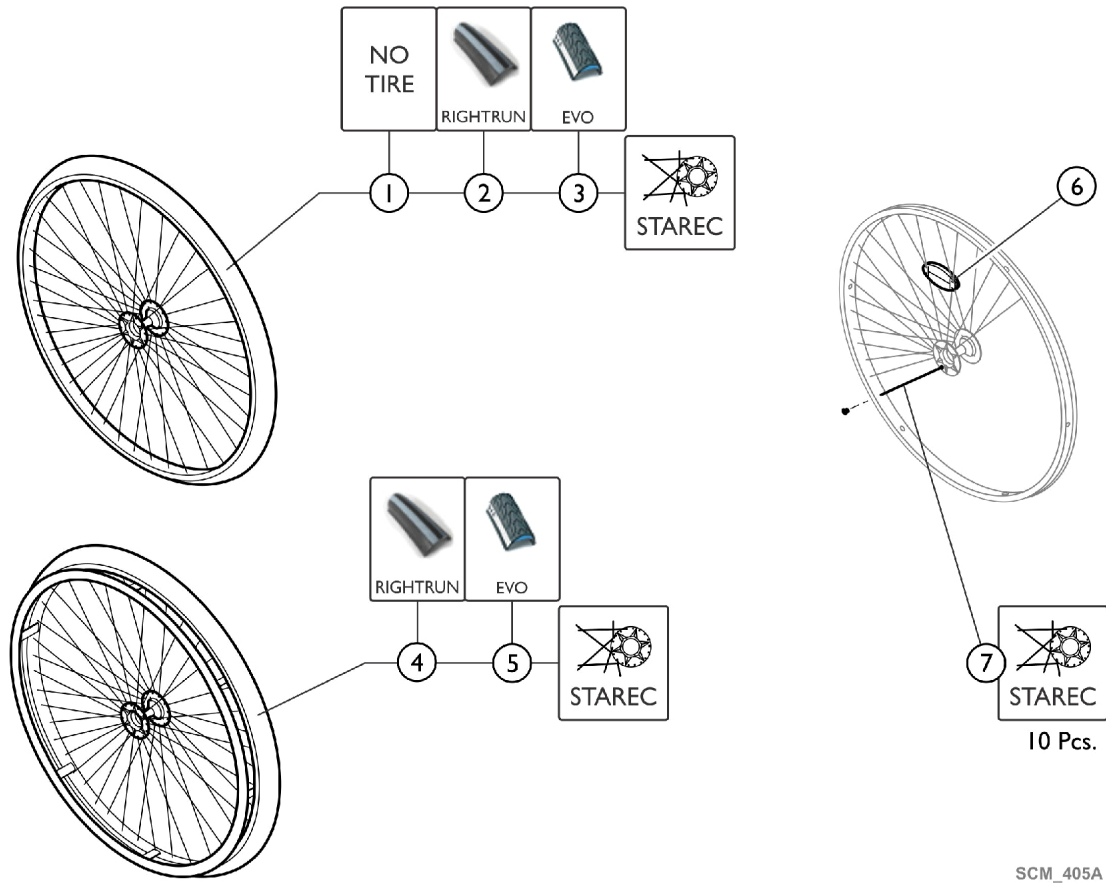
Rear Wheels - Kuschall (Starec) Wheel (24")



SCM_404A

Item Number	Note	Part Number	Description	Quantity Per	
				Package	Assembly
1		1583058	Rear Wheel, Active (24")	1	2
2		1583059	Kit, Handrim, Aluminum w/ Hardware, Economy (24")	1	2
3		1571073	Spoke Reflector (Pair)	2	1

Rear Wheels - Active (24")

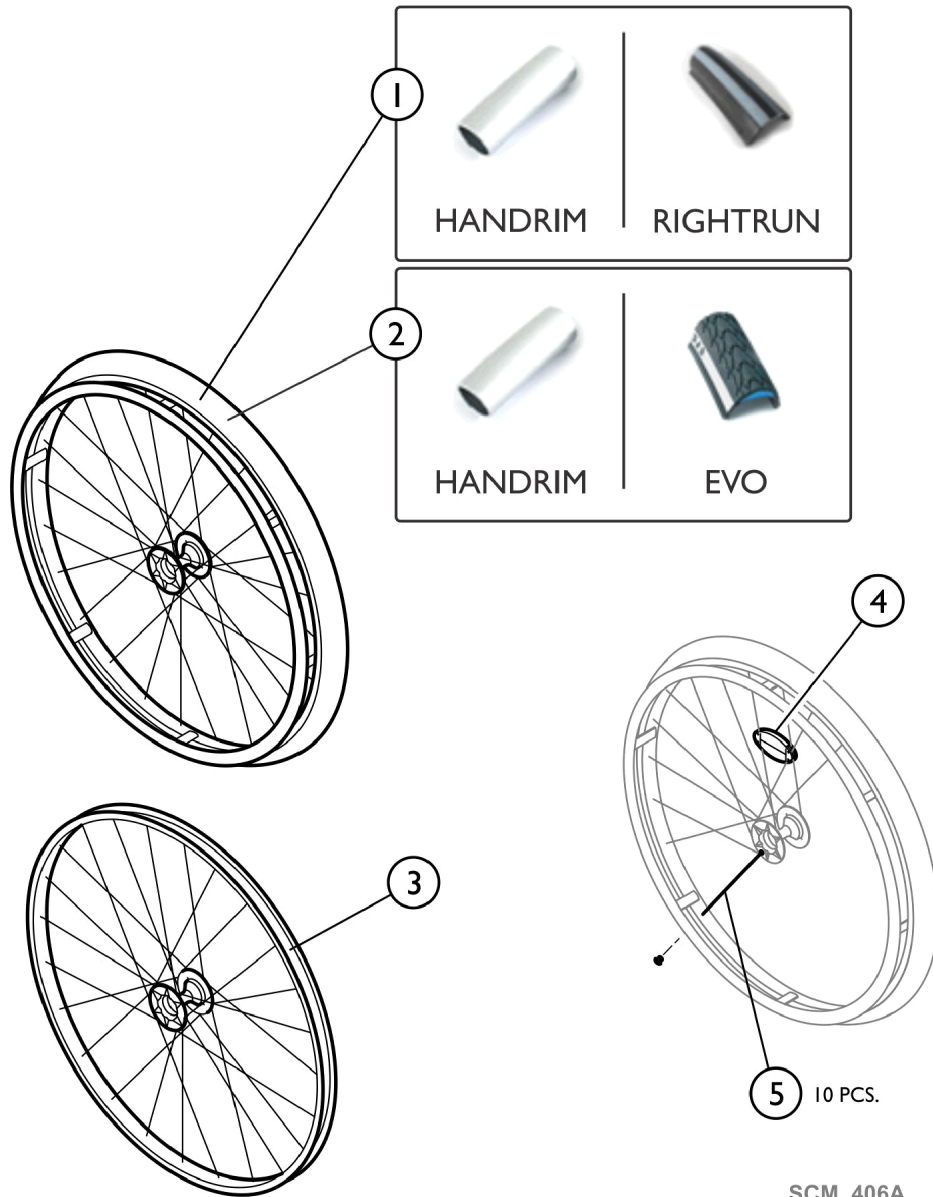


SCM_405A

Rear Wheels - Active (24")

Item Number	Note	Part Number	Description	Quantity Per	
				Package	Assembly
1		1567104-0407-N LA	NLA - Rear Wheel (24"), Starec X, Clear, No Handrim, No Tire	1	2
2		SP1601745	Rear Wheel (24"), Starec Hub X, No Handrim, Rightrun Black/Grey Tire	1	2
3		1554399-0407	Rear Wheel (24"), Starec X, Clear, No Handrim, Marathon Evo Tire	1	2
4		SP1601747	Rear Wheel (24"), Starec Hub X, Handrim, Rightrun Black/GreyTire	1	2
5		1554400-0407	Rear Wheel (24"), Starec X, Clear, Handrim, Marathon Evo Tire	1	2
6		1571073	Spoke Reflector (Pair)	2	1
7		1579086	Kit, Spoke, Complete (253mm)	1	1

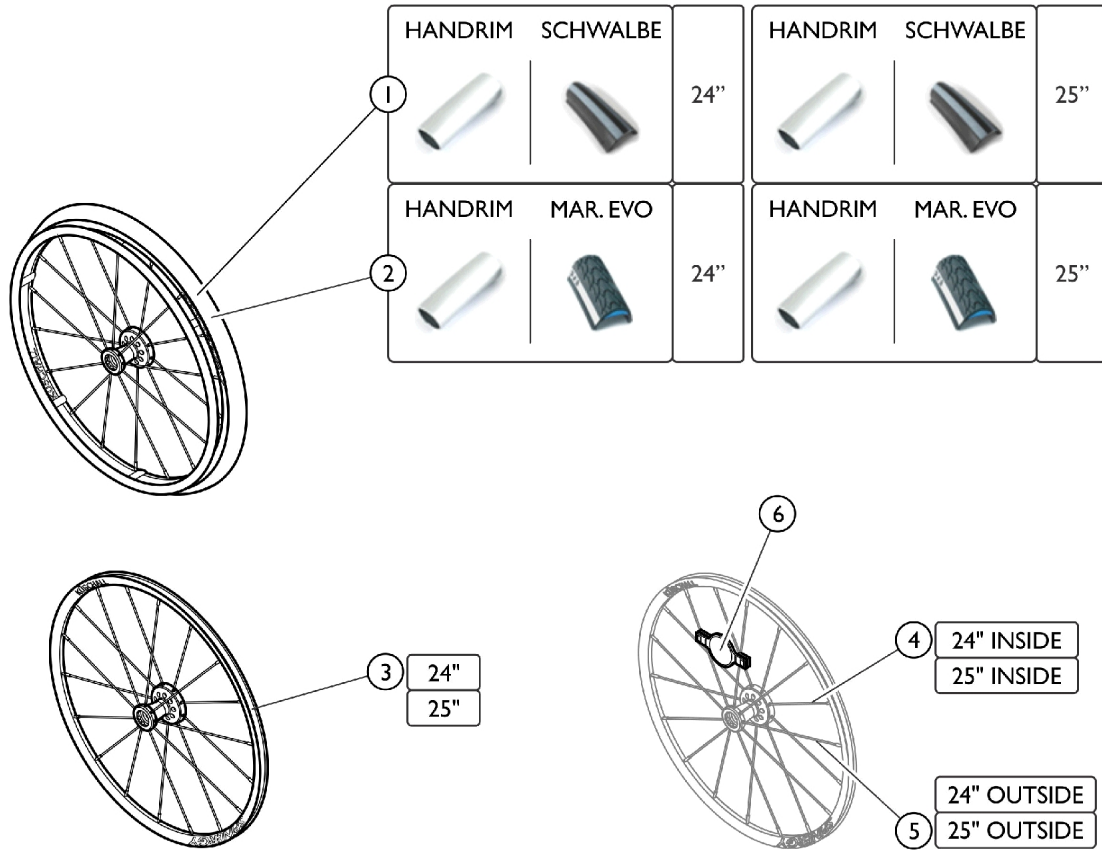
Rear Wheels - High Performance (24")



SCM 406A

Item Number	Note	Part Number	Description	Quantity Per	
				Package	Assembly
1		SP1601754-040 7	Wheel (24"), High Performance, Clear, Handrim, Rightrun Tire, Black-Grey	1	1
2		1527046	Rear Wheel (24"), High Performance, Clear, Aluminum Handrim, Marathon Evolution Tire	1	1
3		1517723-0407	Rear Wheel (24"), High Performance, Clear, No Handrim, No Tire	1	1
4		1571073	Spoke Reflector (Pair)	2	1
5		1578867	Kit, Spokes, High Performance Wheel (24")	10	1

Rear Wheels - Spinerdy L XK (24" and 25")

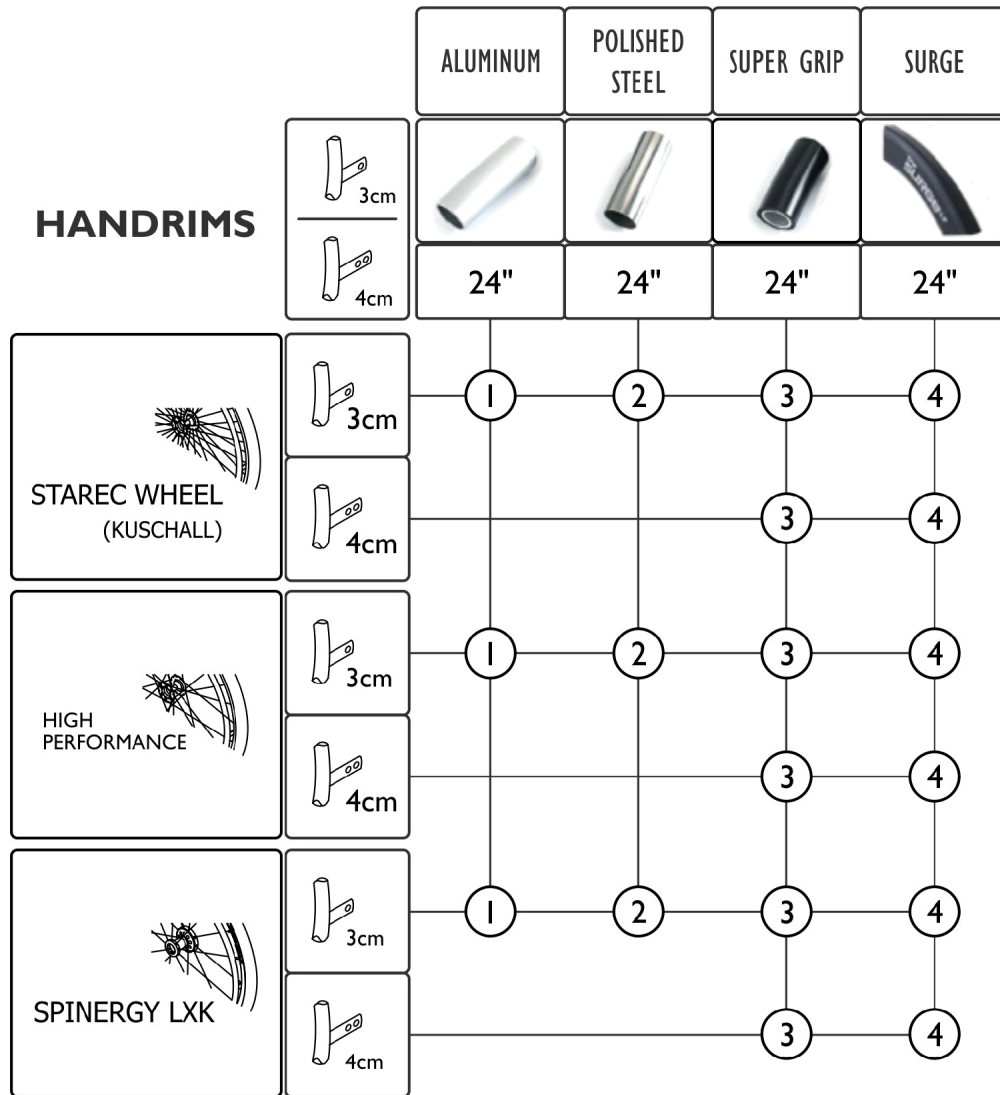


SCM_266B

Rear Wheels - Spinergy LXX (24" and 25")

Item Number	Note	Part Number	Description	Quantity Per	
				Package	Assembly
1		1585007	Rear Wheel, Spinergy LXX, Aluminum Handrim, Tire Schwalbe One (24")	1	2
2		1585008	Rear Wheel, Spinergy LXX, Aluminum Handrim, Tire Marathon Evolution (24")	1	2
3		1579102	Rear Wheel (24"), Spinergy LXX, No Handrim, No Tire	1	2
4		1579103	(24") Spoke Inside, Spinergy LXX Wheel (236mm)	9	2
5		1579104	(24") Spoke Outside, Spinergy LXX Wheel (249mm)	9	2
6		1571088	Spoke Reflector (Pair)	2	1

Rear Wheels - Handrims (24" Wheel)

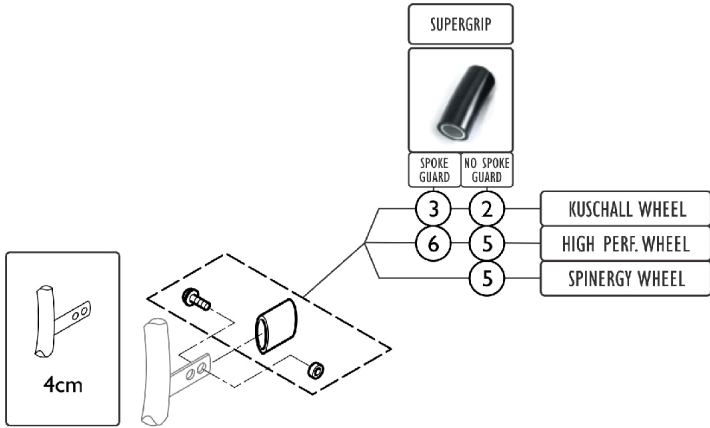
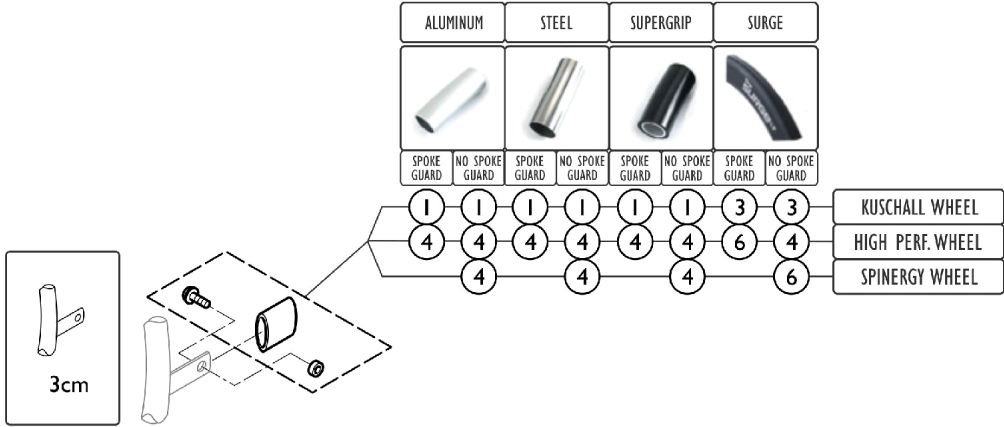


SCM_408A

Item Number	Note	Part Number	Description	Quantity Per	
				Package	Assembly
1		1568714-0005	Handrim, Aluminum, Distance (24" - 3cm)	1	2
2		1568715	Handrim, Polished Steel, Distance (24" - 3cm)	1	2
3		1568703	Handrim, Super-Grip (24")	1	2
4	A	SP60122339	Handrim 24" Carbolife Gekko S	1	2

NOTE: A - 1556916 is no longer available. Use part number SP60122339 as a replacement.

Rear Wheels - Handrim Hardware (24" Wheel)



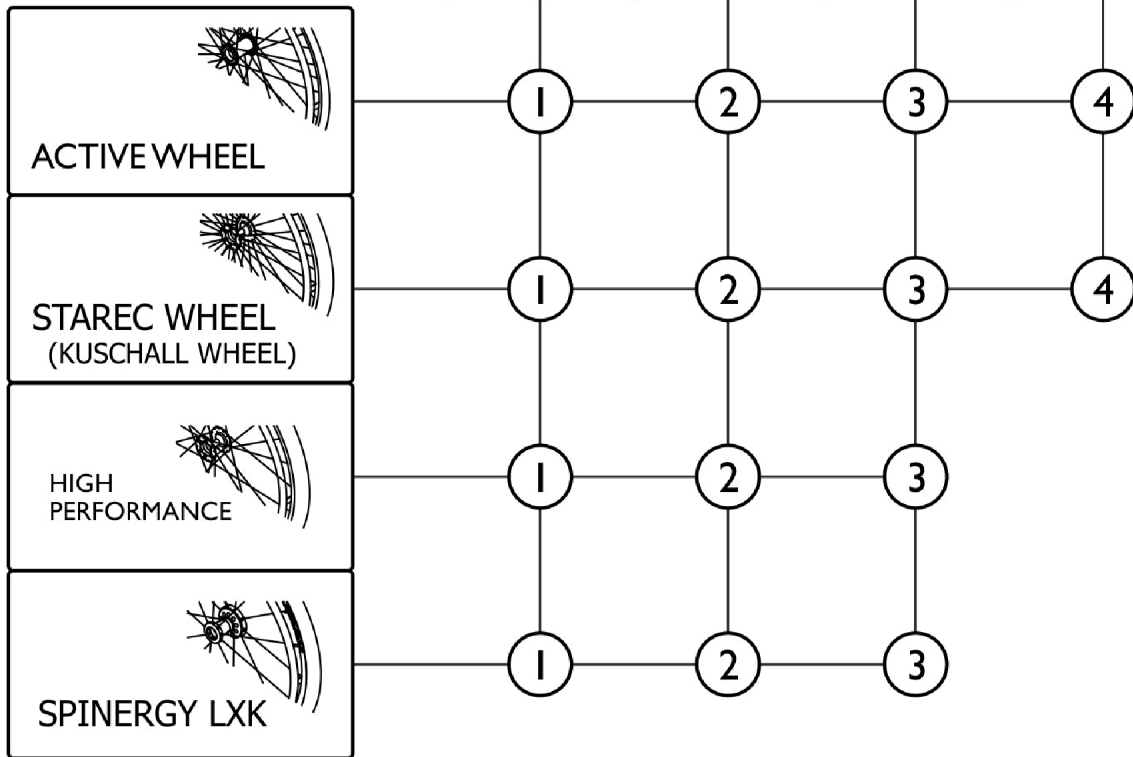
SCM_420A

Item Number	Note	Part Number	Description	Quantity Per	
				Package	Assembly
1		1495958	Kit, Hardware, Handrim (3 cm)	1	2
2		1495959	Kit, Hardware, Handrim (4 cm)	1	2
3		1495961	Kit, Hardware, Handrim w/ Spokes Guard (4cm)	1	2
4		1496019	Kit, Hardware, Handrim, High Performance (3 cm)	1	2
5		1496020	Kit, Hardware, Handrim, High Performance (4cm)	1	2
6		1497111	Kit, Hardware, Handrim, High Performance w/ Spokes Guard (4cm)	1	2

Rear Wheels - Tires (24" Wheel)

TIRES

RIGHTRUN TIRE	MARATHON EVO	SCHWALBE TIRE	SOLID TIRE
			
24"	24"	24"	24"

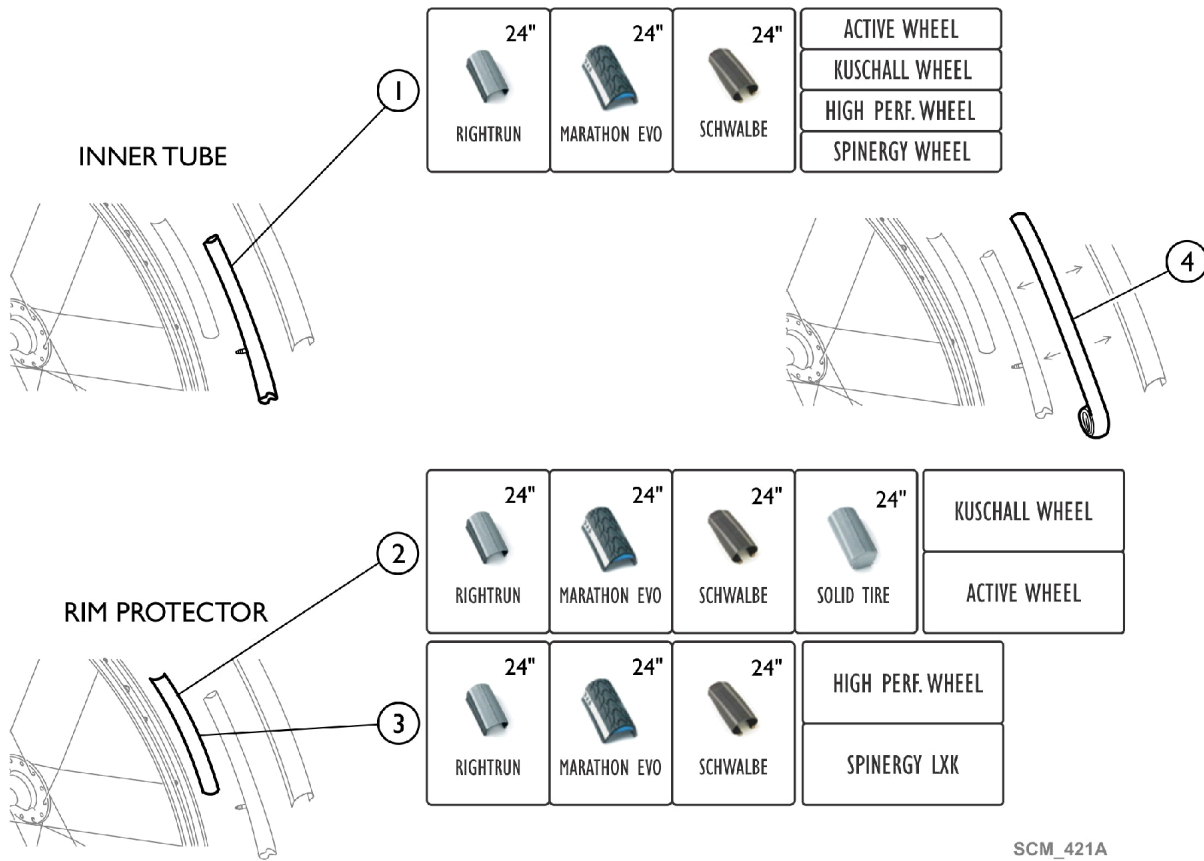


SCM_409A

Rear Wheels - Tires (24" Wheel)

Item Number	Note	Part Number	Description	Quantity Per	
				Package	Assembly
1		SP1590118	Tire, Rightrun, Black/Grey (24")	1	2
2		1570838	Tire, Marathon Plus Evo (24")	1	2
3		1578802	Tire, Schwalbe One (24")	1	2
4		1570831	SolidTire, Profile (24")	1	2

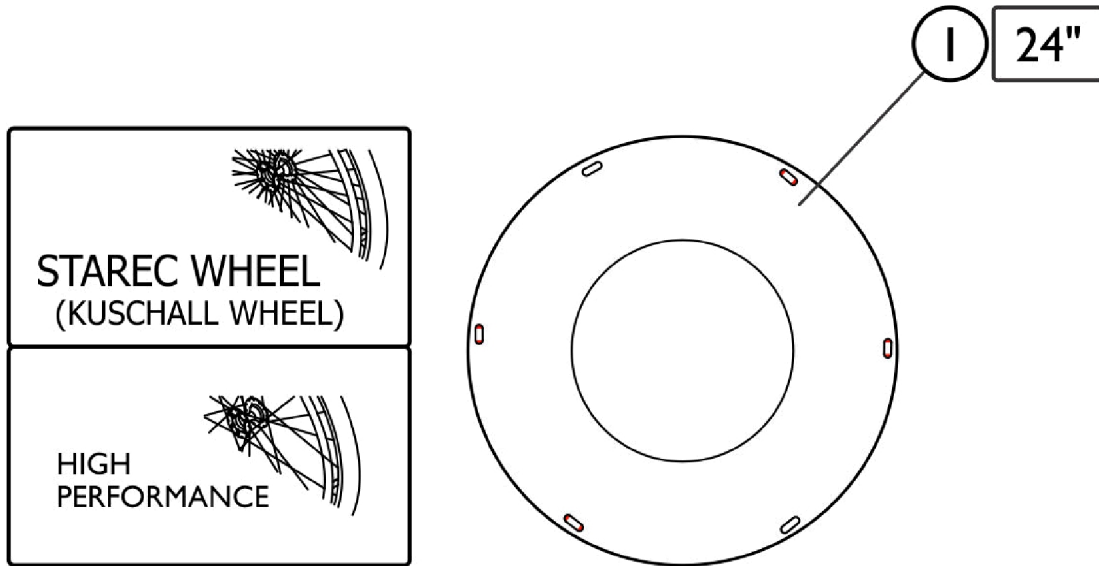
Rear Wheels - Inner Tube and Rim Protection



Rear Wheels - Inner Tube and Rim Protection

Item Number	Note	Part Number	Description	Quantity Per	
				Package	Assembly
1		1570849	Inner Tube (24" x 1")	1	2
2		1570845	Rim Protection (24" Large)	1	2
3		1495962	Rim Protection, High Performance / Spinergy Wheel (24")	1	2
4		1571072	Rear Wheel Insert Flat Free (20, 22, 24, 26" Tire)	1	2

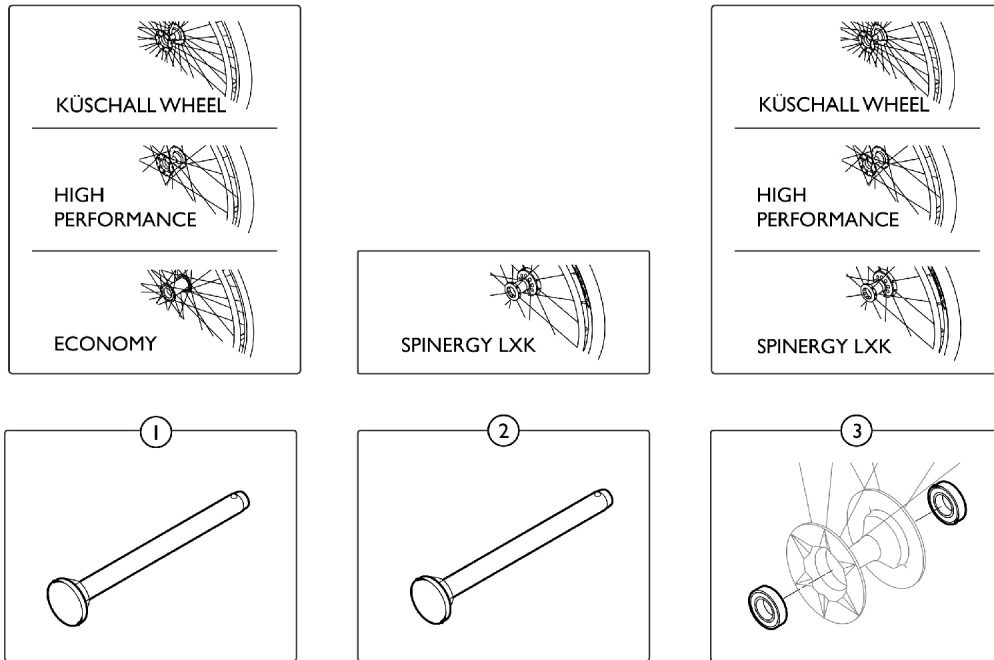
Rear Wheels - Spoke Guard - Transparent



SCM_410A

Item Number	Note	Part Number	Description	Quantity Per	
				Package	Assembly
1		1564457	Spoke Guard, Transparent (24")	1	2

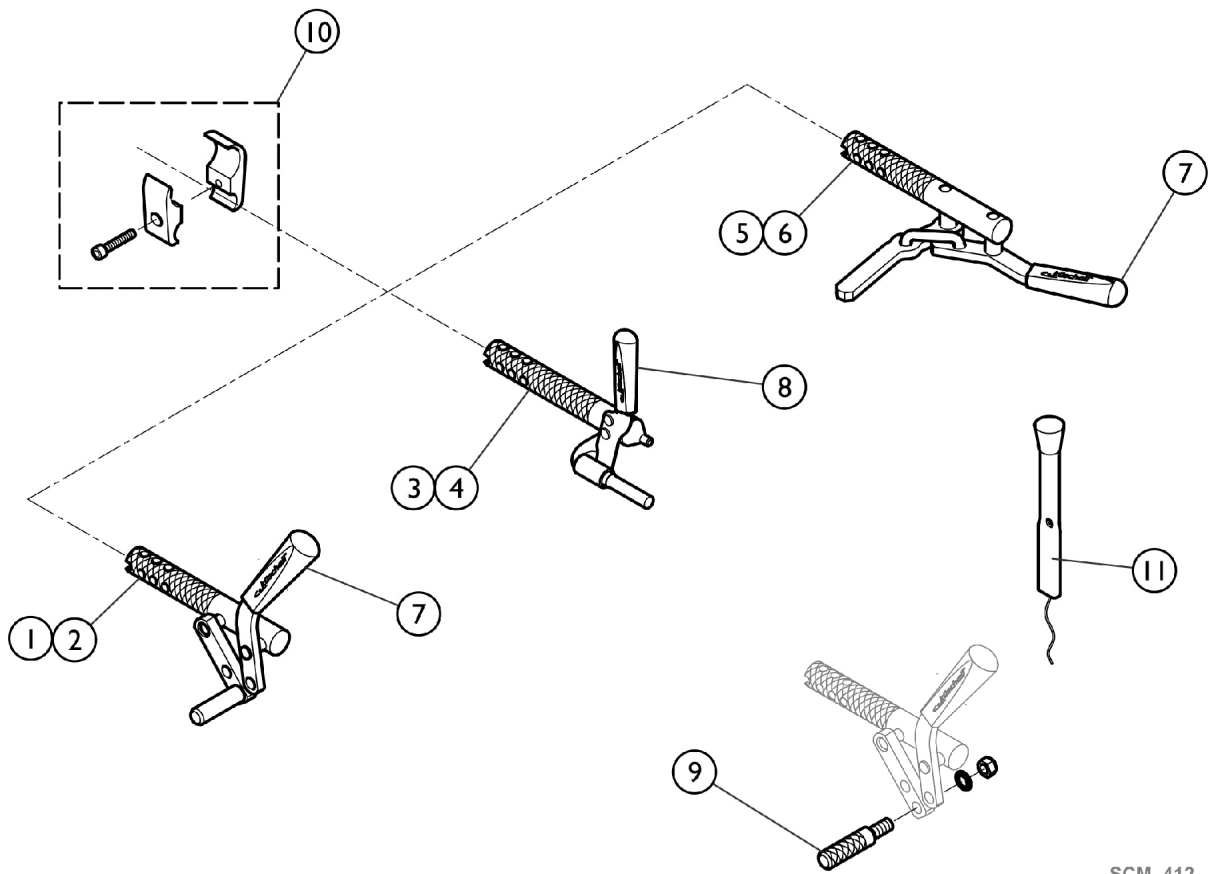
Rear Wheels - Quick Release Axle w/ Hardware



SCM_411A

Item Number	Note	Part Number	Description	Quantity Per	
				Package	Assembly
1		1509137-0004	Quick Release Axles Long w/ Cap, Black (Pair)	2	1
2		1507627	Quick Release Axle, Long w/ Cap, Spinergy Wheel (Pair)	2	1
3		1571069	Bearing R8-2RS 1/2"/1.1/8"x5/16" (Pair)	2	1

Rear Wheels - Wheel Locks

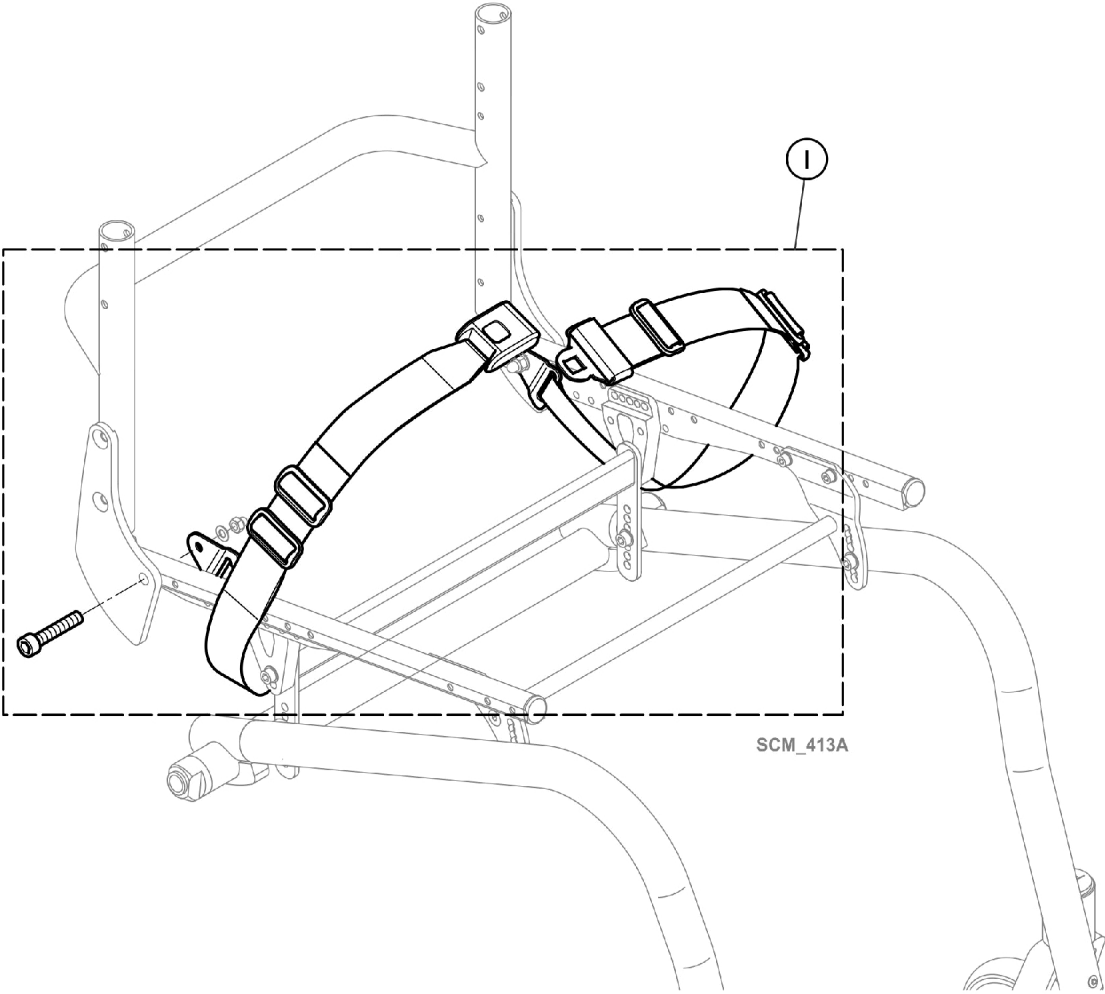


SCM_412

Rear Wheels - Wheel Locks

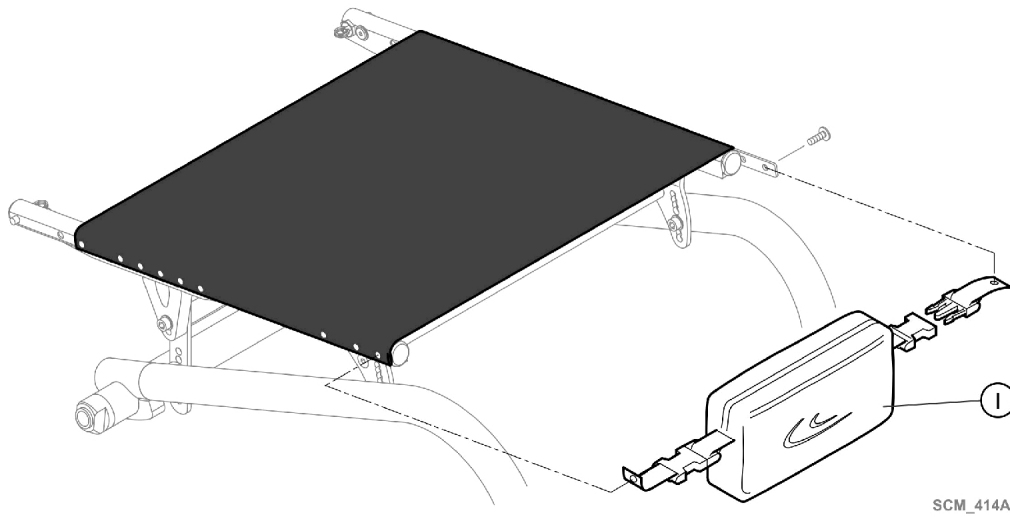
Item Number	Note	Part Number	Description	Quantity Per	
				Package	Assembly
1		1562583	Brake, Bent Lever, Left	1	1
2		1562584	Brake, Bent Lever, Right	1	1
3		1562591	Performance Brake, Left	1	1
4		1562592	Performance Brake, Right	1	1
5		SP1512133	Active Brake Left	1	1
6		SP1512134	Active Brake Right	1	1
7		1513177	Brake Handle Standard (Pair)	2	1
8		1513178	Brake Handle, Performance Brake (Pair)	2	1
9		1579328	Kit, Brake Shoe Standard (40mm)	4	1
10		1562599	Brake Clamp, Set	1	2
11		1513179	Brake Lever Extension (Pair)	2	1

Options and Accessories - Positioning Strap



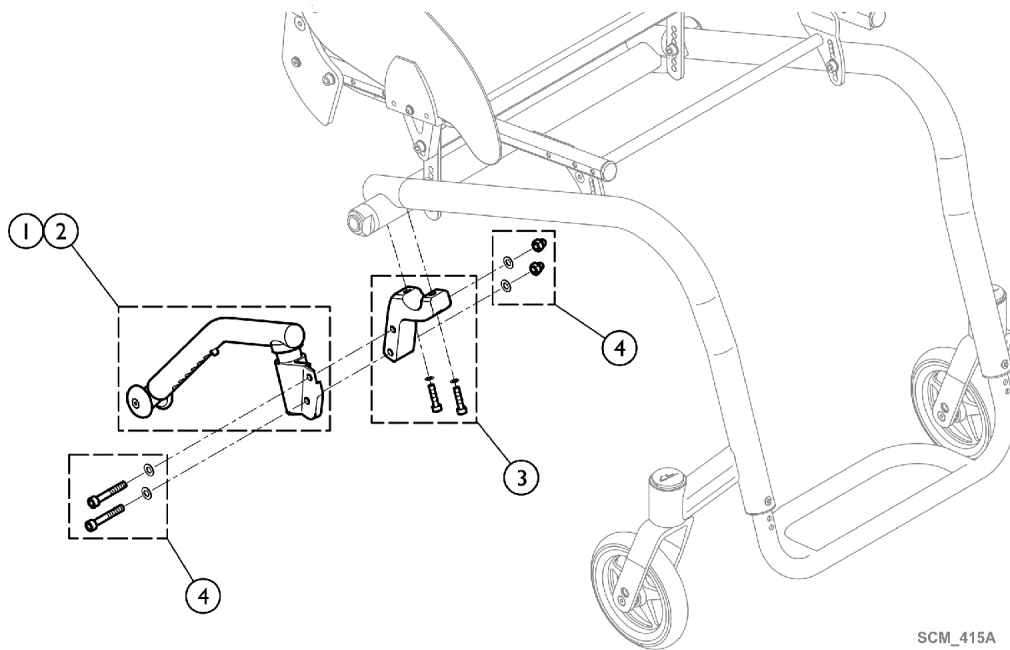
Item Number	Note	Part Number	Description	Quantity Per	
				Package	Assembly
1		1561025	Positioning Strap, Transportation	1	1

Options and Accessories - Seat Frame Bag



Item Number	Note	Part Number	Description	Quantity Per	
				Package	Assembly
1		1529340	Seat Bag	1	1

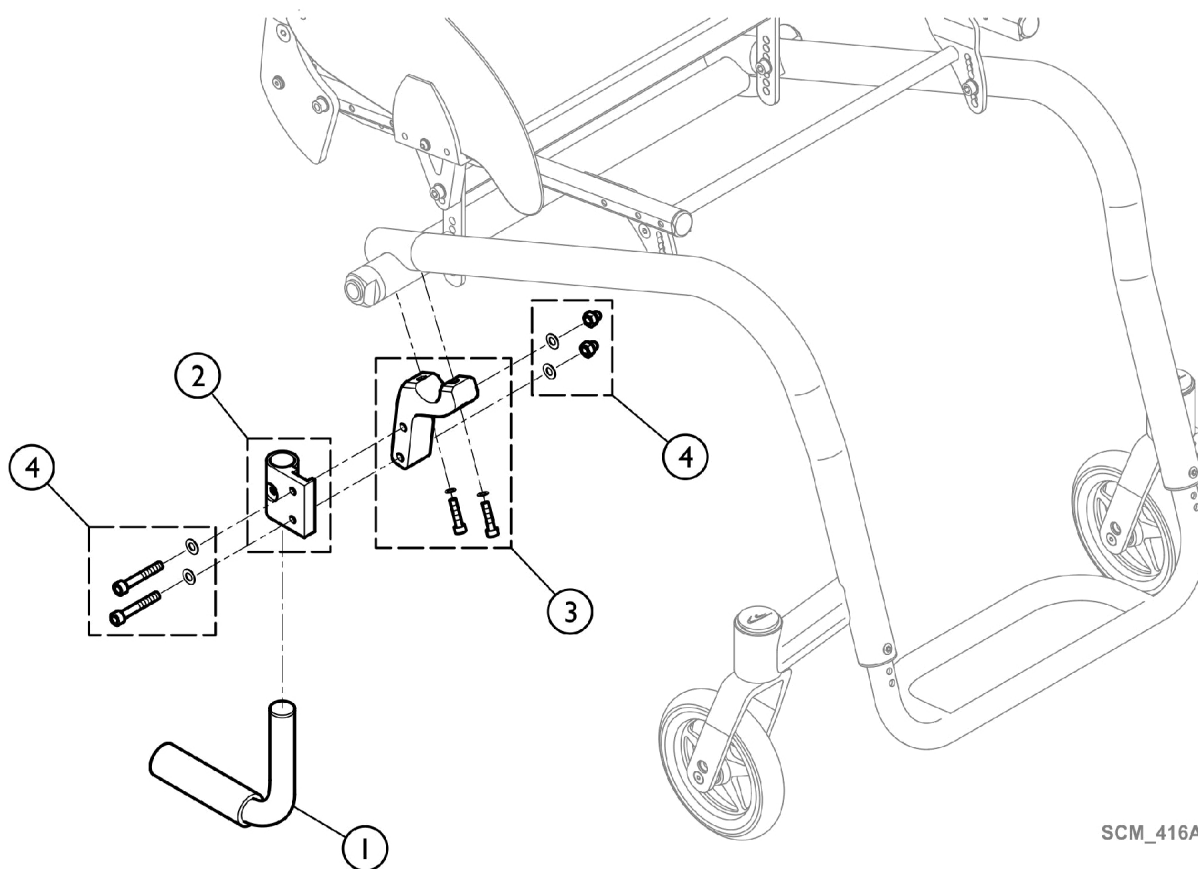
Options and Accessories - Anti-Tippers



SCM_415A

Item Number	Note	Part Number	Description	Quantity Per	
				Package	Assembly
1		1488927	Anti-Tipper, Short - Left, Complete	1	1
2		1488928	Anti-Tipper, Short - Right, Complete	1	1
3		1585058	Kit, Adaption Holder	1	1
4		1585083	Kit, Hardware, Adaption Holder	1	1

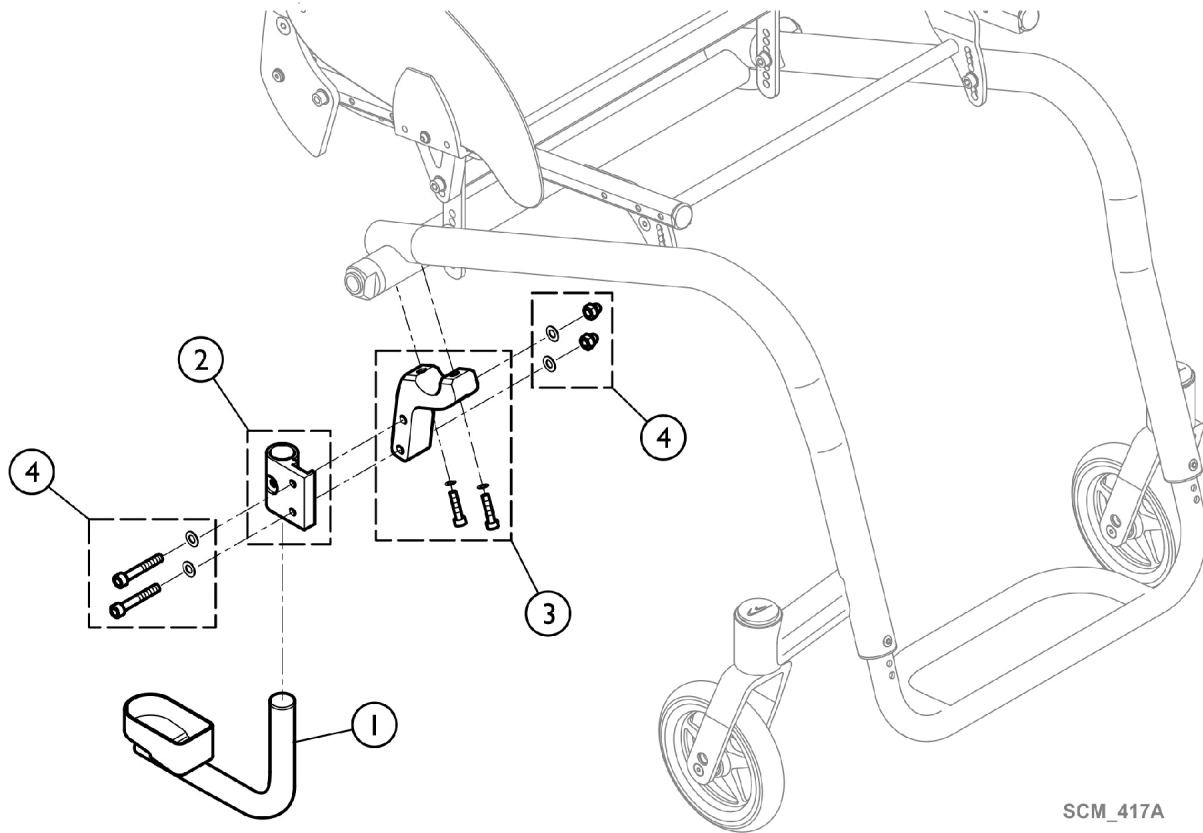
Options and Accessories - Tipping Aid



Options and Accessories - Tipping Aid

Item Number	Note	Part Number	Description	Quantity Per	
				Package	Assembly
1		1438213	Tipper-Aid, Complete UL/C04	1	1
2		1585084	Adaption Holder	1	1
3		1585058	Kit, Adaption Holder	1	1
4		1585083	Kit, Hardware, Adaption Holder	1	1

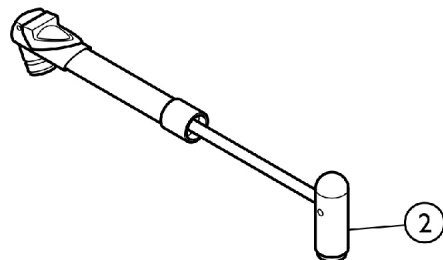
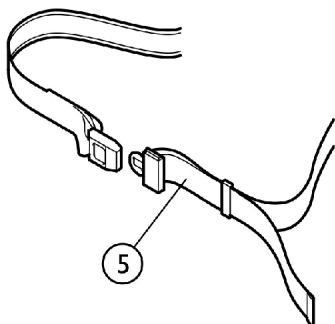
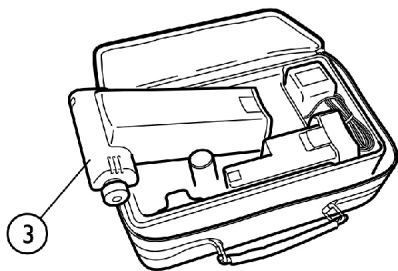
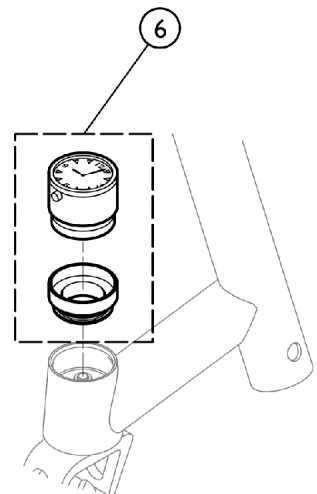
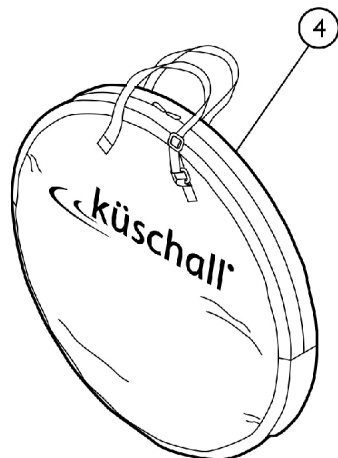
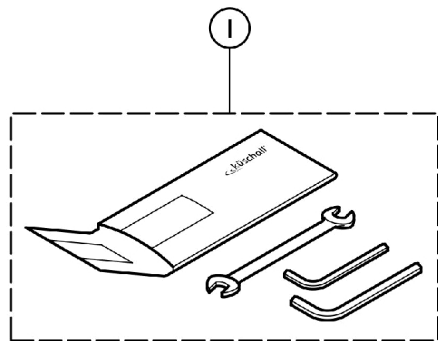
Options and Accessories - Cane Holder



Options and Accessories - Cane Holder

Item Number	Note	Part Number	Description	Quantity Per	
				Package	Assembly
1		1438214	Cane Holder Complete UL/C04	1	1
2		1585084	Adaption Holder	1	1
3		1585058	Kit, Adaption Holder	1	1
4		1585083	Kit, Hardware, Adaption Holder	1	1

Options and Accessories - Chair Accessories



SCM_418A

Options and Accessories - Chair Accessories

Item Number	Note	Part Number	Description	Quantity Per	
				Package	Assembly
1		1518285	Tool Kit	1	1
2		1517924	Air Pump	1	1
3		1518286	Air Man	1	1
4		1518287	Wheel Bag 24" - 26"	1	1
5		1518288	Positioning Strap Assembly, Auto Style	1	1
6		1589117	Kit, Kuschall Watch Mounted, Bearing Block	1	1

Invacare Corporation

www.invacare.com



Yes, you can.

One Invacare Way
Elyria, Oh USA
44036-2125
800-333-6900

Technical Support
800-832-4707
Customer Service
800-333-6900

Literature Orders
800-333-6900

© 2022 Invacare Corporation. All rights reserved. Republication, duplication or modification in whole or in part is prohibited without prior written permission from Invacare. Trademarks are identified by ™ and ®. All trademarks are owned by or licensed to Invacare Corporation or its subsidiaries unless otherwise noted. (Revised 08/18/22)

Form No. 16-250