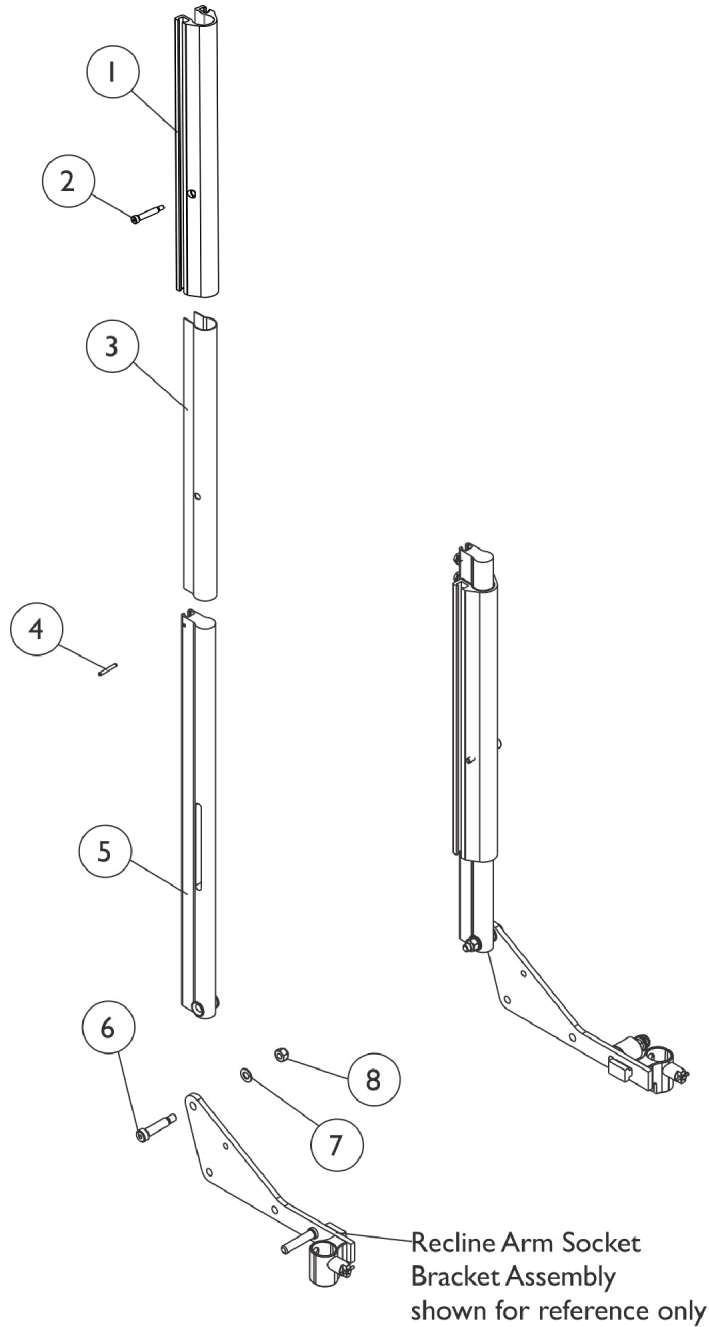


Back Canes, Slide Blocks and Sleeves

For Conventional Recline, BPO Recline & Tilt/Recline

Extruded Back Cane material comes in one height only and measures approximately 20-1/2" and the overall back height from the seat pan to the top of the extruded cane measures approximately 22-1/2" high. Only the Back Assembly needs to be replaced when changing back heights.



Conventional Recline and Tilt/Recline

Back Canes, Slide Blocks and Sleeves For Conventional Recline, BPO Recline & Tilt/Recline

Extruded Back Cane material comes in one height only and measures approximately 20-1/2" and the overall back height from the seat pan to the top of the extruded cane measures approximately 22-1/2" high. Only the Back Assembly needs to be replaced when changing back heights.

Item Number	Note	Part Number	Description	Quantity Per	
				Package	Assembly
1		1122263	Block, Slide Back - Left	1	1
1		1124693	Block, Slide Back - Right	1	1
2		1000212	Screw, Shoulder Hex Socket (1/4 x 1-1/4", #10-24)	1	2
3		1122464	Sleeve, Back Slide (15-1/4" L)	1	2
4		1119847	Pin, Roll (1/8 x 1")	1	2
5		1122560	Cane, Back, Extruded Conventional, Black - Right/Left	1	2
6		1062604	Screw, Shoulder Hex Socket (3/8 x 1-1/4", 5/16-18)	1	2
7		1025704	Washer, Flat (5/16 x 5/8 x 1/16")	1	2
8		1026158	Locknut (5/16-18)	1	2