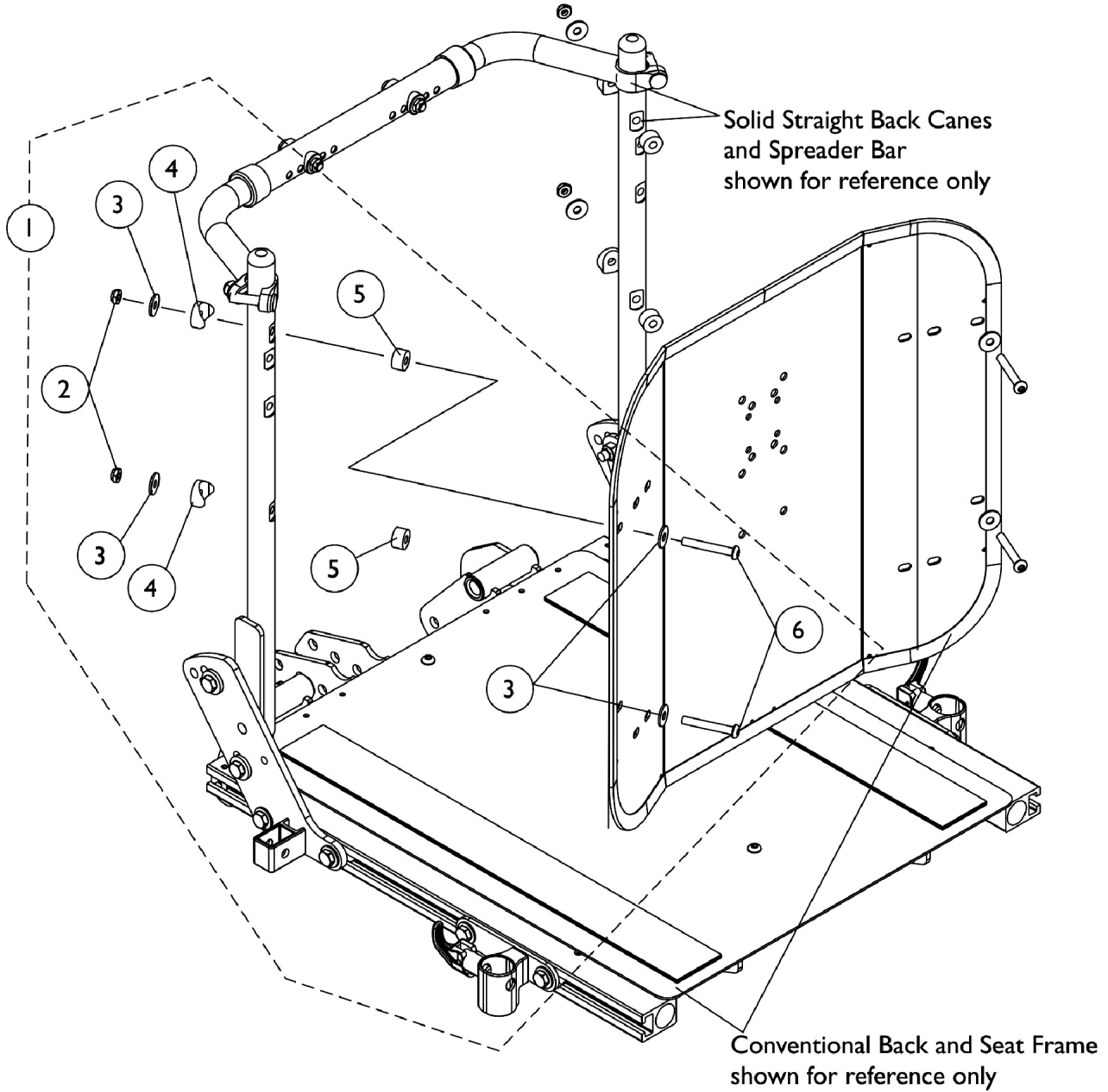


Back Mounting Hardware

Conventional Tilt - Before 5/15/09



Back Mounting Hardware Conventional Tilt - Before 5/15/09

Item Number	Note	Part Number	Description	Quantity Per	
				Package	Assembly
1	A	1125757-NLA	NLA - Kit, Back Mounting Hardware For Conventional Tilt	1	1
2			Locknut (1/4-20)	1	4
3			Washer (1/4 x 23/32 x 1/16")	1	8
4			NLA - Spacer, Coved (1/4 x 7/8 x 7/16")	1	4
5			NLA - Spacer (1/4 x 5/8 x 3/8")	1	4
6			NLA - Screw, Socket Button Head (1/4-20 x 2")	1	4
NOTE: A - Includes items 2-6					