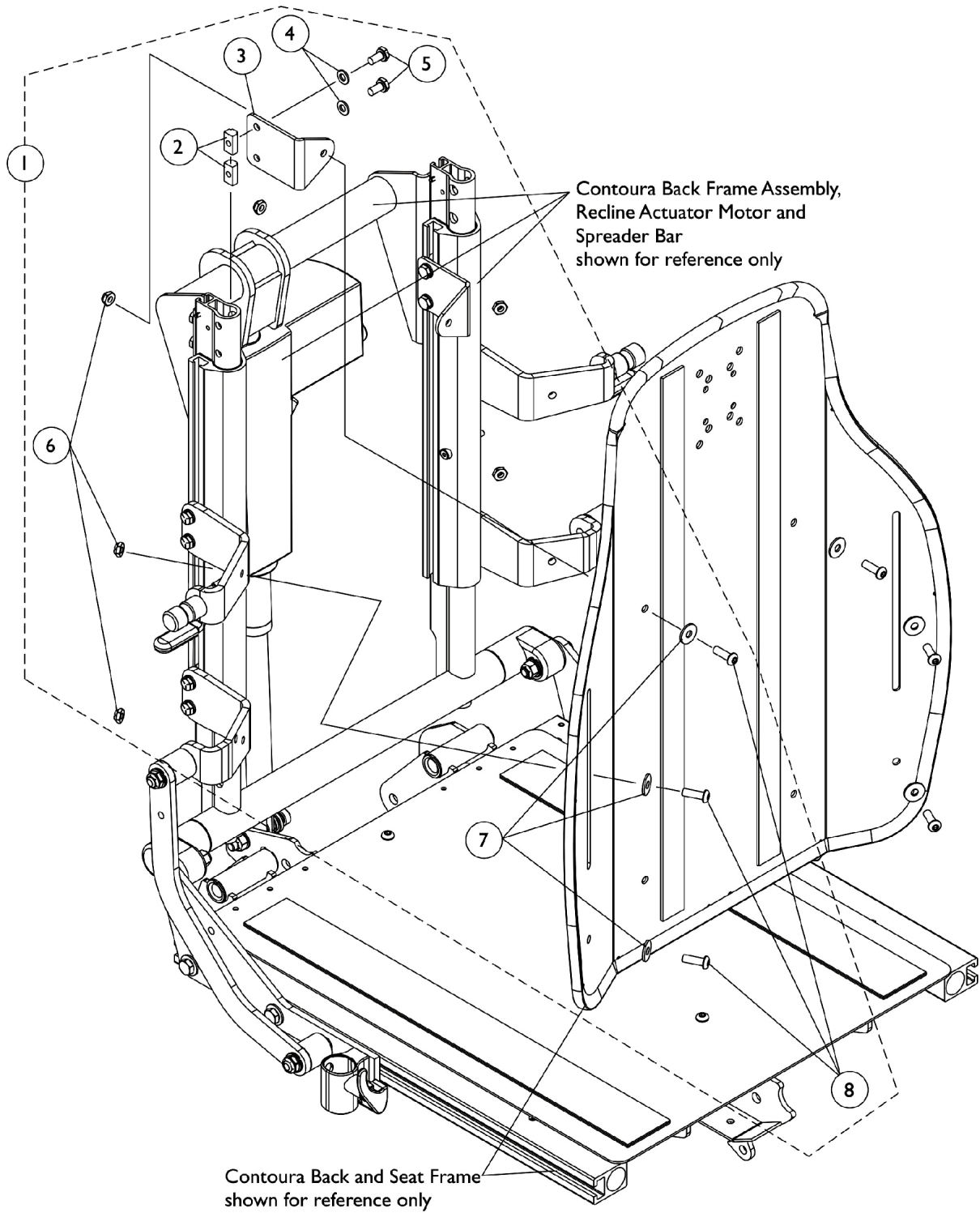


Back Mounting Hardware

Contoura Recline and Tilt/Recline - Before 5/15/09



Back Mounting Hardware

Contoura Recline and Tilt/Recline - Before 5/15/09

| Item Number | Note | Part Number | Description | Quantity Per | |
|-------------|------|-------------|---|--------------|----------|
| | | | | Package | Assembly |
| 1 | A | 1125754 | Kit, Back Mounting Hardware For Contoura Recline and Tilt/Recline | 1 | 1 |
| 2 | | | T-Nut (1/4-20) | 1 | 4 |
| 3 | | | NLA - Bracket, Back Mounting, Black | 1 | 2 |
| 4 | | | Washer (1/4 x 1/2 x 1/16") | 1 | 4 |
| 5 | | | Screw, Hex Head w/ Patch (1/4-20 x 1/2") | 1 | 4 |
| 6 | | | Locknut (1/4-20) | 1 | 6 |
| 7 | | | Washer (1/4 x 23/32 x 1/16") | 1 | 6 |
| 8 | | | Screw, Socket Button (1/4-20 x 3/4") | 1 | 6 |

NOTE: A - Includes items 2-8