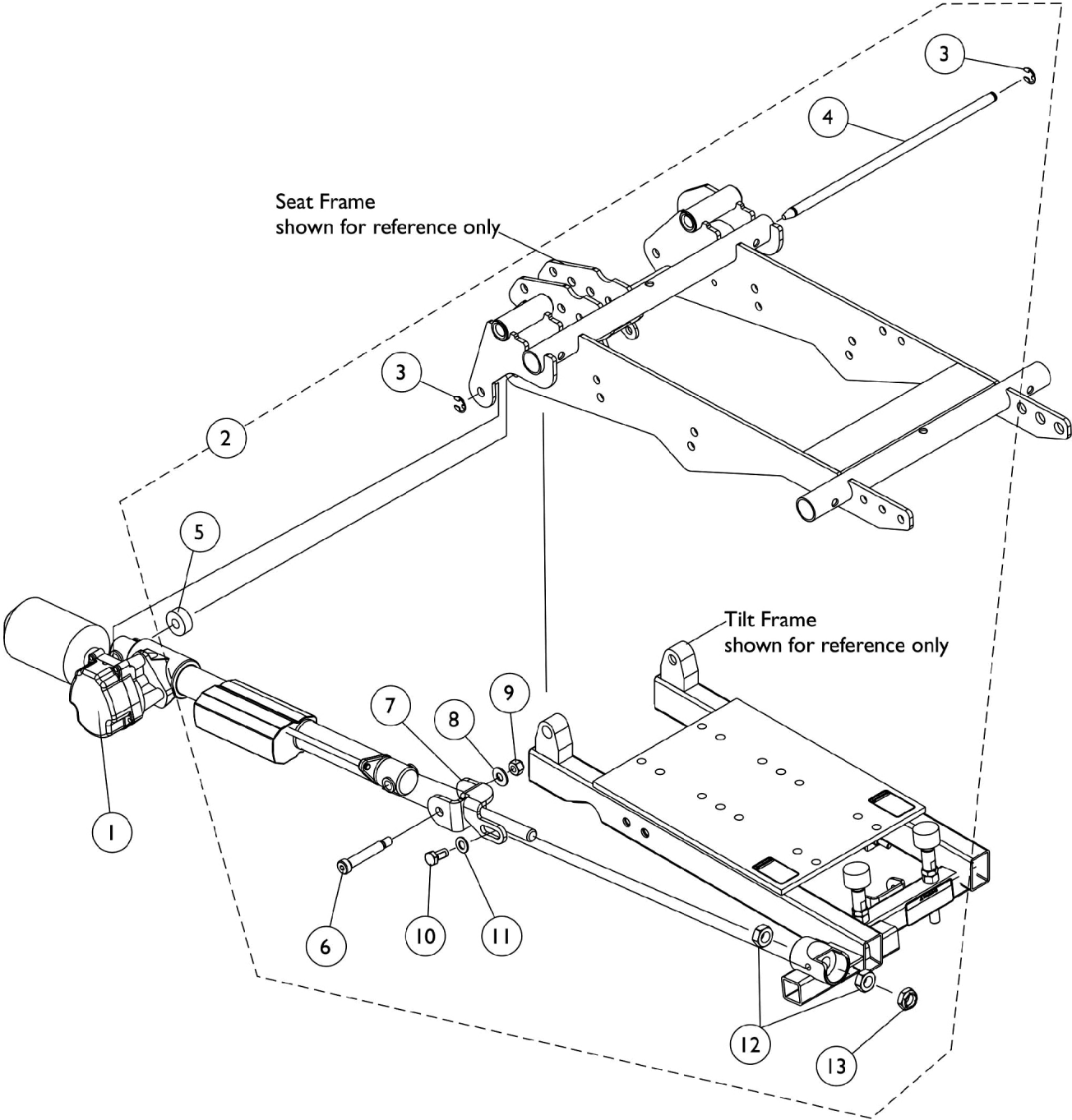


Tilt Actuator Motor and Mounting Hardware



Tilt Actuator Motor and Mounting Hardware

Item Number	Note	Part Number	Description	Quantity Per	
				Package	Assembly
1	C	1122691-NLA	NLA - Motor, Tilt Actuator without Mounting Hardware - MK5	1	1
1	B	1146351	Motor, Tilt Actuator without Mounting Hardware - MK6i	1	1
2	A	1125746	Kit, Tilt Actuator Motor Mounting Hardware	1	1
3			NLA - Ring, Retaining	1	2
4			NLA - Rod, Reinforcing	1	1
5			NLA - Stand-Off, Actuator Motor	1	1
6			Screw, Shoulder Hex Socket Head (3/8 x 1-3/4", 5/16-18)	1	1
7			NLA - Bracket, Adjustable Clevis, Black	1	1
8			Washer, Steel (5/16 x 3/4 x 1/16")	1	1
9			Locknut (5/16-18)	1	1
10			Screw, Hex Head w/ Patch (5/16-18 x 5/8")	1	1
11			Washer, Flat (5/16 x 5/8 x 1/16")	1	1
12			NLA - Nut, Hex Jam (1/2-20)	1	2
13			Locknut (1/2-20)	1	1

NOTE: A - Includes items 3-13
 B - For MK6i Electronics only. Includes the Actuator Motor, Bushings and the Integrated Actuator Module (IAM) attached to the motor. The IAM is not available separately. NOTE: Part # 1140033 referenced on the motor is not available, refer to part # 1146351.
 C - Includes the Actuator Motor and Bushings. NOTE: Part # 1134695 referenced on the motor is not available, refer to part # 1122691.