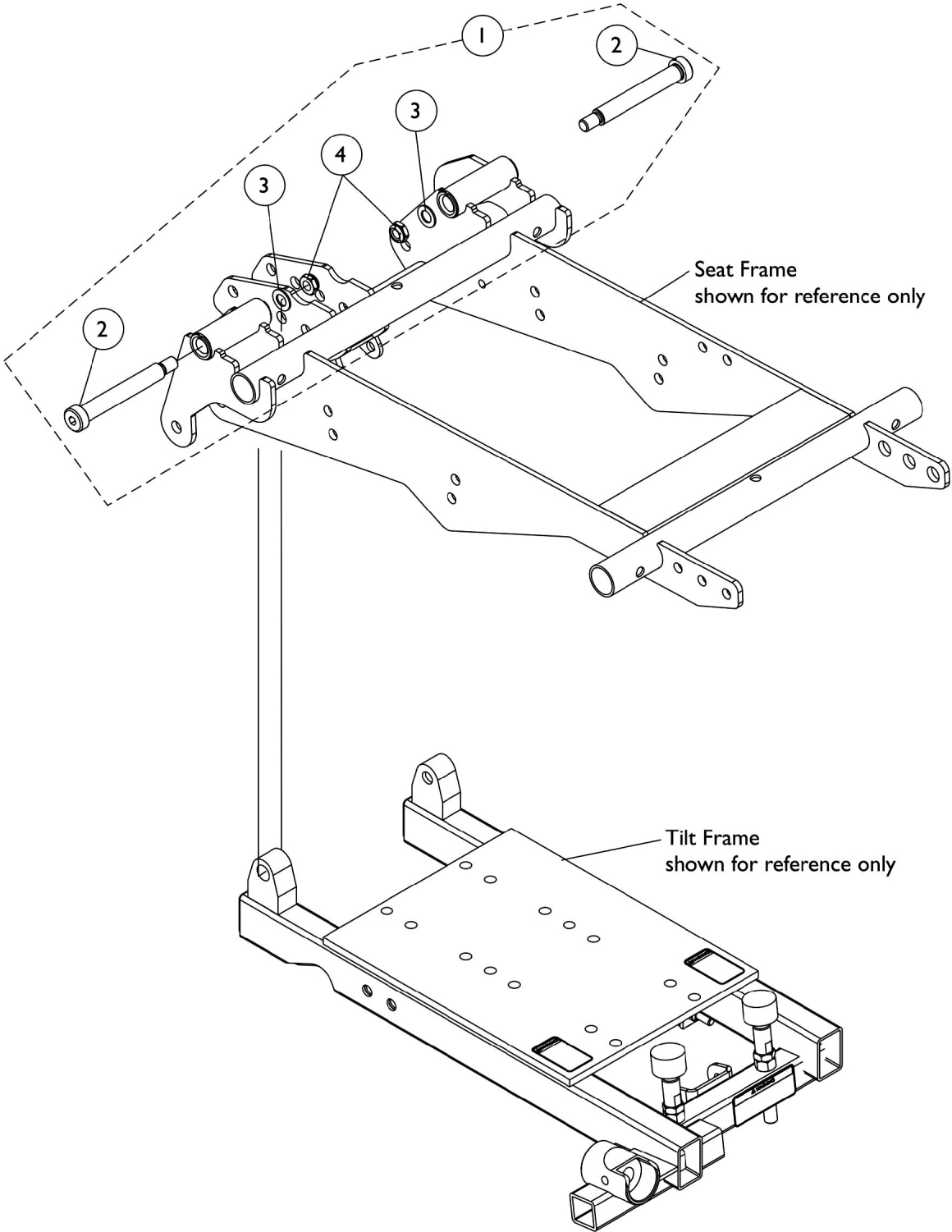


Seat Frame Mounting Hardware

Tilt or Tilt/Recline For Conventional & Contoura Seating



Seat Frame Mounting Hardware

Tilt or Tilt/Recline For Conventional & Contoura Seating

Item Number	Note	Part Number	Description	Quantity Per	
				Package	Assembly
1	A	1125749	NLA - Kit, Seat Frame Mounting Hardware	1	1
2			NLA - Screw, Shoulder Hex Socket Head (1/2 x 3-1/4", 3/8-16)	1	2
3			Washer, Flat (3/8 x 11/16 x 1/16")	1	2
4			Locknut, Low Profile (3/8-16)	1	2

NOTE: A - Includes items 2-4