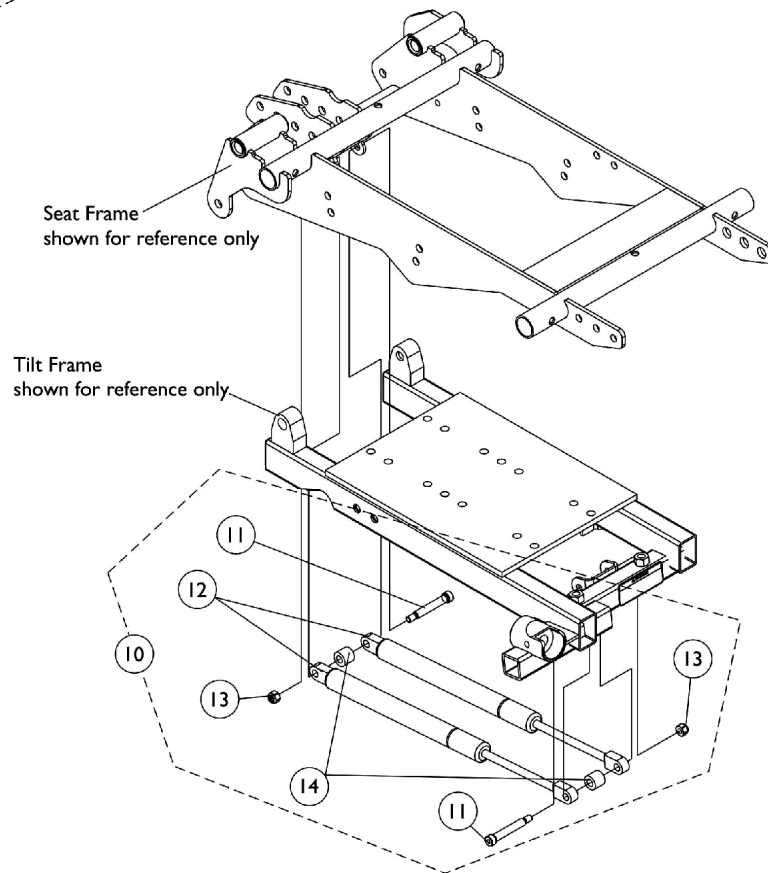
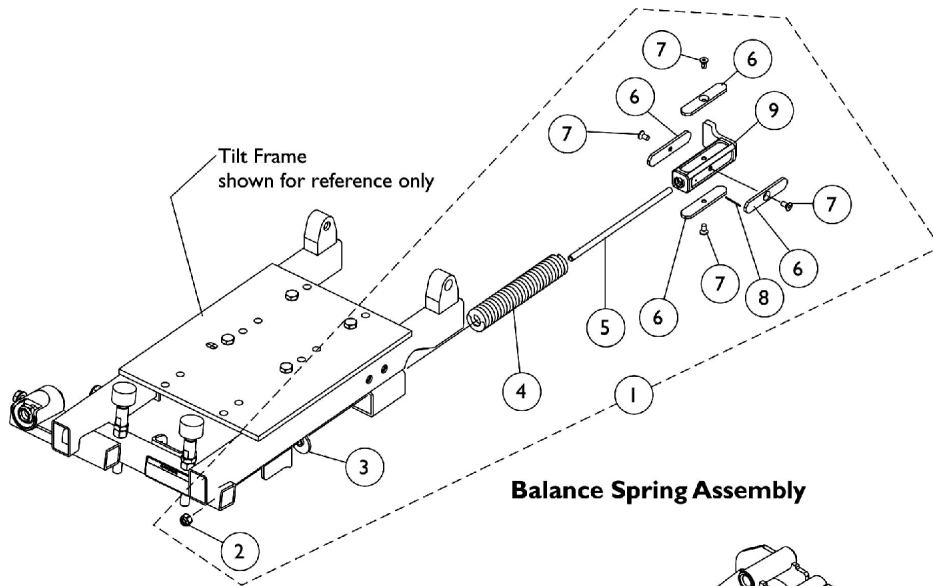


Balance Spring and Tilt Spring Assist Assemblies For Tilt and Tilt/Recline



Balance Spring and Tilt Spring Assist Assemblies For Tilt and Tilt/Recline

Item Number	Note	Part Number	Description	Quantity Per	
				Package	Assembly
1	A	1125750	NLA - Kit, Balance Spring Assembly	1	1
2			Locknut (1/4-20)	1	1
3			NLA - Guide, Rod	1	1
4			NLA - Spring, Compression (1 x 5-1/2 x 1/4")	1	1
5			NLA - Rod, Balance Spring	1	1
6			NLA - Plate, Slide Support	1	4
7			NLA - Screw, Socket Flat Head w/ Patch (#10-32 x 3/8")	1	4
8			Pin, Roll (1/8 x 3/4")	1	1
9			NLA - Bracket, Balance Spring, Black	1	1
10	B	1124673	NLA - Kit, Spring Assist Hardware 400 Lb. Limit Non-Elevate	1	1
11			NLA - Screw, Shoulder Hex Socket Head (5/16" x 1-3/4", 1/4-20)	1	2
12			Spring, Cylinder Assist	1	2
13			Locknut (1/4-20)	1	2
14			NLA - Spacer, Spring Assist (5/16 x 5/8 x 9/16")	1	2
NOTE: A - Includes items 2-9 B - Includes items 11-14					