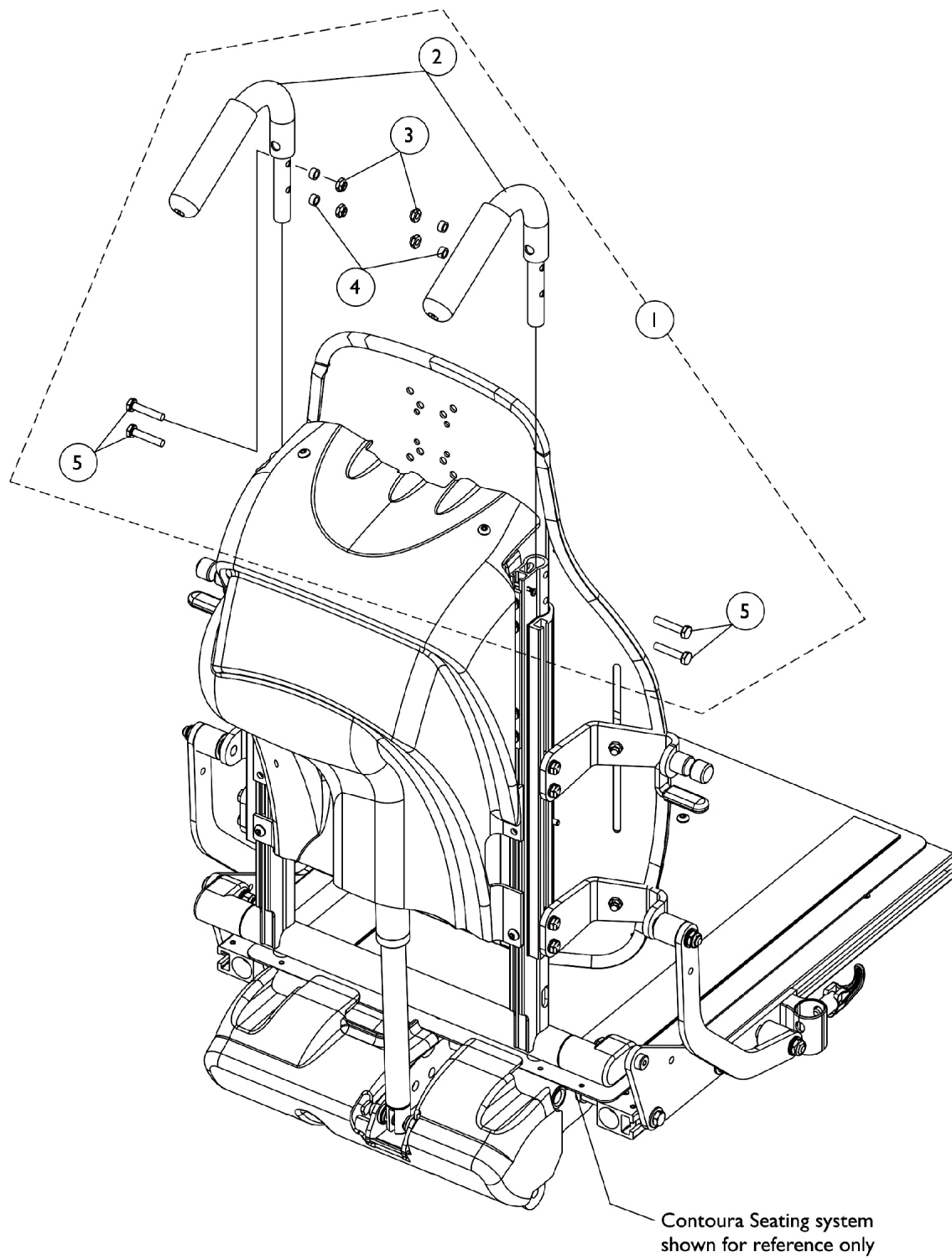


Back Cane Push Handle Attachments

Contoura Seating



Back Cane Push Handle Attachments Contoura Seating

Item Number	Note	Part Number	Description	Quantity Per	
				Package	Assembly
1	A	1125706	Kit, Back Cane Push Handle Attachments (Pair)	1	1
2			Attachment, Back Cane Push Handle	1	2
3			Locknut (1/4-20)	1	4
4			NLA - Spacer (1/4 x 3/8 x 3/16")	1	4
5			Screw, Hex Head (1/4-20 x 1-1/4")	1	4

NOTE: A - Includes items 2-5