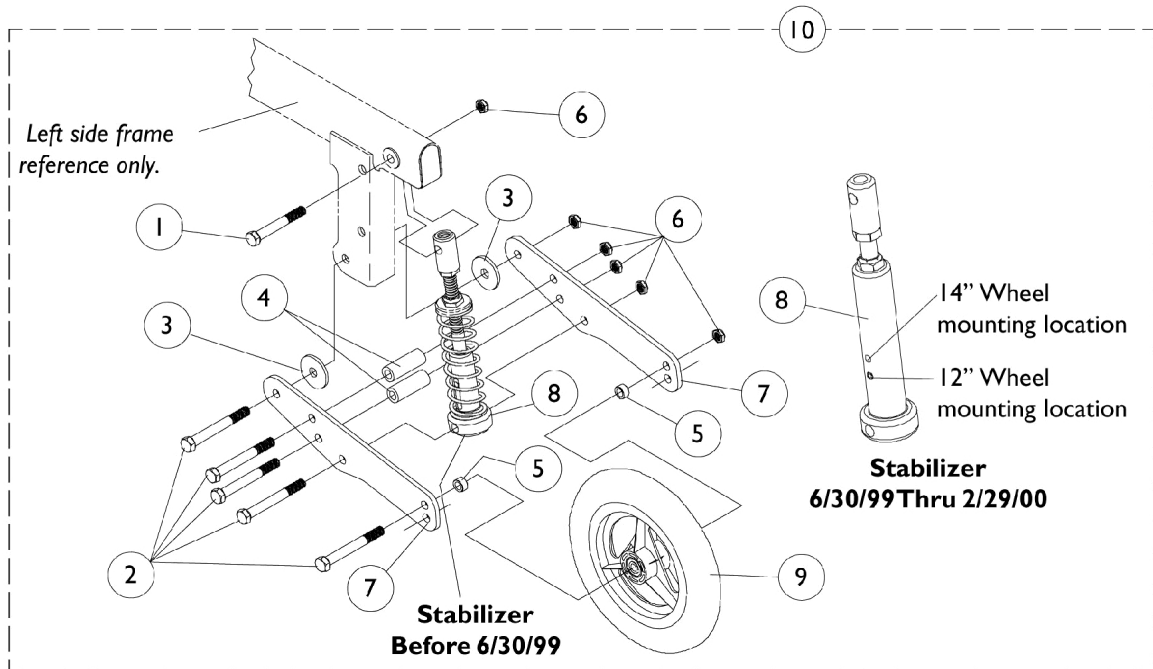


Front Stabilizer Assembly

Before 3/1/2000

NOTE: "New Style" front stabilizer can be assembled to chairs made before 3/1/2000. See conversion kit before 3/1/2000 on Front Stabilizer with Adjustable Flip-Up Footboard Conversion Kits page.



Front Stabilizer Assembly Before 3/1/2000

NOTE: "New Style" front stabilizer can be assembled to chairs made before 3/1/2000. See conversion kit before 3/1/2000 on Front Stabilizer with Adjustable Flip-Up Footboard Conversion Kits page.

Item Number	Note	Part Number	Description	Quantity Per	
				Package	Assembly
1		1028514	Screw, Hex Head (5/16-24 x 1-1/2")	1	1
2		1025764	Screw, Hex Head (5/16-24 x 2-1/4")	1	5
3		1071487-NLA	NLA - Washer, Nylon (23/64 x 1-15/64 x 7/64")	1	2
4		1071506-NLA	NLA - Spacer (5/16 x 9/16 x 1-33/64)	1	2
5		1026102	Spacer (5/16 x 15/32 x 1/4")	1	2
6		7930330-NLA	NLA - Locknut (5/16-24)	25	1
7		1071507-NLA	NLA - Plate, Suspension Arm, Black	1	2
8	G	1071528-NLA	NLA - Stabilizer Assembly	1	1
8	F	1090135-NLA	NLA - Stabilizer Assembly (12-1/2" Wheel)	1	1
9	C	1090396-NLA	NLA - Wheel, Urethane (6")	1	1
10	A,D	1071549-NLA	NLA - Hardware, Stabilizer Attaching	1	1
10	A,B,E	1074116-NLA	NLA - Hardware, Stabilizer Attaching, One Piece Footboard	1	1

NOTE: A - Item number 8 and 9 not included.
 B - Attaching hardware comes packaged with (5) locknuts, #7930330, used for one piece footboards.
 C - Wheel color changed from dark grey to light grey as of 7/28/99. Order in pairs to match for chairs manufactured before 7/28/99.
 D - Includes items 1-7.
 E - Includes items 2-7.
 F - 6/30/99 thru 2/29/00.
 G - Before 6/30/99.