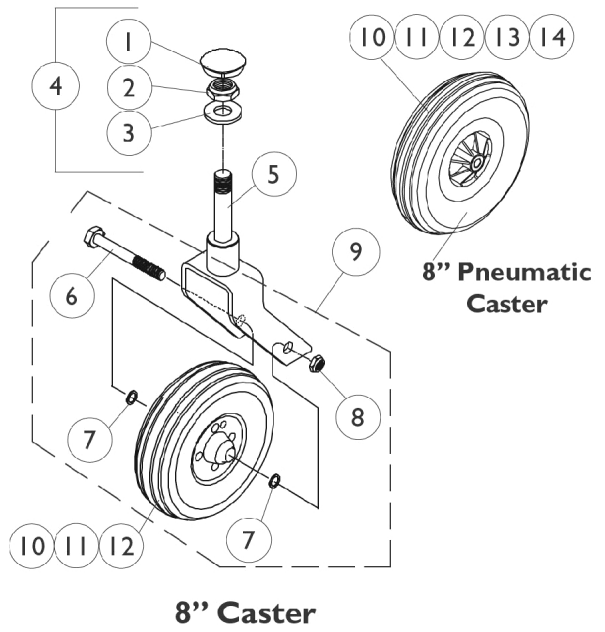
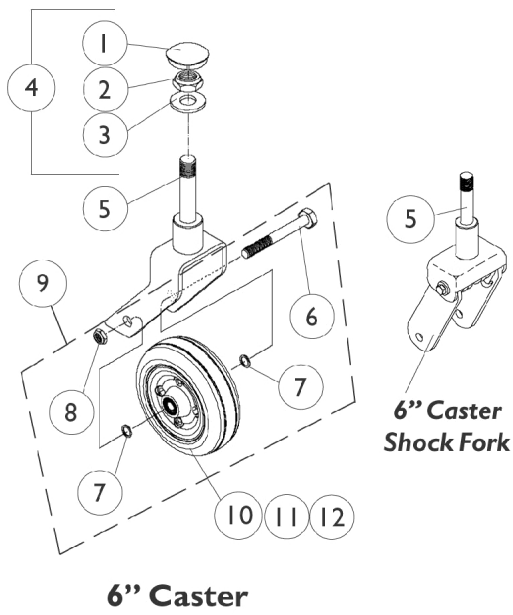


# Rear Casters and Hardware



## Rear Casters and Hardware

Item Number	Note	Part Number	Description	Quantity Per	
				Package	Assembly
1		1056739	Plug Button, Head Tube, Black	1	1
2		1028550	Locknut (5/8-18)	1	1
3		1041444	Washer, Nylon (5/8 x 1-5/16 x 1/8")	1	1
4	F	1057949	Hardware, Fork Stem	1	1
5	A	8881071460-NL A	NLA - Fork and Stem (6" Caster)	1	1
5	A	8881071600-NL A	NLA - Fork, Caster, Shock (6")	1	1
5	A,B	8881058562-NL A	NLA - Fork, Caster, Standard (8")	1	1
5	A,C	8881081119-NL A	NLA - Fork, Caster, Standard (8")	1	1
6	G	1025726	Screw, Hex Head (7/16-20 x 3-1/4")	1	1
6	H	1058744-NLA	NLA - Screw, Hex Head (7/16-20 x 3-1/2")	1	1
7		7930329	Washer, Steel (15/32 x 5/8 x 3/64")	25	1
8		7930331-NLA	NLA - Locknut (7/16-20")	25	1
9	E,G	1042489	Hardware, Caster Axle	1	2
9	E,H	1058890-NLA	NLA - Hardware, Caster, Shock Fork (Pair)	2	1
10	I	1072014-NLA	NLA - Wheel Assembly, Semi-Pneumatic, Urethane (6" x 2")	1	1
10	J	1115179	Wheel Assembly, Semi-Pneumatic, Urethane, Deep Profile, Grey Tire/Black Hub (6" x 2")	1	1
10	J	1122066	Wheel Assembly, Semi-Pneumatic, Urethane, Deep Profile, Grey Tire/Black Hub (6" x 2") (Pair)	2	1
10		1070811	Wheel Assembly, Semi-Pneumatic, Urethane, Light Grey (8" x 1-3/4")	1	1
10		1002002	Wheel Assembly w/ Bearings, Pneumatic (8" x 2")	1	1
11		1006049	Bearing (7/16")	1	2
12		1020592	Spacer, Bearing (7/16 x 5/8 x 1-3/4")	1	1
13		40176X034	Tire, Pneumatic (8" x 2")	1	1
14		1034942	Tube, Pneumatic Inner (8 x 2")	1	1
	D	40176X010-NLA	NLA - Pump, Tire	1	1

NOTE: A - Specify frame color when ordering. See page titled, "Frame Finishes, Touch-Up Paint and Upholstery Options."  
 B - Order caster forks in pairs for chairs manufactured before 7/1/98.  
 C - This fork must be used with chair serial numbers 98F39748 through 98F39877 only.  
 D - Not Shown.  
 E - Includes items 6, 7 and 8 to accommodate 1 side only  
 F - Includes items 1, 2 and 3.  
 G - Standard Forks 6" & 8".  
 H - Shock Fork 6".  
 I - Service part No Longer Available 8/15/03. Due to product improvement, order (pair) part number 1122066 dated after 8/14/03 so each side matches. The deep profile caster has 2 tread grooves w/ round corners instead of 4 tread grooves w/ square corners.  
 J - Service part after 8/14/03