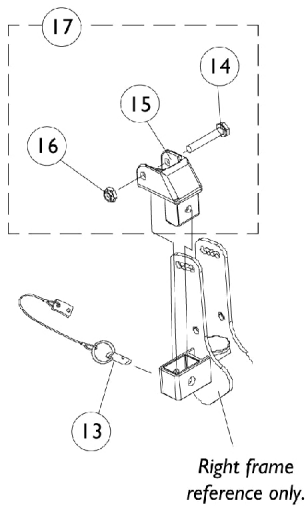
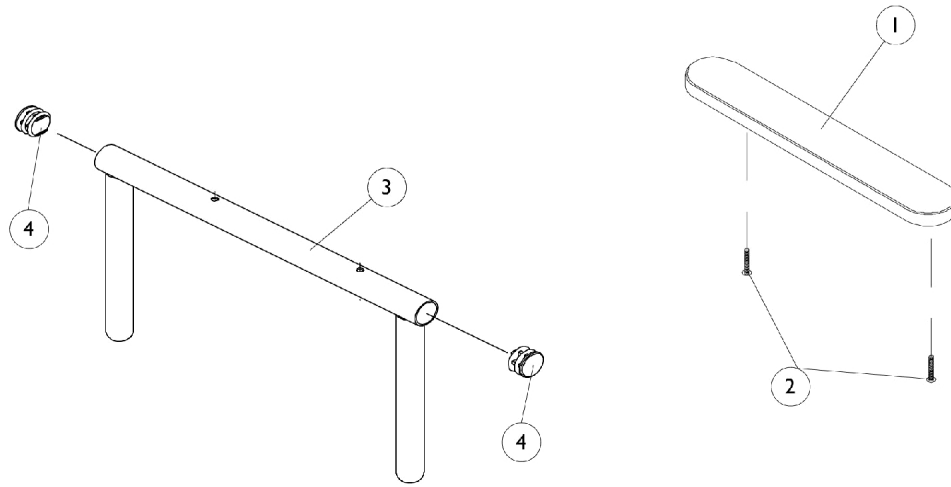
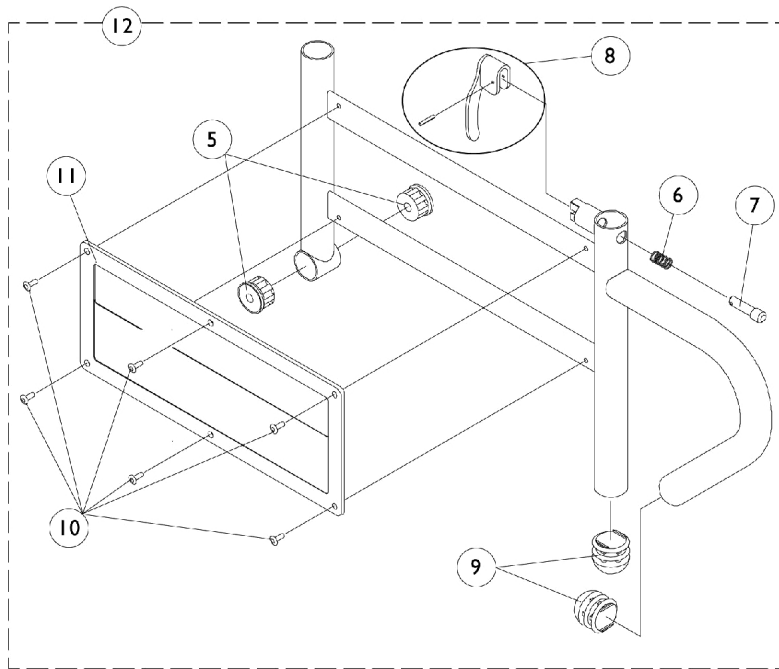


Arms, Adjustable Height Removable Sling Seat Only



*Right frame
reference only.*



Arms, Adjustable Height Removable Sling Seat Only

Item Number	Note	Part Number	Description	Quantity Per	
				Package	Assembly
1	A	8881015932-NL A	NLA - Pad, Arm, Vinyl, Full Length - Right (14" L x 2" W)	1	1
1	A	8881015933-NL A	NLA - Pad, Arm, Vinyl, Full Length - Left (14" L x 2" W)	1	1
1	C,F	1117328	Kit, Arm Pad w/ Screws, Full Length, Urethane Waterfall, Black (13" L x 2-5/8" W)	1	1
1		1110818	Kit, Arm Pad w/ Screws, Full Length, Urethane Waterfall, Black (13" L x 2-5/8" W) (Pair)	2	1
1	A	8881011811-NL A	NLA - Pad, Arm, Vinyl, Desk Length (9" L x 2" W)	1	1
1	C,F	1117327	Kit, Arm Pad w/ Screws, Desk Length, Urethane Waterfall, Black (9" L x 2-5/8" W)	1	1
1		1110817	Kit, Arm Pad w/ Screws, Desk Length, Urethane Waterfall, Black (9" L x 2-5/8" W) (Pair)	2	1
2		1055949	Package, Screw, Phillips Pan Head (#10-32 x 1-3/8")	2	1
2	D	1094270-NLA	NLA - Package, Screw, Phillips Pan Head (#10-32 x 1-1/4")	2	1
3		1071253	Arm Tube Assembly w/ Plug Buttons, Full Length, Black - Right/Left	1	1
3		1070859	Arm Tube Assembly w/ Plug Buttons, Desk Length, Black - Right/Left	1	1
4		1027095	Plug Button, Black (7/8")	1	2
5		1065936	Plug, Pivot	1	2
6		47471X074	Spring, Arm Lock	1	1
7		1028594	Pin, Arm Lock, Black	1	1
8		1090768	Kit, Lock Handle w/Rivets (Pair)	2	1
9		1067734	Plug Button, Black (5/8")	1	2
10		1028645	Rivet	1	6
11		1064130-NLA	NLA - Guard, Clothing	1	1
12	B	8881071554-NL A	NLA - Arm Base, Adjustable Height, Color - Right	1	1
12	B	8881071555-NL A	NLA - Arm Base, Adjustable Height, Color - Left	1	1
13		1068039	Pin, Pull	1	1
14		1019590	Screw, Socket Button Head (1/4-20 x 1-5/8")	1	1
15		1068025	Clevis, Pivot	1	1
16		7930323-NLA	NLA - Package, Locknut (1/4-20)	25	1
17	E	1090277-NLA	NLA - Hardware, Mounting, Swingaway Armrest	1	1

NOTE: A - Specify upholstery color when ordering. See page titled, "Frame Finishes, Touch-Up Paint and Upholstery."
 B - Specify frame color when ordering. See page titled, "Frame Finishes, Touch-Up Paint and Upholstery."
 C - As of 1/3/02, upholstered waterfall armpads were replaced with black urethane waterfall armpads. Order in pairs with screws for chairs manufactured before 1/3/02.
 D - For Black Urethane Waterfall Armpads only.
 E - Includes items 14-16.
 F - After 7/9/07 Invacare recommends ordering armpads in pairs to assure uniform appearance on chair