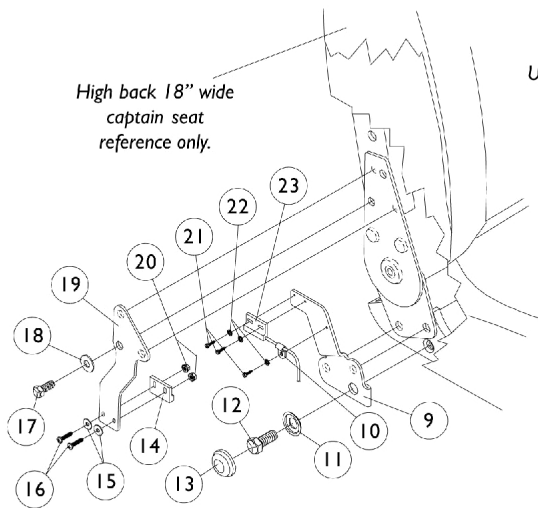
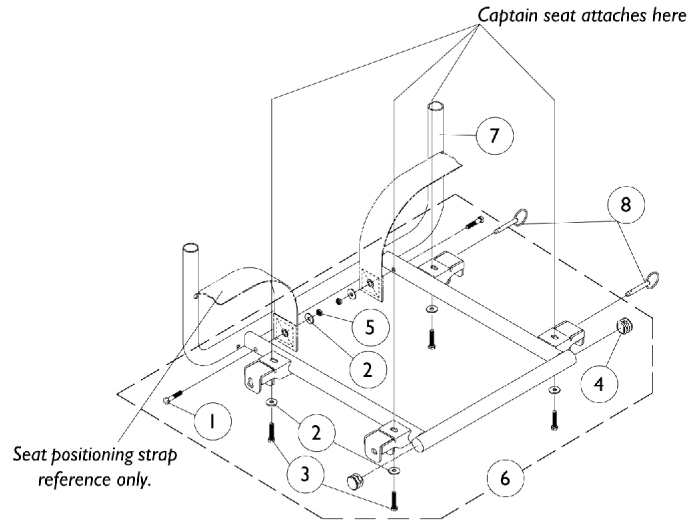
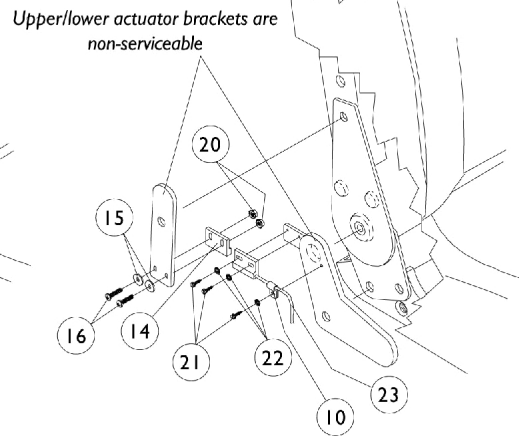


Captain Seat Frame and Actuator Hardware - Before 9/1/02

NOTE: Low Back (L.B.) Captain Seat description changed to Extended Back (E.B.) Captain Seat as of 10/02/00.



**Actuator Attaching Hardware
Before 8/16/99
(High Back 18" Wide Models Only)**



**Actuator Attaching Hardware
After 8/15/99
(High Back 18" Wide Models Only)**

Captain Seat Frame and Actuator Hardware - Before 9/1/02

NOTE: Low Back (L.B.) Captain Seat description changed to Extended Back (E.B.) Captain Seat as of 10/02/00.

| Item Number | Note | Part Number | Description | Quantity Per | |
|-------------|------|-------------|--|--------------|----------|
| | | | | Package | Assembly |
| 1 | | 1037610 | Screw, Hex Head (1/4-20 x 1-5/8") | 1 | 2 |
| 2 | | 1026900 | Washer (1/4 x 23/32 x 1/16") | 1 | 6 |
| 3 | C | 1071603-NLA | NLA - Screw, Hex Head w/ Patch (M6 x 1 x 20mm) | 1 | 4 |
| 3 | A,D | 1045267 | Screw, Hex Head w/ Patch (1/4-20 x 3/4") | 1 | 4 |
| 4 | | 1029501 | Plug Button, Black (1") | 1 | 2 |
| 5 | | 7930333 | Locknut (1/4-20) | 25 | 1 |
| 6 | C,E | 1074115-NLA | NLA - Hardware, Seat Mounting, Extended Backs (18" W) | 1 | 1 |
| 6 | A,D | 1079207-NLA | NLA - Hardware, Seat Mounting, Extended Backs and Forward Folding Seat (18" W) | 1 | 1 |
| 7 | | 1070751-NLA | NLA - Frame, Seat, Color | 1 | 1 |
| 8 | | 1071602-NLA | NLA - Pin, Anchor (Captain Seat) | 1 | 4 |
| 9 | | 1076392-NLA | NLA - Bracket, Lower Limit Switch Sensor, Black | 1 | 1 |
| 10 | | 1098624-NLA | NLA - Clamp, Cable | 1 | 1 |
| 11 | | 1016289 | Washer, Caplugs (15/32" I.D. x 1-3/32" O.D.) | 1 | 1 |
| 12 | | 1076568-NLA | NLA - Screw, Hex Head (7/16-20 x 1") | 1 | 1 |
| 13 | | 1016291 | Cap, Hub, Black | 1 | 1 |
| 14 | | 1024001 | Sensor, Actuator Switch | 1 | 1 |
| 15 | | 16348X007 | Rivet Washer (1/8 x 3/8 x 1/16") | 1 | 2 |
| 16 | | 1074128 | Screw, Phillips Pan Head (#4-40 x 7/16") | 1 | 2 |
| 17 | | 7930322-NLA | NLA - Package, Screw, Hex Head (M8 x 1.25 x 20mm) | 25 | 1 |
| 18 | | 7930358-NLA | NLA - Washer, Steel (5/16 x 3/4 x 1/16") | 25 | 1 |
| 19 | | 1076394 | Bracket, Upper Limit Sensor Switch | 1 | 1 |
| 20 | | P0870X000 | Nut, Hex Keps (#4-40) | 1 | 2 |
| 21 | | 1025116-NLA | NLA - Screw, Slotted Hex Washer Head Tap (#4-3/8") | 1 | 3 |
| 22 | | 1008525-NLA | NLA - Washer, Internal Tooth Lock (#4-40) | 1 | 3 |
| 23 | B | 1074983-NLA | NLA - Cable, Limit Switch Sensor | 1 | 1 |

NOTE: A - All vinyl extended back seats will use hardware noted for extended back models after 3/24/98.
 B - Item number 23 is not included with a high back seat assembly.
 C - Extended backs before 3/25/98 and All High Backs 18" Wide.
 D - Extended backs after 3/24/98 and Forward Folding Seat 18" Wide.
 E - Includes items 1-5.