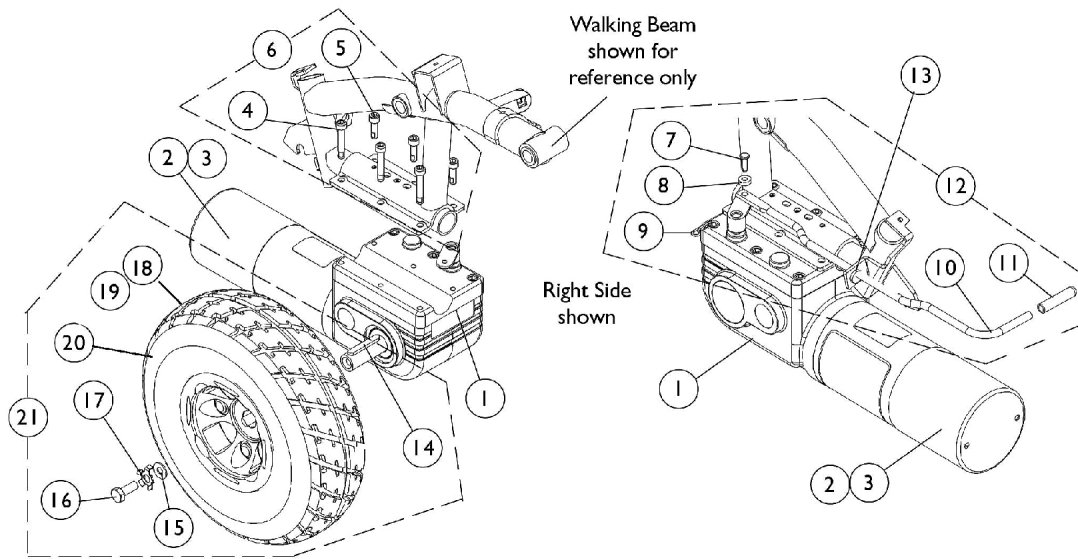


# Motor, Gearbox and Drive Wheel



## Motor, Gearbox and Drive Wheel

Item Number	Note	Part Number	Description	Quantity Per	
				Package	Assembly
1	A	1106490	Motor/Gearbox Assembly - Right	1	1
1	A	1106491	Motor/Gearbox Assembly - Left	1	1
1	B	1111705-NLA	NLA - Motor/Gearbox Assembly - Right	1	1
1	B	1111706-NLA	NLA - Motor/Gearbox Assembly - Left	1	1
1	F	1127394	Motor/Gearbox Assembly - Right	1	1
1	F	1127394E-NLA	WARR RPLMT - Motor/Gearbox Assembly - Right	1	1
1	F	1127395-NLA	NLA - Motor/Gearbox Assembly - Left	1	1
1	F	1127395E-NLA	NLA - WARR RPLMT - Motor/Gearbox Assembly - Left	1	1
2		1038361-NLA	NLA - Kit, Motor/Brake Covers with Screws	2	1
3		1123528-NLA	NLA - Kit, Motor Brush - Internal (Large)	2	1
6	C	1141284	Kit, Motor Mounting Hardware	1	1
4			NLA - Screw, Socket Head (M6 x 1 x 30mm)	1	3
5			Screw, Socket w/ Patch (M6 x 1 x 20mm)	1	3
7		1112249-NLA	NLA - Pin, Clevis, Black (1/4 x 37/64")	1	1
8		1026034-NLA	NLA - Washer, Nylon (3/16 x 7/16 x 1/8")	1	1
9		1115715-NLA	NLA - Pin, Bridge	1	1
10		1112251-NLA	NLA - Lever, Motor Release	1	1
11		1040060	Tip, Plastic, Black	1	1
12	D	1121978-NLA	NLA - Kit, Motor Lever and Mounting Hardware	1	1
13		1071562-NLA	NLA - Bushing, Snap	1	1
21	E,G	1102338	Kit, Drive Wheel with Mounting Hardware - Pneumatic (10" x 3")	1	1
14			Key (6mm x 6mm x 40mm)	1	1
15			Washer, Flat (21/64 x 53/64 x 7/64")	1	1
16			Screw (M8 x 1.25 x 20mm)	1	1
17			Kit, Locking Tab Washer w/ Instruction Sheet (Pair)	2	1
20			NLA - Wheel Assembly, Drive w/ Bearings, Pneumatic (10" x 3")	1	1
18		1109005	Tire, Pneumatic, Grey (10" x 3")	1	1
19		1109028-NLA	NLA - Tube, Inner (10 x 3")	1	1
21	E,H	1102339	Kit, Drive Wheel with Mounting Hardware - Flat Free (10 x 3")	1	1
14			Key (6mm x 6mm x 40mm)	1	1
15			Washer, Flat (21/64 x 53/64 x 7/64")	1	1
16			Screw (M8 x 1.25 x 20mm)	1	1
17			Kit, Locking Tab Washer w/ Instruction Sheet (Pair)	1	1
20			Drive Wheel Assembly, Flat Free Foam, Grey	1	1
18		1102342	Tire/Black Rim (10" x 3") Tire w/ Foam Fill Insert, Grey (10" x 3")	1	1

NOTE: A - Chairs built Before 6/27/03  
 B - Chairs built 6/27/03 thru 5/16/04  
 C - Includes items 4 and 5  
 D - Includes items 7-11  
 E - Includes items 14-20  
 F - Chairs built After 5/16/04  
 G - Part #1105042 Drive Wheel Assembly will already include the Pneumatic Tire and Inner Tube. Part #1105042 is sold in kit assembly part #1102338 only.  
 H - Part #1105043 Drive Wheel Assembly will already include the Tire w/ Foam Fill Insert.