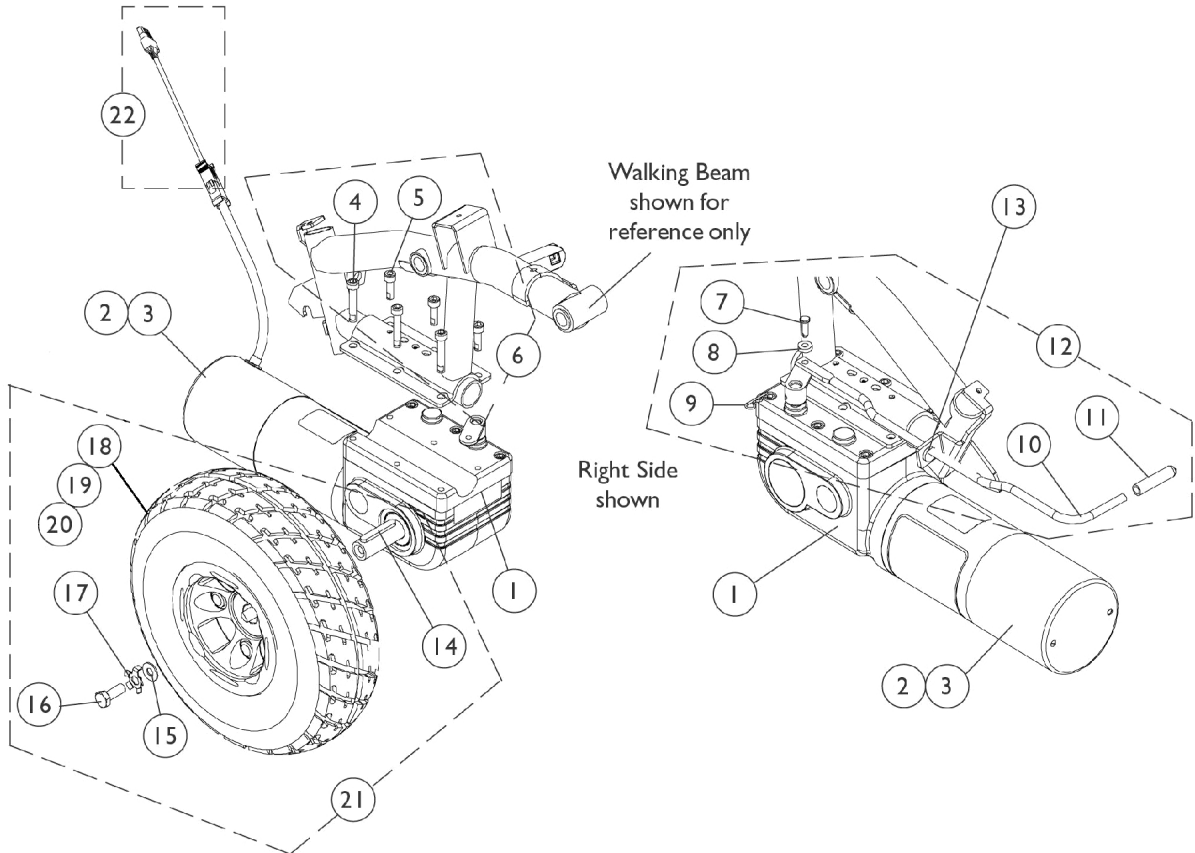


Motor, Gearbox, and Drive Wheel



Motor, Gearbox, and Drive Wheel

Item Number	Note	Part Number	Description	Quantity Per	
				Package	Assembly
1	A	1116395	Motor with Gearbox and Cable Extension - Right	1	1
1	A	1116396	Motor with Gearbox and Cable Extension - Left	1	1
1	E	1123954-NLA	NLA - Motor, High Speed w/ Gearbox and Cable Extension - Right	1	1
1	E	1123954E-NLA	NLA - WARR RPLMT - Motor, High Speed w/ Gearbox and Cable Extension - Right	1	1
1	E	1123955-NLA	NLA - Motor, High Speed w/ Gearbox and Cable Extension - Left	1	1
1	E	1123955E-NLA	NLA - WARR RPLMT - Motor, High Speed w/ Gearbox and Cable Extension - Left	1	1
2		1038361-NLA	NLA - Kit, Motor/Brake Covers with Screws	2	1
3		1123528-NLA	NLA - Kit, Motor Brush - Internal (Large)	2	1
6	B	1108562-NLA	NLA - Kit, Motor Mounting Hardware	1	1
4			NLA - Screw, Socket w/ Patch (M6 x 1 x 35mm)	1	3
5			Screw, Socket w/ Patch (M6 x 1 x 20mm)	1	3
7		1112249-NLA	NLA - Pin, Clevis, Black (1/4 x 37/64")	1	1
8		1026034-NLA	NLA - Washer, Nylon (3/16 x 7/16 x 1/8")	1	1
9		1115715-NLA	NLA - Pin, Bridge	1	1
10		1112251-NLA	NLA - Lever, Motor Release	1	1
11		1040060	Tip, Plastic, Black	1	1
12	C	1121978-NLA	NLA - Kit, Motor Lever and Mounting Hardware	1	1
13		1071562-NLA	NLA - Bushing, Snap	1	1
21	D,G	1102338	Kit, Drive Wheel with Mounting Hardware - Pneumatic (10 x 3")	1	1
14			Key (6mm x 6mm x 40mm)	1	1
15			Washer, Flat (21/64 x 53/64 x 7/64")	1	1
16			Screw (M8 x 1.25 x 20mm)	1	1
17			Kit, Locking Tab Washer w/ Instruction Sheet (Pair)	2	1
20			NLA - Wheel Assembly, Drive w/ Bearings, Pneumatic (10" x 3")	1	1
18		1109005	Tire, Pneumatic, Grey (10" x 3")	1	1
19		1109028-NLA	NLA - Tube, Inner (10 x 3")	1	1
21	D,H	1102339	Kit, Drive Wheel with Mounting Hardware - Flat Free (10 x 3")	1	1
14			Key (6mm x 6mm x 40mm)	1	1
15			Washer, Flat (21/64 x 53/64 x 7/64")	1	1
16			Screw (M8 x 1.25 x 20mm)	1	1
17			Kit, Locking Tab Washer w/ Instruction Sheet (Pair)	1	1
20			Drive Wheel Assembly, Flat Free Foam, Grey Tire/Black Rim (10" x 3")	1	1
18		1102342	Tire w/ Foam Fill Insert, Grey (10" x 3")	1	1
22	F	1143143-NLA	NLA - Harness, Motor Cable Extension	1	1

Motor, Gearbox, and Drive Wheel

NOTE: A - Chairs built Before 5/17/04. Includes item 22.
B - Includes items 4 and 5.
C - Includes items 7-11.
D - Includes items 14-17, 20.
E - Chairs built After 5/16/04. Includes item 22.
F - As of 5/15/06, harness part no. 1143143 replaced part nos. 1116389 & 1116390. The new harness is not Right/Left dependent and can be used for either side.
G - Part #1105042 Drive Wheel Assembly will already include the Pneumatic Tire and Inner Tube. Part #1105042 is sold in kit assembly part #1102338 only.
H - Part #1105043 Drive Wheel Assembly will already include the Tire w/ Foam Fill Insert.