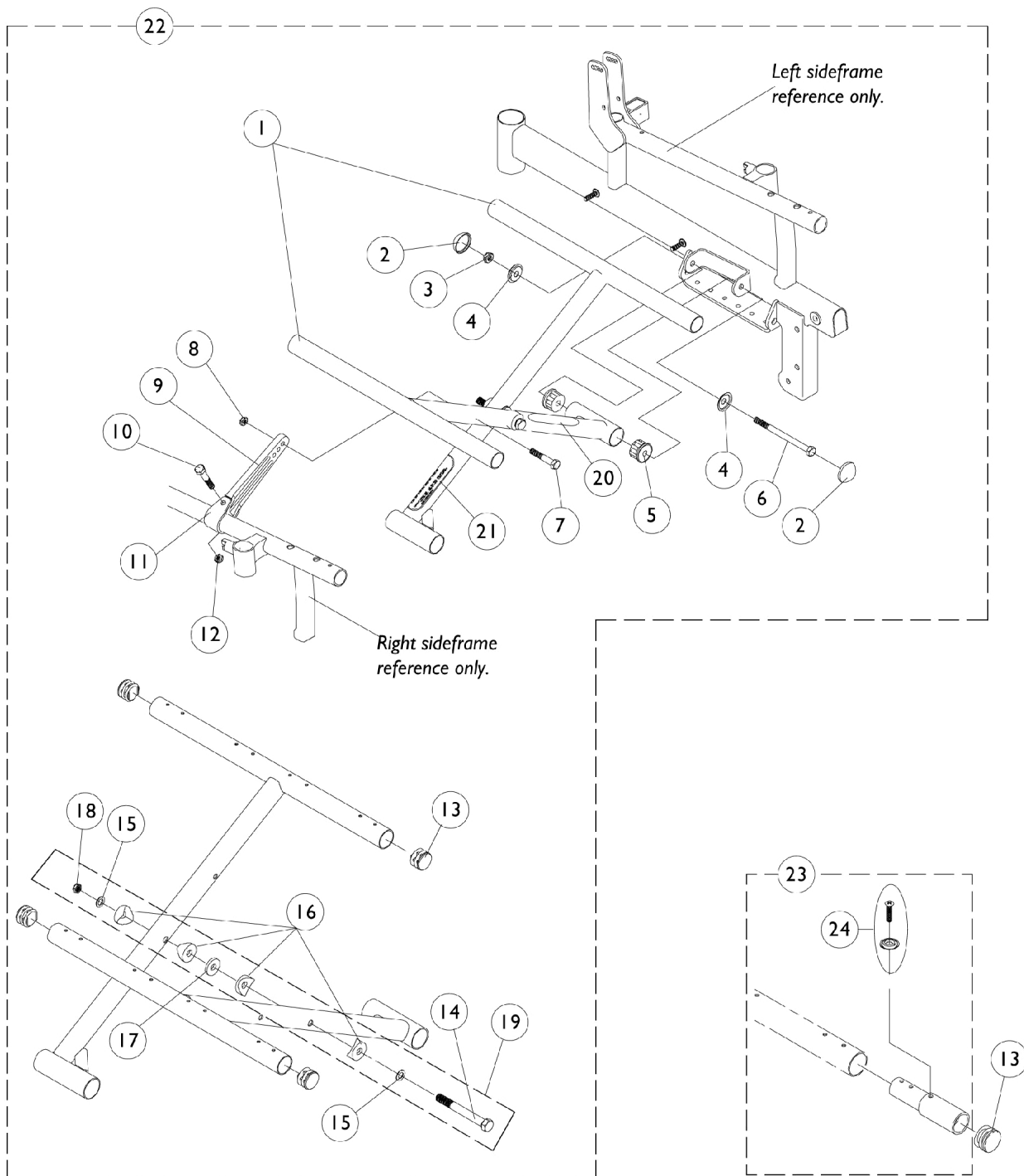


Crossbraces, Seat Extensions and Hardware

Sling Seat



Crossbraces, Seat Extensions and Hardware Sling Seat

Item Number	Note	Part Number	Description	Quantity Per	
				Package	Assembly
1	C	1071545-NLA	NLA - Crossbrace Assembly, Black (16" W)	1	2
1	C	1071546-NLA	NLA - Crossbrace Assembly, Black (18" W)	1	2
1	C	1071547-NLA	NLA - Crossbrace Assembly, Black (20" W)	1	2
2		1028835-NLA	NLA - Cap, Hub, Black	1	4
3		7930363-NLA	NLA - Package, Locknut (5/16"-24)	25	1
4		1028491-NLA	NLA - Washer, Caplugs (11/32" I.D. x 1" O.D.)	1	4
5		1056708-NLA	NLA - Plug, Pivot Tube	1	4
6		1038179-NLA	NLA - Screw, Hex Head (5/16-24 x 4-1/4")	1	2
2-6	A,B,I	1057830-NLA	NLA - Hardware, Crossbrace Pivot Tube	2	1
7		1024793-NLA	NLA - Screw, Hex Head (1/4-20 x 1-3/4")	1	2
8		1025736	Locknut (1/4-20)	1	4
9		1057382-NLA	NLA - Link, Pivot, Hemi, Black (16 - 18" W)	1	2
9		1057383-NLA	NLA - Link, Pivot, Hemi, Black (19 - 20" W)	1	2
10		1030949	Screw, Hex Head (1/4-20 x 1-1/2")	1	2
11		1057828-NLA	NLA - Strap, Pivot Link	1	2
12		7930323-NLA	NLA - Package, Locknut (1/4-20)	25	1
13		1029501	Plug Button, Black (1")	1	4
14		1025705-NLA	NLA - Screw, Hex Head (5/16-24 x 3-1/4")	1	2
15		1025704	Washer, Flat (5/16 x 5/8 x 1/16")	1	1
16		1016263	Spacer, Coved (3/4 x 1 x 1/2")	1	4
17		7930313	Package, Washer, Nylon (5/16 x 7/8 x 1/8")	25	1
18		7930330-NLA	NLA - Locknut (5/16-24)	25	1
19	D	1086180-NLA	NLA - Hardware, Crossbrace Center Bolt Attaching	1	1
20		1035900	Decal, Transportation	1	1
21		1119281-NLA	NLA - Plate, Name, Patent Numbers	1	1
22	E,F	1071503	Hardware, Crossbrace	1	1
23	G	1058616-NLA	NLA - Kit, Seat Extension - 1" (Pair)	2	1
23	H	1058617	Kit, Seat Extension - 2" (Pair)	2	1
24		1026298	Package, Screw with Washer (#10 x 7/8") (Pair)	2	1
24		1076284	Screw w/ Washer (#10 x 7/8")	1	2
24	A	40163X003-NLA	NLA - Screw, Phillips Pan Head (#10 X 5/8")	1	2

NOTE: A - Solid Folding Seats only.
 B - Includes items 2 through 6.
 C - Decals not included with crossbraces. See items 20 and 21.
 D - Includes items 14-18.
 E - Less items 1 and 9.
 F - Includes items 2-8, 10-18, 20 and 21.
 G - For 17" Depth.
 H - For 18" Depth.
 I - Pair.