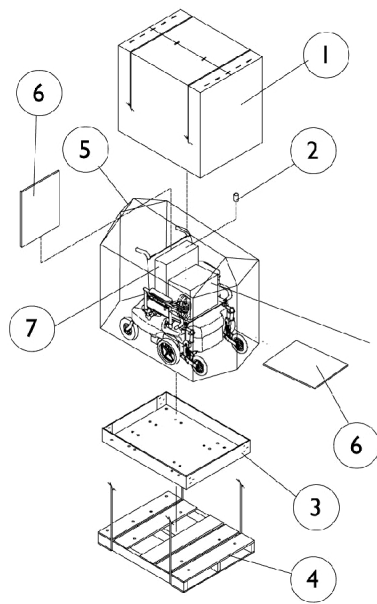


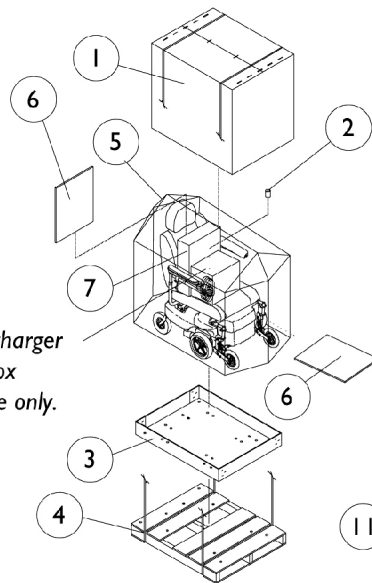
Packaging, Literature and Decals

Sling Seat with Shrouds, Captain Seat and Weight Shifting Tilt

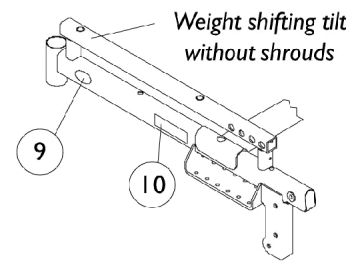


Sling Seat with shrouds

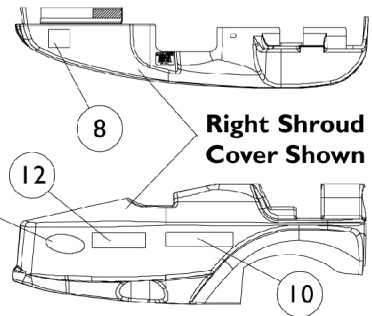
Battery charger
in box
reference only.



**Captain seat with shrouds
and Weight Shifting Tilt**



Right/Left Outside of Frame



**Right Shroud
Cover Shown**

Packaging, Literature and Decals

Sling Seat with Shrouds, Captain Seat and Weight Shifting Tilt

Item Number	Note	Part Number	Description	Quantity Per	
				Package	Assembly
1	G	1030364	Carton, Cover	1	1
1	H	1031682	Carton, Cover	1	1
2		1043198-NLA	NLA - Tube, Paper	1	1
3		1030362	Carton, Tray	1	1
4	F	See Note	See Footnote	1	1
5		1015592	Bag, Poly (72" L x 35" W x 19" D)	1	1
6		40131X161	Insert, Plain Pad	1	2
7		40131X011-NLA	NLA - Carton, Front Riggings	1	1
8		1076575-NLA	NLA - Decal, Caution, Limit Switch	1	1
9	A	1090146-NLA	NLA - Decal, Invacare 3-D Logo (1-19/32" L)	1	2
10	A,B,D	1095224-NLA	NLA - Decal, Model, Black - Ranger II	1	2
10	A,E	1095225-NLA	NLA - Decal, Model, White - Ranger II	1	2
11	A	1095489	Decal, Invacare 3-D Logo (2-1/2" L)	1	2
12		1097104-NLA	NLA - Decal - 250-S	1	2
	C	1074139-NLA	NLA - Decal, MWD	1	2
	C	1065145-NLA	NLA - Decal, Virtual Service	1	2
	C	1035900	Decal, Transportation	1	1
	C	1119281-NLA	NLA - Plate, Name, Patent Numbers	1	1
	C	1100911-NLA	NLA - Decal, Stabilizer Patent	1	1
	C	1043576-NLA	NLA - Service Manual, MKIV Electronics	1	1
	C,I	1095272-NLA	NLA - Instruction Manual, MKIV RII	1	1
	C	1080722-NLA	NLA - Owner's Manual - Ranger II and R2 jr.	1	1
	C	98007X005	Tie Wrap (11-1/2" L)	1	5

NOTE: A - Invacare logo added and model decals changed 1/11/00. When replacing side frames before 1/11/00, order decals in pairs to match.
 B - Used for chairs with frame colors 02P, 29P and 84P only.
 C - Not Shown.
 D - (Black) Weight Shifting Tilt After 2/29/00.
 E - (White) Weight Shifting Tilt After 2/29/00.
 F - Wooden skid not provided.
 G - Sling Seat, Low Back Captain Seat and Weight Shifting Tilt.
 H - High Back Captain Seat.
 I - Item is no longer available from the Invacare Service Parts Department. Refer to the Invacare Website under "Product Literature Search". Enter the part number in the "Keywords" field and download a free PDF version copy.

NOTE: When adjusting or replacing parts, please refer to your Owner's Manual for assistance.