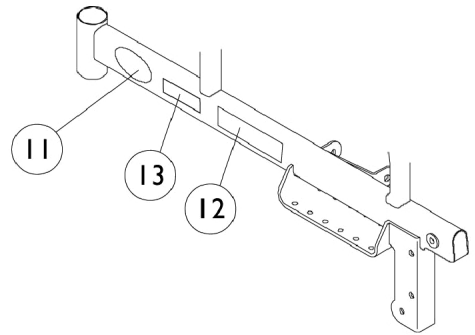
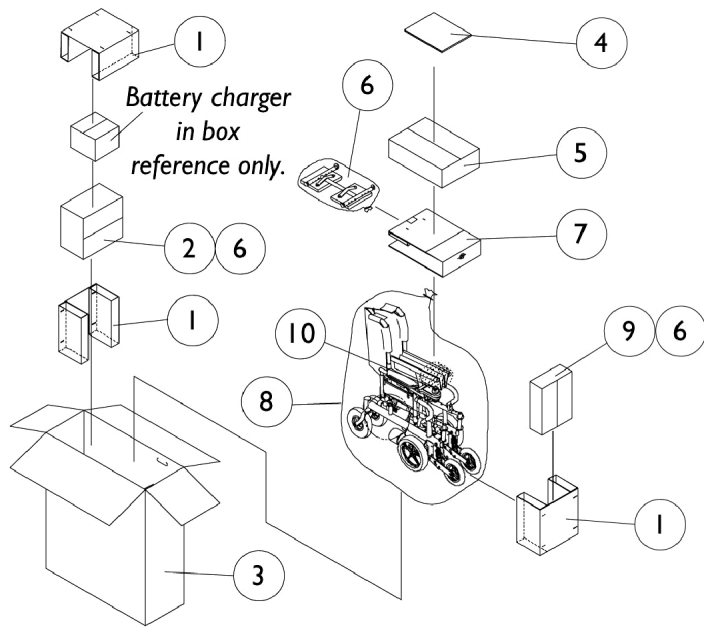


Packaging, Literature and Decals

Sling Seat without Shrouds



Right/Left Outside of Frame

Packaging, Literature and Decals Sling Seat without Shrouds

Item Number	Note	Part Number	Description	Quantity Per	
				Package	Assembly
1		1074356-NLA	NLA - Insert, Carton	1	3
2		1023167-NLA	NLA - Carton, Battery Boxes	1	1
3		1074355-NLA	NLA - Carton	1	1
4		40131X039-NLA	NLA - Insert, Carton	1	1
5		40131X011-NLA	NLA - Carton, Front Riggings	1	1
6		1021866-NLA	NLA - Bag, Poly (26" L x 15" W)	1	4
7		1023165-NLA	NLA - Insert, Carton	1	1
8		1015592	Bag, Poly (72" L x 35" W x 19" D)	1	1
9		40131X148-NLA	NLA - Carton, Hardware	1	1
10		1043198-NLA	NLA - Tube, Paper	1	1
11	A	1090146-NLA	NLA - Decal, Invacare 3-D Logo (1-19/32" L)	1	2
12	A,B,D	1095224-NLA	NLA - Decal, Model, Black - Ranger II	1	2
12	A,E	1095225-NLA	NLA - Decal, Model, White - Ranger II	1	2
13		1097104-NLA	NLA - Decal - 250-S	1	2
	C	1074139-NLA	NLA - Decal, MWD	1	2
	C	1065145-NLA	NLA - Decal, Virtual Service	1	2
	C	1035900	Decal, Transportation	1	1
	C	1119281-NLA	NLA - Plate, Name, Patent Numbers	1	1
	C	1100911-NLA	NLA - Decal, Stabilizer Patent	1	1
	C,F	1095272-NLA	NLA - Instruction Manual, MKIV RII	1	1
	C	1080722-NLA	NLA - Owner's Manual - Ranger II and R2 jr.	1	1

NOTE: A - Invacare logo added and model decals changed 1/11/00. When replacing side frames before 1/11/00 order decals in pairs to match.
 B - Used for chairs with frame colors 02P, 29P and 84P only.
 C - Not Shown.
 D - (Black) Weight Shifting Tilt After 2/29/00.
 E - (White) Weight Shifting Tilt After 2/29/00.
 F - Item is no longer available from the Invacare Service Parts Department. Refer to the Invacare Website under "Product Literature Search". Enter the part number in the "Keywords" field and download a free PDF version copy.

NOTE: When adjusting or replacing parts, please refer to your Owner's Manual for assistance.