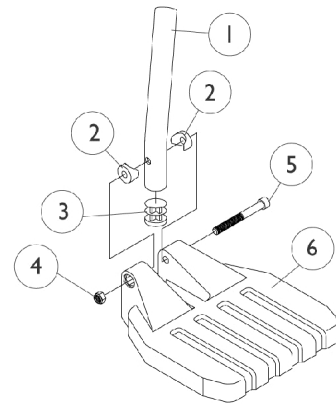
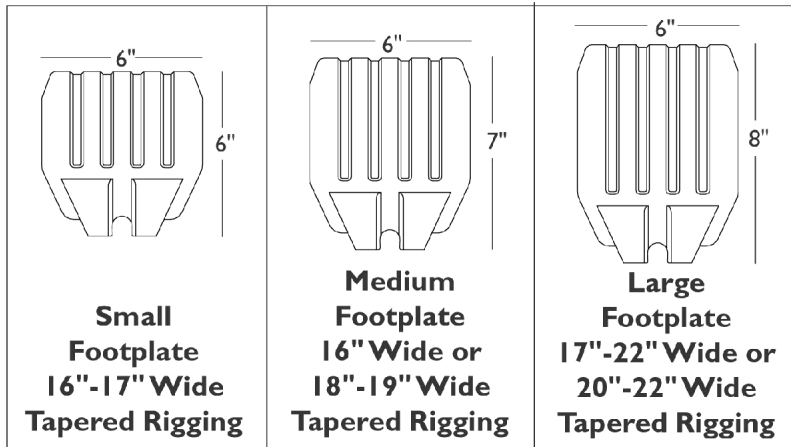


# Pivot Tube w/ Footplate Assemblies - 1651 Composite

NOTE: Heel Loops are not included. See Footrest and Legrest Accessories page.

NOTE: For complete pivot/slide tube and footplate assemblies, see Front Riggings Reference Charts



# Pivot Tube w/ Footplate Assemblies - 1651 Composite

NOTE: Heel Loops are not included. See Footrest and Legrest Accessories page.

NOTE: For complete pivot/slide tube and footplate assemblies, see Front Riggings Reference Charts

Item Number	Note	Part Number	Description	Quantity Per	
				Package	Assembly
1		1057852	Tube, Pivot/Slide, Curved End, Steel, Black (9-7/8")	1	1
1		1057854	Tube, Pivot/Slide, Curved End, 2" Longer, Steel, Black	1	1
1		1058418	Tube, Pivot/Slide, Curved End, 4" Longer, Steel, Black	1	1
2		1025457	Spacer, Coved (1/4 x 3/4 x 1 1/32")	1	2
3		1027097	Plug Button, Black (3/4")	1	1
4		7930323-NLA	NLA - Package, Locknut (1/4-20)	25	1
5		7930366	Package, Socket Head Screw (1/4-20 x 2-1/4")	25	1
6	A	1026879	Footplate, Composite, Small, Black (6" W x 6" L)	1	1
6	B	1026880	Footplate, Composite, Medium, Black (7" W x 6" L)	1	1
6	C	1026881	Footplate, Composite, Large, Black (8" W x 6" L)	1	1
NOTE: A - 16"-17" wide tapered B - 16" wide and 18"-19" wide tapered C - 17"-22" wide and 20"-22" wide tapered					