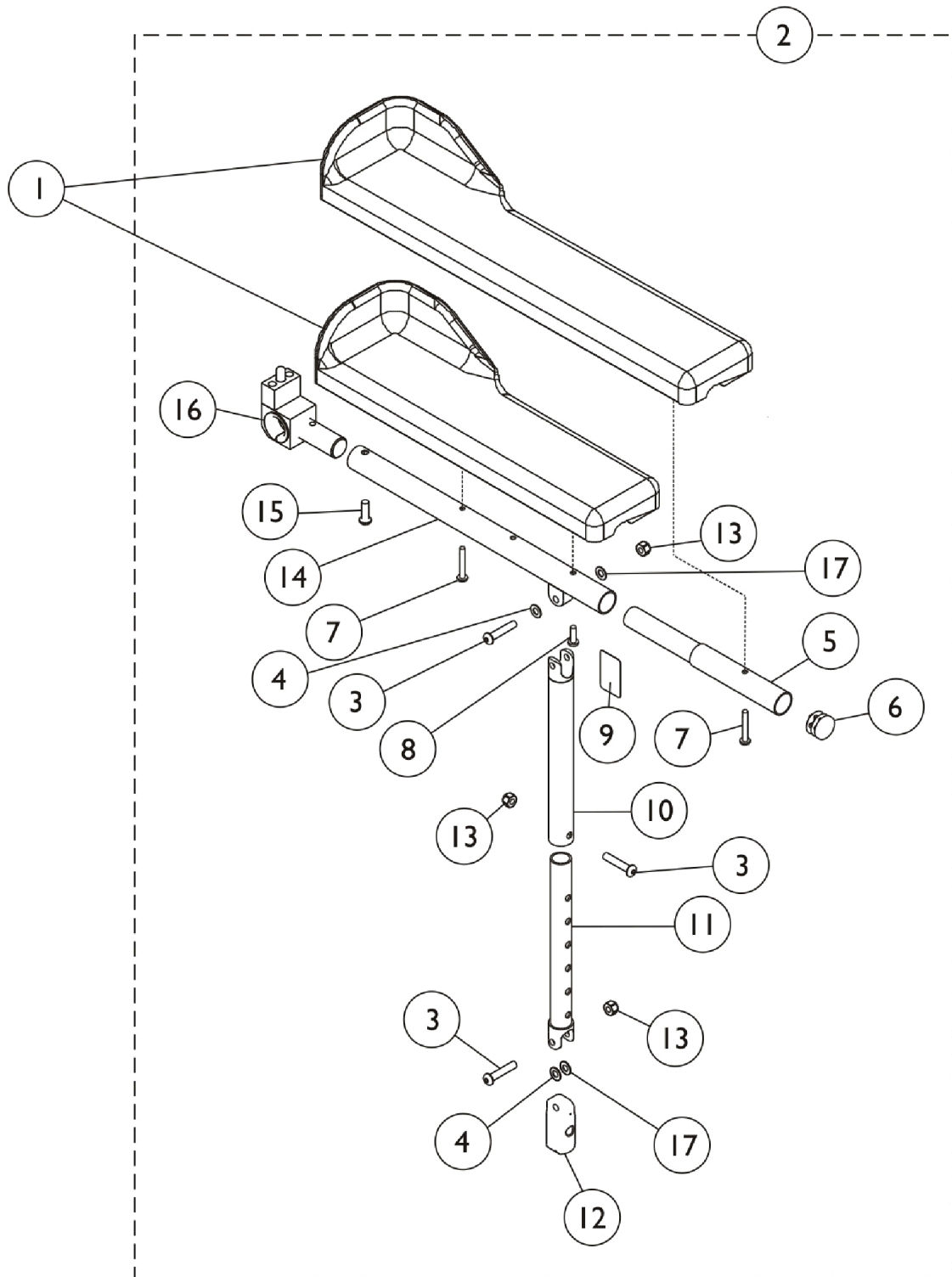


# Recline and Tilt/Recline Arms without Mounting Hardware



## Recline and Tilt/Recline Arms without Mounting Hardware

| Item Number | Note | Part Number | Description   | Quantity Per |          |
|-------------|------|-------------|---|--------------|----------|
|             |      |             |   | Package      | Assembly |
| 1           |      | 1082910     | Pad, Arm w/ Elbow Stop, Desk Length, Urethane, Black - Right (13" L x 3" W)               | 1            | 1        |
| 1           |      | 1082911     | Pad, Arm w/ Elbow Stop, Desk Length, Urethane, Black - Left (13" L x 3" W)                | 1            | 1        |
| 1           |      | 1090190     | Kit, Arm Pad w/ Screws and Elbow Stop, Desk Length, Urethane, Black (13" L x 3" W) (Pair) | 2            | 1        |
| 1           |      | 1082912     | Pad, Arm w/ Elbow Stop, Full Length, Urethane, Black - Right (17" L x 3" W)               | 1            | 1        |
| 1           |      | 1082913     | Pad, Arm w/ Elbow Stop, Full Length, Urethane, Black - Left (17" L x 3" W)                | 1            | 1        |
| 1           |      | 1090191     | Kit, Arm Pad w/ Screws and Elbow Stop, Full Length, Urethane, Black (17" L x 3" W) (Pair) | 2            | 1        |
| 2           | A,F  | 1086992     | Arm Assembly w/o Arm Pad, Desk Length, Black - Right                                      | 1            | 1        |
| 2           | A,F  | 1086993     | Arm Assembly w/o Arm Pad, Desk Length, Black - Left                                       | 1            | 1        |
| 2           | B,F  | 1087012     | Arm Assembly w/o Arm Pad, Full Length, Black - Right                                      | 1            | 1        |
| 2           | B,F  | 1087013     | Arm Assembly w/o Arm Pad, Full Length, Black - Left                                       | 1            | 1        |
| 3           |      | 1008432     | Screw, Socket Button Head (1/4-20 x 1-1/4")   | 1            | 3        |
| 4           |      | 1026103     | Washer, Nylon (1/4 x 1/2 x 1/32")   | 1            | 2        |
| 5           |      | 0028202     | Tube, Extension, Full Length  | 1            | 1        |
| 6           |      | 1027095     | Plug Button, Black (7/8")   | 1            | 1        |
| 7           |      | 1107155     | Screw, Phillips Pan Head Tap (#10-32 x 1-1/4")  | 1            | 2        |
| 8           | C    | 1028755     | Screw, Phillips Pan Head (#10-32 x 5/8")  | 1            | 1        |
| 8           | D    | 1107155     | Screw, Phillips Pan Head Tap (#10-32 x 1-1/4")  | 1            | 1        |
| 9           |      | 1079203     | Decal, Warning Pinch Point  | 1            | 1        |
| 10          |      | 1115392     | Tube, Arm, Support, Black   | 1            | 1        |
| 11          |      | 1115393-NLA | NLA - Tube, Slide, Adjustable, Black  | 1            | 1        |
| 12          |      | 1082842     | Plug, Arm, Black  | 1            | 1        |
| 13          |      | 7930333     | Locknut (1/4-20)  | 25           | 3        |
| 14          |      | 1082927     | Tube, Arm, Black  | 1            | 1        |
| 15          |      | 1091870     | Screw, Socket Button Head w/ Patch (1/4-20 x 3/4")  | 1            | 1        |
| 16          | G    | 1095437     | Arm Pivot Assembly  | 1            | 1        |
| 17          |      | 1165484-NLA | NLA - Washer, Nylon (1/4 x 1/2 x 1/32")   | 1            | 2        |
|             | E    | 1119268-NLA | NLA - Kit, Slide Tube w/ Arm Support (Pair)   | 2            | 1        |

NOTE: A - Includes Items 3,4,6, and 9-17.  
 B - Includes Items 3-6 and 8-17.  
 C - Used for full length arms only  
 D - Used for desk length arms only  
 E - Not Shown. Assembly includes 2 ea. of item numbers 9, 10 and 11  
 F - When placing an order for item 2, you must specify as a note "For Tarsys 2GTR seating" or "For Formula TRE seating".  
 G - The Arm Pivot Assembly Pin faces down for Tarsys 2GTR and faces up for the Formula TRE powered seating