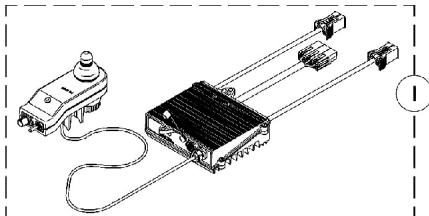
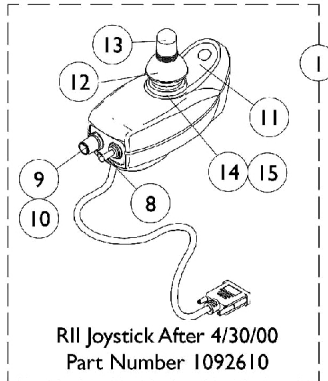


MKIV RII Joystick, Controller and Hardware

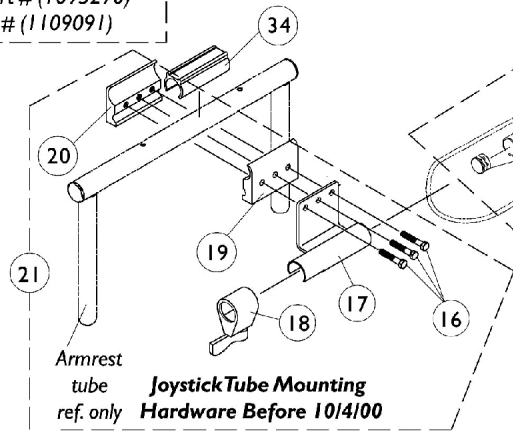
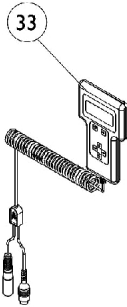


RII Joystick/L.P. Controller Before 5/1/00
Part Number 1080953NLA

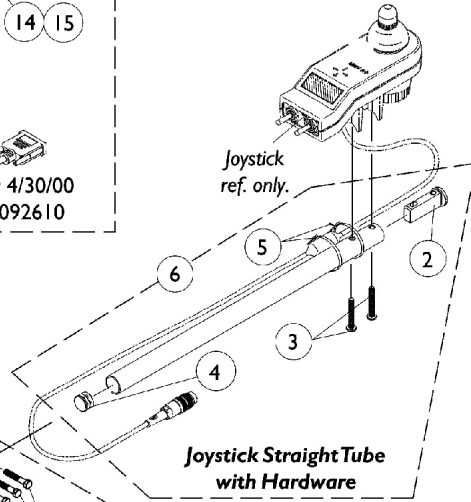
⊕ For chairs made before 5/1/00,
the following must be ordered:
RII Joystick part # (1092610)
RII L.P. Retro Controller part # (1095270)
Remote Programmer part # (1109091)



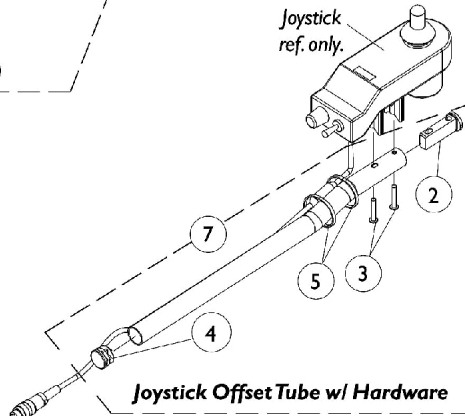
RII Joystick After 4/30/00
Part Number 1092610



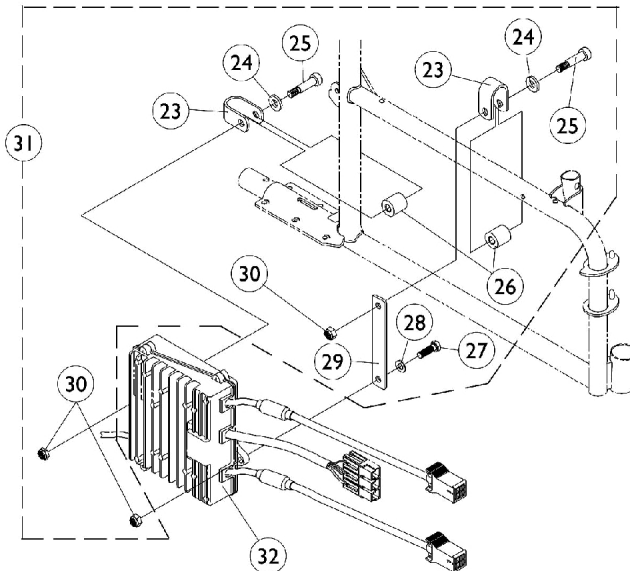
Joystick Tube Mounting
Hardware Before 10/4/00



Joystick Straight Tube
with Hardware



Joystick Offset Tube w/ Hardware



Joystick Tube Fixed Height
Clamp Assembly
After 10/3/00

MKIV RII Joystick, Controller and Hardware

Item Number	Note	Part Number	Description	Quantity Per	
				Package	Assembly
1	B,F	1080953-NLA	NLA - Joystick/Controller, MKIV RII L.P	1	1
1	A,G	1092610-NLA	NLA - Joystick, RII	1	1
2		1093063	Spacer, Joystick Tube, Black	1	1
3		1025714	Screw, Phillips Pan Head (#10-32 x 1-1/8")	1	1
4		1027095	Plug Button, Black (7/8")	1	1
5		1095502-NLA	NLA - Package, Tie Wrap (11-1/2" L)	10	2
6	I	1043568	Kit, Straight Joystick Tube with Hardware	1	1
7	D,D1,P	1093069	Kit, 1/2" Offset Joystick Tube with Hardware	1	1
8		1010042-NLA	NLA - Switch, Toggle SPDT	1	1
9		1025516-NLA	NLA - Knob, Speed Control	1	1
10		1040225-NLA	NLA - Potentiometer, Speed	1	1
11	F	1069204	Decal, Joystick Overlay - RII	1	1
12		1040218	Skirt, Joystick Rubber, Black	1	1
13		1040217	Knob, Joystick Rubber, Black	1	1
14		1036764-NLA	NLA - Inductive, Joystick	1	1
15		50000X364-NLA	NLA - Boot, Joystick	1	1
16		7930349-NLA	NLA - Screw, Hex Head (1/4-20 x 1-1/8")	1	1
17		1049582-NLA	NLA - Bracket, Joystick Mounting, Black	1	1
18		1027274	Adjustment Lock Assemnbly, Black	1	1
19		1027266	Half Clamp, Non-Threaded Holes	1	1
20		1027267-NLA	NLA - Half Clamp, Threaded Holes	1	1
21	I	1049591-NLA	NLA - Hardware, Joystick Tube Mounting	1	1
22	D,D1,J, P	1093071	Clamp, Fixed Height Joystick Tube	1	1
23		1069658-NLA	NLA - Bracket, Pivot, Black	1	2
24		1069548-NLA	NLA - Washer, Steel (7/16 x 13/16 x 1/8")	1	2
25		1062604	Screw, Shoulder Hex Socket (3/8 x 1-1/4", 5/16-18)	1	2
26		1069659-NLA	NLA - Bushing	1	1
27		1050161-NLA	NLA - Screw, Hex Head w/ Patch (5/16-18 x 1")	1	1
28		1025704	Washer, Flat (5/16 x 5/8 x 1/16")	1	1
29		1069657-NLA	NLA - Strap, Black	1	1
30		1028769	Locknut (5/16-18)	1	3
31		1069671-NLA	NLA - Hardware, P7E Controller Mounting	1	1
32	A,G	1095270-NLA	NLA - Controller, MKIV RII, Retro L.P.	1	1
33	C	1109091-NLA	NLA - Programmer, Remote	1	1
34	N	1061983-NLA	NLA - Spacer, Plastic Snap Clamp (3/4" I.D. x 2-1/2")	1	1
	K,O	1064404-NLA	NLA - Virtual Service Modem Kit	1	1
	L,O	1091631-NLA	NLA - Virtual Service Software Kit	1	1
	O	1095204-NLA	NLA - Cable, Virtual Service, Charger/Modem	1	1
	O	1091980-NLA	NLA - Disk, 3.5 H.D. Floppy with V.S. Software	1	1
	O	1091637-NLA	NLA - Adaptor, Null Modem	1	1
	O	1091636-NLA	NLA - Service Manual - V.S. Software Kit	1	1
	O	1095204-NLA	NLA - Cable, Virtual Service, Charger/Modem	1	1
	M,O	1046117-NLA	NLA - Printer and Interface	1	1
	O	1026572-NLA	NLA - Paper, Printer	1	1

MKIV RII Joystick, Controller and Hardware

Item Number	Note	Part Number	Description	Quantity Per	
				Package	Assembly
	O	1027280-NLA	NLA - Harness, Printer Wiring	1	1
	O	1058491-NLA	NLA - Connector Boot, Wire	1	1
<p>NOTE: A - After 4/30/00 retro L.P. controller part # (1095270) is sold separately from the joystick. B - Joystick and retro L.P. controller after 4/30/00 serve as direct replacements for chairs made before 5/1/00. C - Remote programmer part #(1109091) with the dual connectors (3-Pin and 5-Pin) is the only programmer functionable with the new RII joystick part #(1092610). D - The joystick straight tube changed to an offset joystick tube on 10/4/00. The joystick tube mounting hardware also changed to a new fixed height clamp assembly to allow an individual to use an D1 - adjustment lever to securely hold the joystick tube in place. The fixed height joystick tube clamp can be used as a direct replacement in the field for the joystick tube mounting hardware part number 1049591 manufactured for chairs before 10/4/00. F - Before 5/1/00 G - After 4/30/00 I - After 10/3/00 J - Includes items 16-20 K - Part number 1095204 is available for individual sale L - Part numbers 1091980, 1091637, 1091636 and 1095204 are available for individual sale. M - Part numbers 1026572 and 1027280 are available for individual sale. N - Spacer allows the half clamps to grip securely around the 3/4" arm tube O - Not Shown P - After 10/3/00</p>					