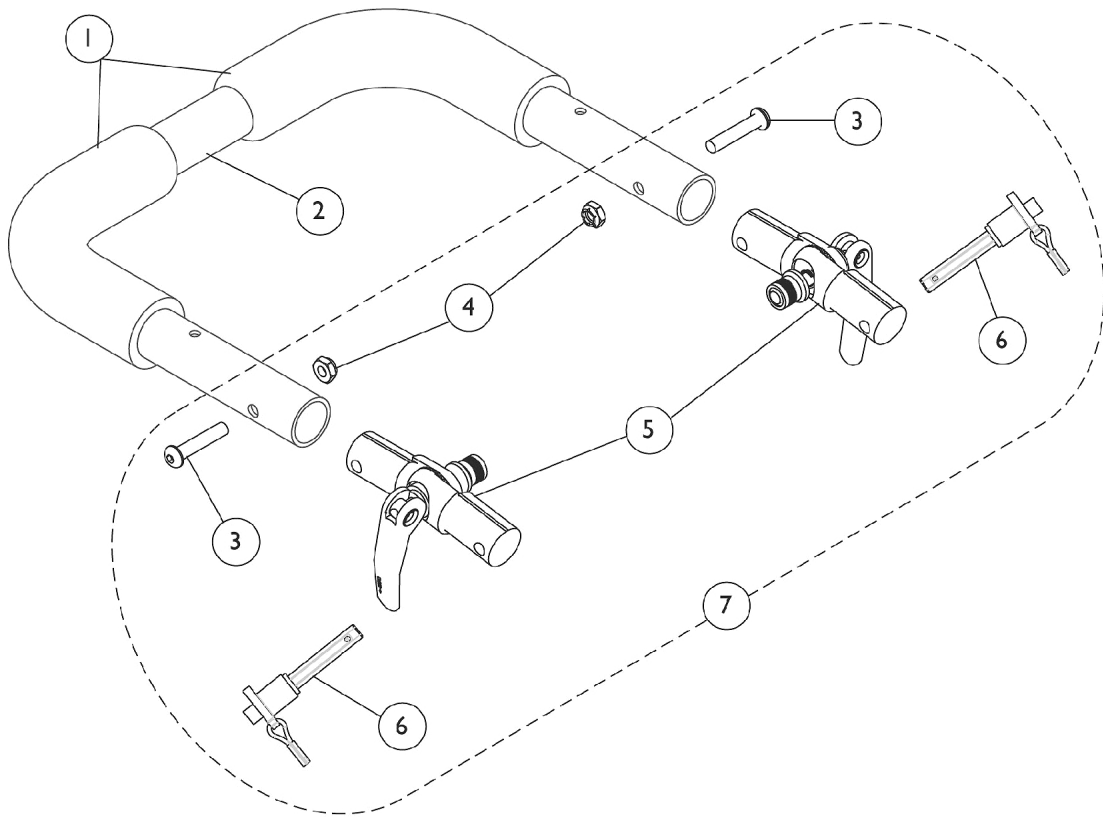


Adjustable Angle Stroller Handle



Adjustable Angle Stroller Handle

Item Number	Note	Part Number	Description	Quantity Per	
				Package	Assembly
1		1133698	Grip, Foam Hand (9" L)	1	2
2		See Chart	#2 Push Handle with Grip (12-17" Wide)	1	1
2		See Chart	#2 Push Handle with Grip (18-22" Wide)	1	1
3		1055309	Screw, Socket Button Head (1/4-28 x 1-1/4")	1	2
4		1025765	Locknut (1/4-28)	1	4
5		1112539	Folding Hinge Assembly	1	2
6		1045470	Pin, Quick Release with Lanyard	1	2
7	A	1114689-NLA	NLA - Hardware, Stroller Handle Hinge (1 Pair)	2	1

NOTE: A - Includes items 3-6

#2 Push Handle with Grip (12-17" Wide)

12" Wide	13" Wide	14" Wide	15" Wide	16" Wide	17" Wide
1082620-NLA	1082621-NLA	1082622-NLA	1082623	1082624	1086406

#2 Push Handle with Grip (18-22" Wide)

18" Wide	19" Wide	20" Wide	21" Wide	22" Wide
1086407	1086408	1086409-NLA	1086410	1086411