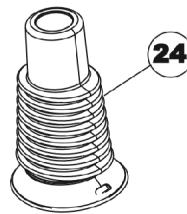
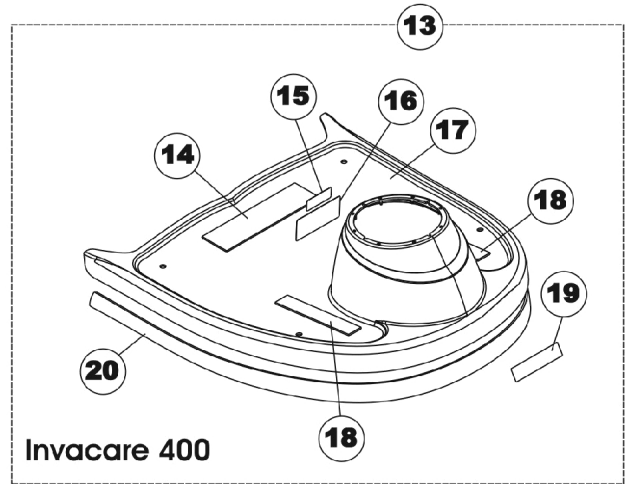
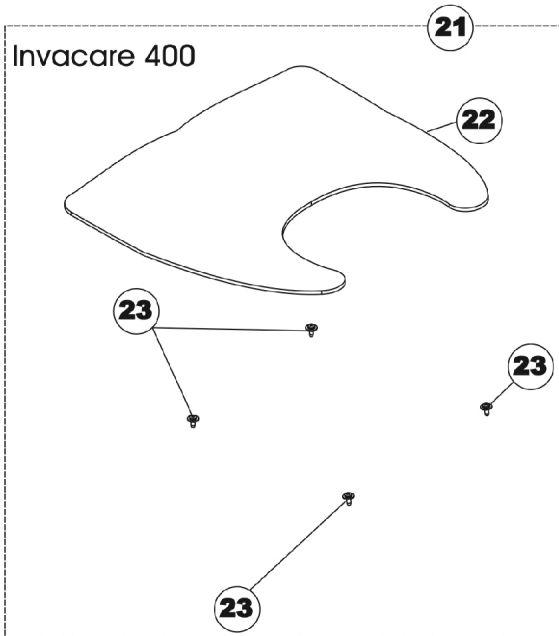
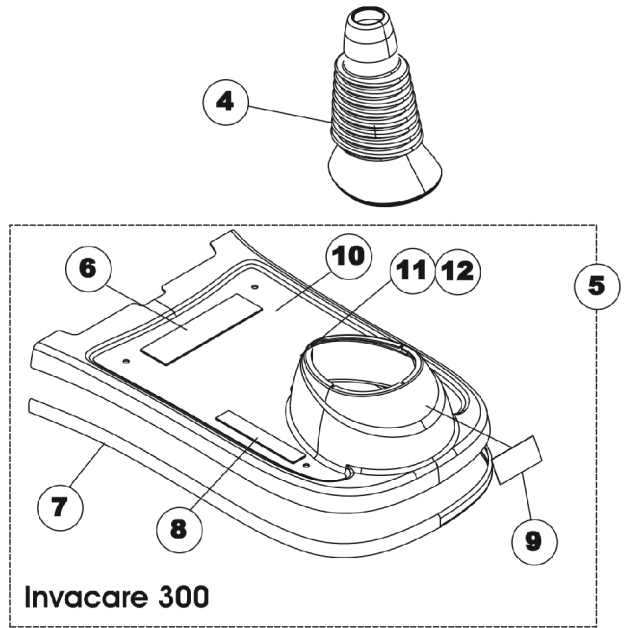
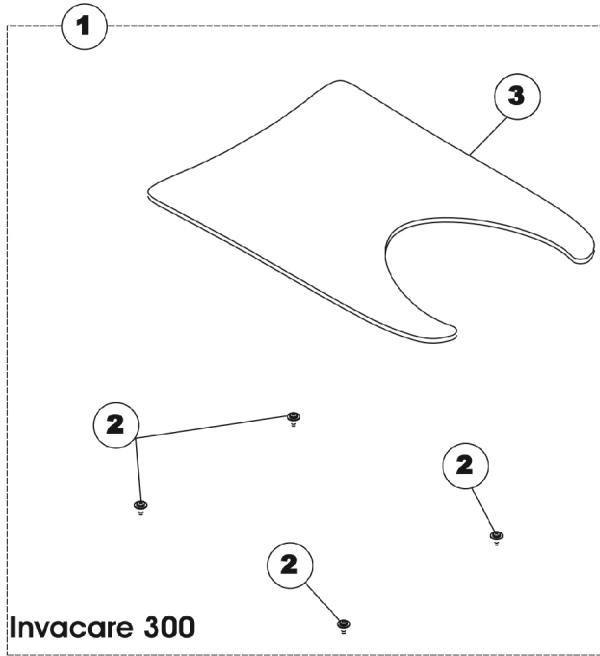


Shroud - Footboard, Bellow, and Carpet



Shroud - Footboard, Bellow, and Carpet

Item Number	Note	Part Number	Description	Quantity Per	
				Package	Assembly
1	C	1120474-NLA	NLA - Kit, Footboard Carpet with Hardware (Invacare 300 Scooter)	1	1
2			Screw, Phillips Pan Head Tap (#10-32 x 1/2")	1	4
3			Carpet, Footboard (Invacare 300 Scooter)	1	1
4		1120473-NLA	NLA - Bellow, Invacare 300 Scooter	1	1
5	B	1120447-NLA	NLA - Kit, Footboard Assembly - Candy Red Pearl (Invacare 300 Scooter)	1	1
6			NLA - Fastener, Hook (2" W x 8" L)	1	1
7			NLA - Molding, Shroud - Invacare 300 Scooter	1	1
8			NLA - Fastener, Hook with Adhesive (1" W x 6" L)	1	2
9			NLA - Decal - Scooter	1	1
10			NLA - Footboard Shroud, Candy Red Pearl - Invacare 300 Scooter	1	1
11			NLA - Decal, Warning	1	1
12			NLA - Decal, Weight Capacity 300 Lbs - Invacare 300 Scooter	1	1
4		1120473-NLA	NLA - Bellow, Invacare 300 Scooter	1	1
5	B	1120457-NLA	NLA - Kit, Footboard Assembly - Deep Blue Pearl (Invacare 300 Scooter)	1	1
6			NLA - Fastener, Hook (2" W x 8" L)	1	1
7			NLA - Molding, Shroud - Invacare 300 Scooter	1	1
8			NLA - Fastener, Hook with Adhesive (1" W x 6" L)	1	2
9			NLA - Decal - Scooter	1	1
10			NLA - Footboard Shroud, Deep Blue Pearl - Invacare 300 Scooter	1	1
11			NLA - Decal, Warning	1	1
12			NLA - Decal, Weight Capacity 300 Lbs - Invacare 300 Scooter	1	1
13	D	1125348-NLA	NLA - Kit, Footboard Assembly - Candy Red Pearl (Invacare 400 Scooter)	1	1
14			NLA - Fastener, Hook (2" W x 8" L)	1	1
15			NLA - Decal, Weight Capacity 400 Lbs - Invacare 400 Scooter	1	1
16			NLA - Decal, Warning	1	1
17			NLA - Footboard Shroud, Candy Red Pearl - Invacare 400 Scooter	1	1
18			NLA - Fastener, Hook with Adhesive (1" W x 6" L)	1	2
19			NLA - Decal - Scooter	1	1
20			Molding, Shroud - Invacare 400 Scooter	1	1
13	D	1125349-NLA	NLA - Kit, Footboard Assembly - Deep Blue Pearl (Invacare 400 Scooter)	1	1
14			NLA - Fastener, Hook (2" W x 8" L)	1	1
15			NLA - Decal, Weight Capacity 400 Lbs - Invacare 400 Scooter	1	1
16			NLA - Decal, Warning	1	1
17			NLA - Footboard Shroud, Deep Blue Pearl - Invacare 400 Scooter	1	1
18			NLA - Fastener, Hook with Adhesive (1" W x 6" L)	1	2
19			NLA - Decal - Scooter	1	1
20			Molding, Shroud - Invacare 400 Scooter	1	1

Shroud - Footboard, Bellow, and Carpet

Item Number	Note	Part Number	Description	Quantity Per	
				Package	Assembly
21	A,E	1125354-NLA	NLA - Kit, Footboard Carpet with Hardware (Invacare 400 Scooter)	1	1
22			NLA - Carpet, Footboard (Invacare 400 Scooter)	1	1
23			Screw, Phillips Pan Head Tap (#10-32 x 1/2")	1	4
24		1125350-NLA	NLA - Bellow, Invacare 400 Scooter	1	1
NOTE: A - The Bellow is not included with this assembly. B - Includes: Items 6-12. C - Includes: Items 2-3. D - Includes: Items 14-20. E - Includes: Items 22-23.					