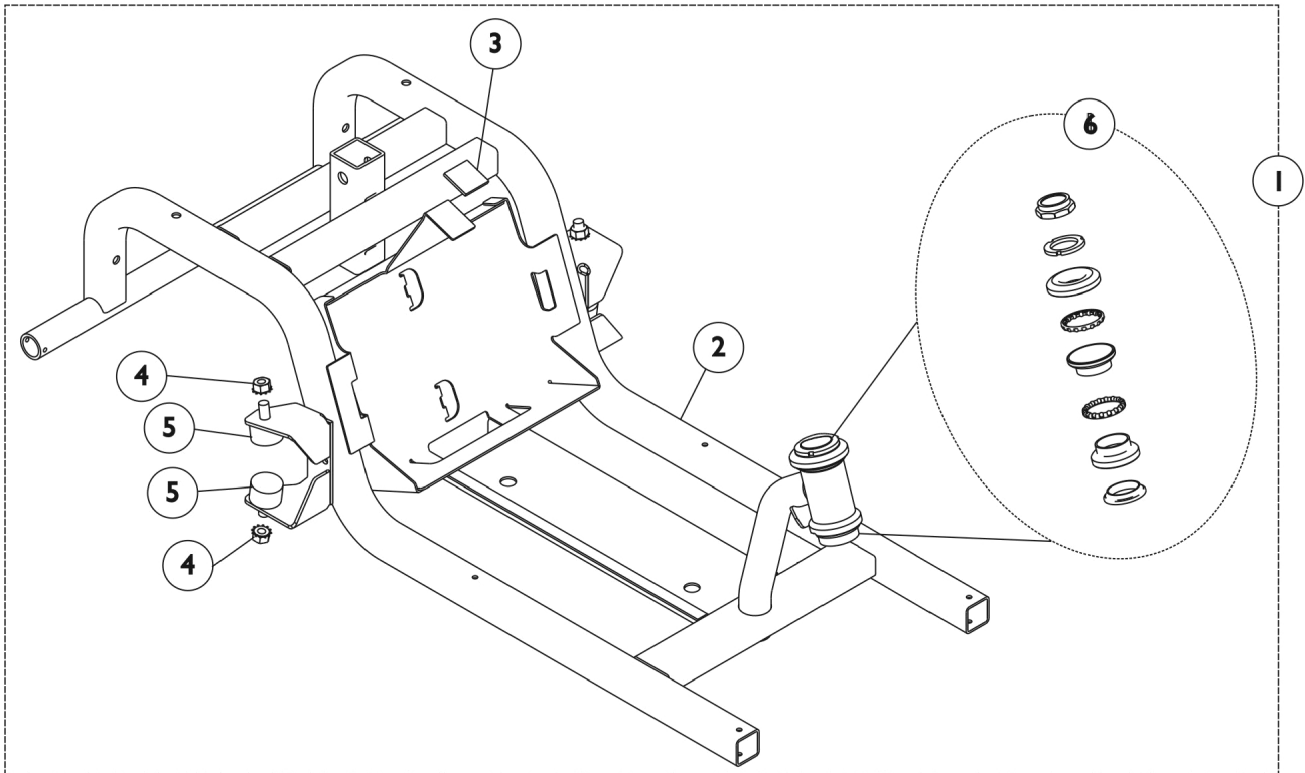


Frame with Hardware Invacare 300 Scooter



Item Number	Note	Part Number	Description	Quantity Per	
				Package	Assembly
1	A	1120432-NLA	NLA - Frame Assembly (Invacare 300 Scooter)	1	1
2			NLA - Frame, Invacare 300 Scooter, Black	1	1
3			NLA - Fastener, Hook with Adhesive Back (1" W x 1" L)	1	1
4			NLA - Nut, Keps (5/16-18)	1	4
5			NLA - Bumper, Rubber (1" Diameter x 5/8")	1	4
6			NLA - Kit, Headset Bearing	1	1

NOTE: A - Includes: Items 2-6.