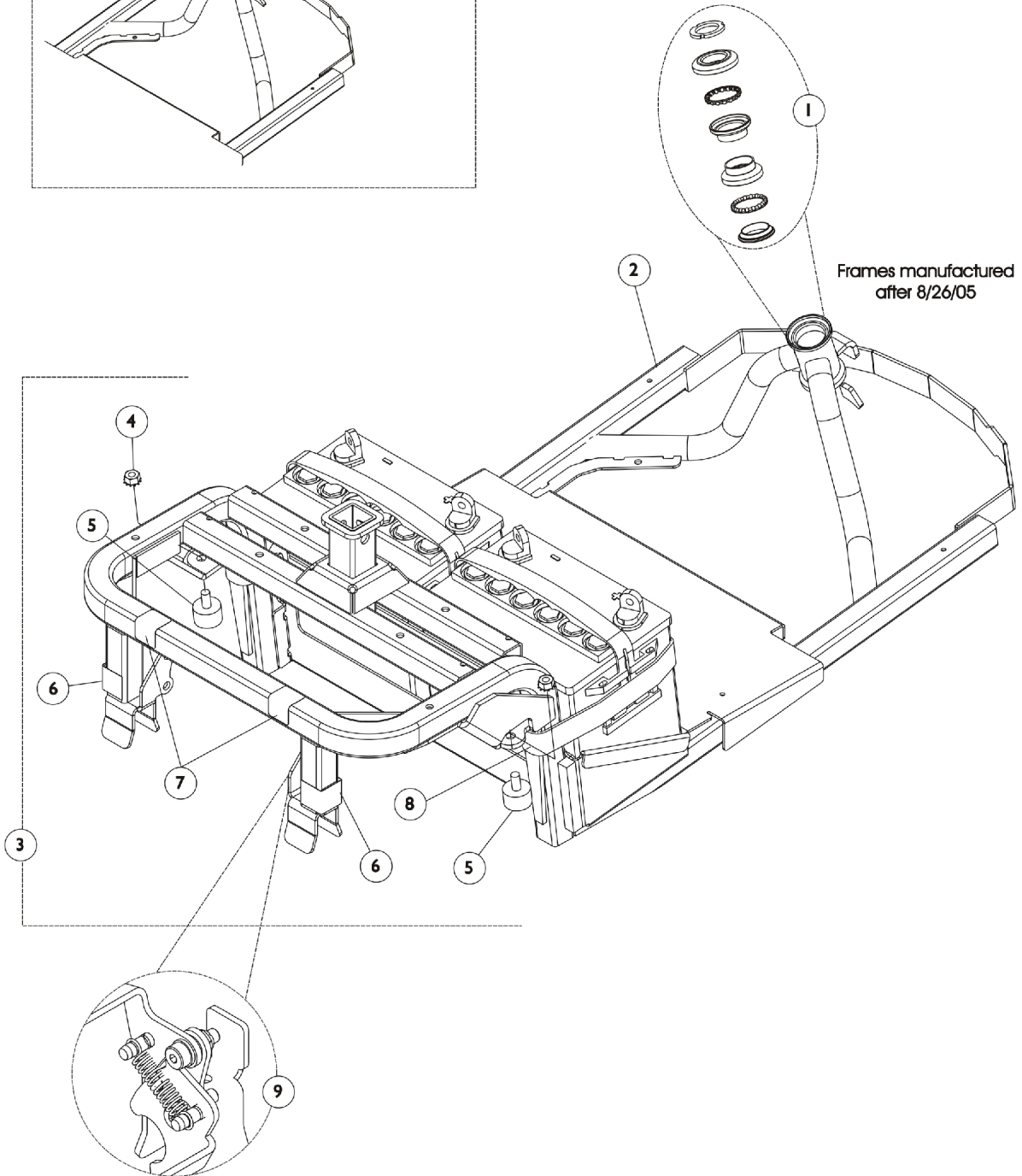
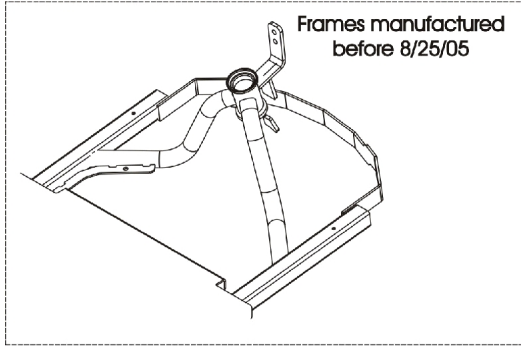


Frame with Hardware Invacare 400 Scooter



Frame with Hardware Invacare 400 Scooter

Item Number	Note	Part Number	Description	Quantity Per	
				Package	Assembly
1		1055707-NLA	NLA - Kit, Headset Bearing	1	1
2		1124903-NLA	NLA - Frame w/ Headset Bearings, Black (Invacare 400 Scooter)	1	1
3	A	1125388-NLA	NLA - Kit, Frame Hardware (Invacare 400 Scooter)	1	1
4			NLA - Nut, Keps (5/16-18)	1	2
5			NLA - Bumper, Rubber (1" Diameter x 5/8")	1	2
6			NLA - Fastener, Loop Adhesive Back (1" W x 3" L)	1	2
7			Decal, Warning Pinch Point	1	2
8			NLA - Strap, Battery (Invacare 400 Scooter)	1	1
9	B	1125365-NLA	NLA - Latch Handle Mounting Assembly - Invacare 400 Scooter	1	1

NOTE: A - Includes: Items 4-8.
B - This assembly does not come with the Frame Hardware Assembly.