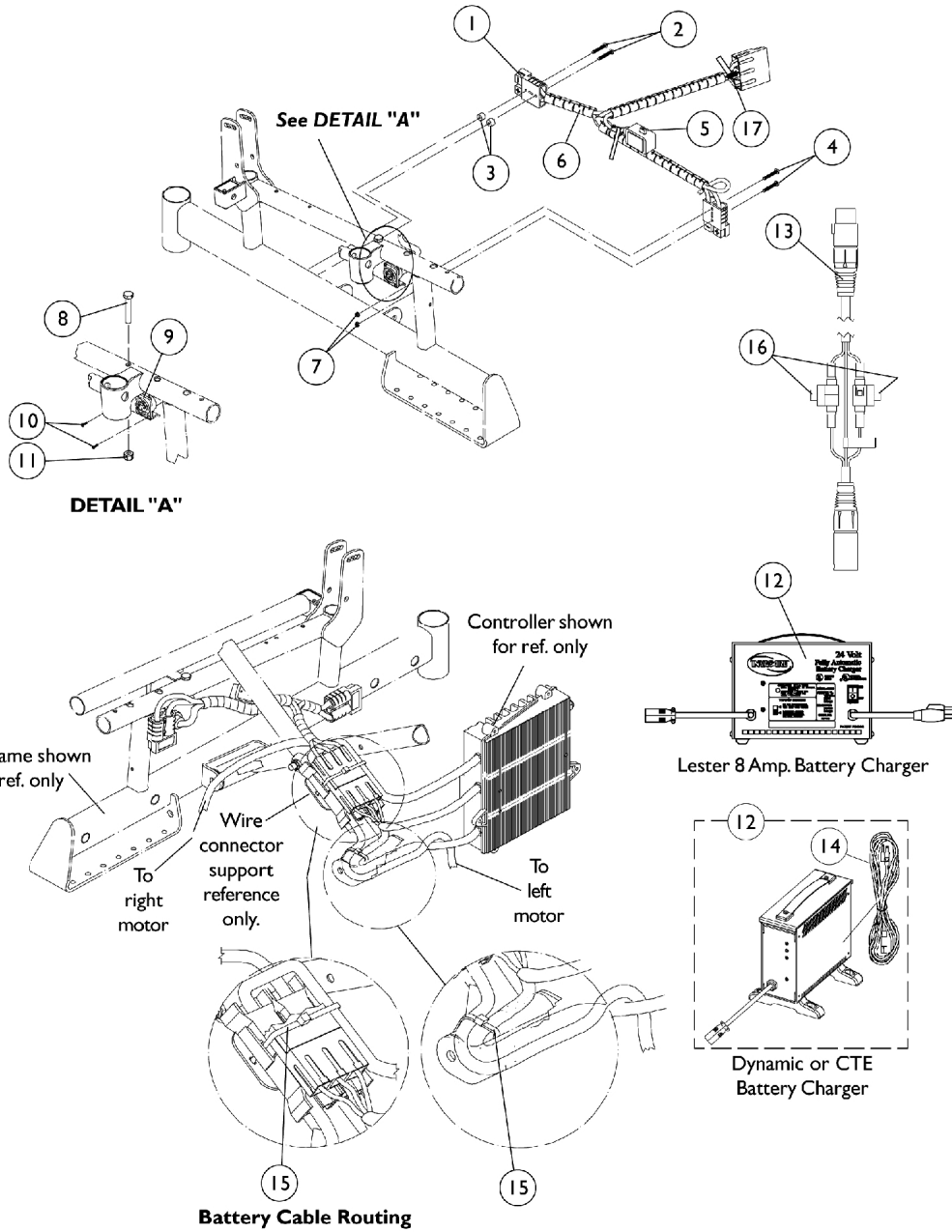


# Battery Chargers & Harness

## R2 jr. (14" Wide)



## Battery Chargers & Harness R2 jr. (14" Wide)

Item Number	Note	Part Number	Description	Quantity Per	
				Package	Assembly
1		1086168-NLA	NLA - Harness, Wiring, R2 jr.	1	1
2		1088802-NLA	NLA - Screw, Phillips Pan Head (6-32 x 1-1/4")	1	2
3		1088801-NLA	NLA - Washer, Nylon (3/16 x 1/2 x 3/8")	1	2
4		1011980-NLA	NLA - Screw, Phillips Pan Head (#6-32 x 3/4")	1	2
5		1090117-NLA	NLA - Fuse - Buss Mini ATM-15 (15 AMP)	1	1
6		1090357-NLA	NLA - Wrap, Slit Wire Harness (1/2" O.D., 36" Long Cut To Length)	1	1
7		P0870X050-NLA	NLA - Nut, Keps (#6-32)	1	2
8		1030949	Screw, Hex Head (1/4-20 x 1-1/2")	1	1
9		1086804-NLA	NLA - Bracket, Battery Charger Connector	1	1
10		1087226-NLA	NLA - Screw, Phillips Pan Head Tap (#4-24 x 3/8")	1	1
11		7930333	Locknut (1/4-20)	25	1
12	A	1053161-NLA	NLA - Charger, Battery, 8 Amp, 115vac, Off Board Dual Mode Round Plug, Lester	1	1
12		1085678-NLA	NLA - Charger, Battery, 8 Amp. 115vac, Off Board, Dual Mode, Round Plug w/ AC Power Line Cord, Dynamic	1	1
12	D,D1	1123249	Charger, Battery, 8 Amp. 115vac (Off Board) Single Mode Round Plug w/ AC Power Line Cord	1	1
12	D,D1	1123249E-NLA	NLA - WARR RPLMT - Charger, Battery, 8 Amp, 115VAC (Off Board) Single Mode Round Plug w/ AC Power Line Cord	1	1
13		1083929-NLA	NLA - Cable, Charger Extension, Round Plug (24" L)	1	1
14	E	1089627-NLA	NLA - Cord, AC Power, 115VAC, 2 Prong Off-Board (11' 6" L)	1	1
14		1121086	Cord, AC Power, 115VAC, 3 Prong On-Board (6' 6-1/2" L)	1	1
15		1095502-NLA	NLA - Package, Tie Wrap (11-1/2" L)	10	1
16	B	1098892-NLA	NLA - Fuse - Buss ATC-15 (15 AMP)	1	1
16	C	1090117-NLA	NLA - Fuse - Buss Mini ATM-15 (15 AMP)	1	2
17	B	1101099-NLA	NLA - Fuse, Buss ATC-20 (20 AMP)	1	1
17	C	1119230-NLA	NLA - Fuse - Buss Mini ATM-20 (20 AMP)	1	1

NOTE: A - On 7/18/01 Lester 8 AMP battery charger was reinstated.  
 B - Before 4/1/03  
 C - After 3/31/03  
 D - CTE charger introduced 4/1/04. Used on Gel Cell or AGM (Absorbed Glass Mat) batteries. For wet cell batteries refer to the 8 amp. Lester charger.  
 D1 - CTE charger looks exactly the same as Dynamic's charger except for the company name that is silk screened on the narrow side panel, where the charger plug is (hard wired) attached. Serial number starts with 04A0000001.  
 E - No longer available as a service part. Please use 1121086 as its replacement.