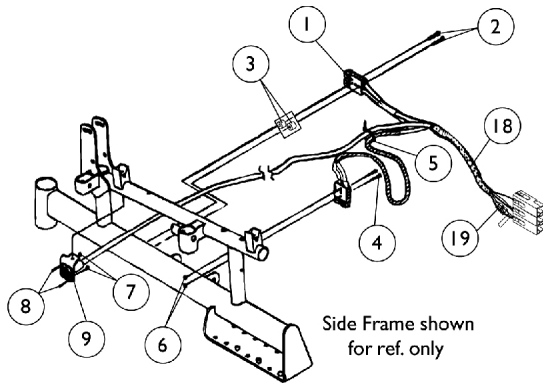
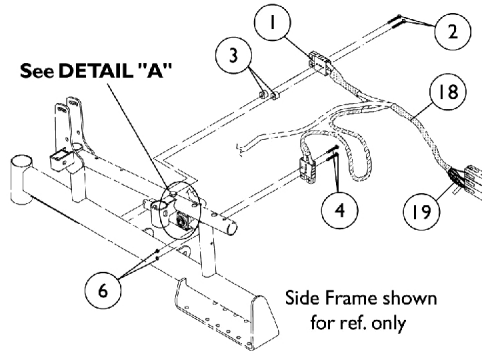


Battery Chargers & Harnesses

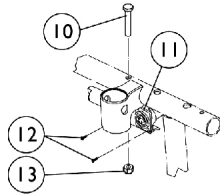
NOTE: Light Duty, 250-S models use a 4 amp. charger #1061411.



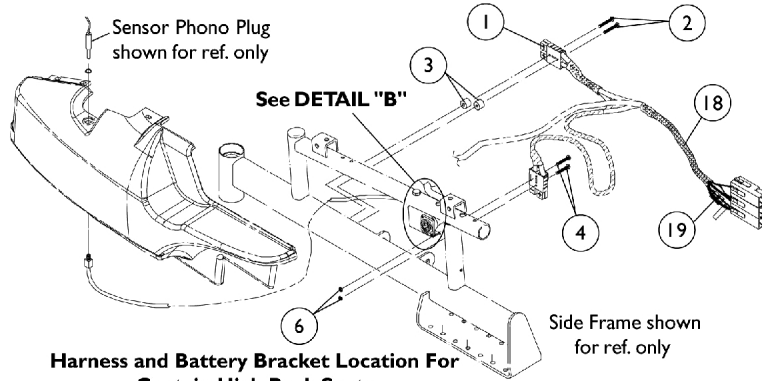
Harness and Battery Bracket Location For Sling Seats Before 4/15/99



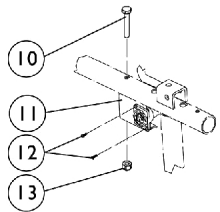
Harness and Battery Bracket Location For Captain Low Back Seats and (Sling Seats After 4/14/99)



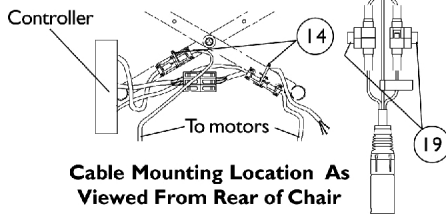
DETAIL "A"



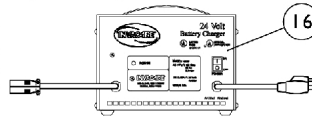
Harness and Battery Bracket Location For Captain High Back Seats



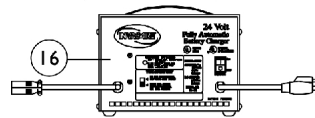
DETAIL "B"



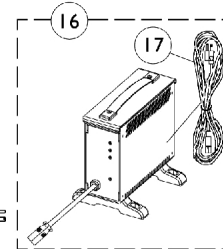
Cable Mounting Location As Viewed From Rear of Chair



Lester 4 Amp. Battery Charger



Lester 8 Amp. Battery Charger



Dynamic or CTE Battery Charger

Battery Chargers & Harnesses

NOTE: Light Duty, 250-S models use a 4 amp. charger #1061411.

Item Number	Note	Part Number	Description	Quantity Per	
				Package	Assembly
1	D	1053834-NLA	NLA - Harness, Wiring, Standard	1	1
1	E	1070590-NLA	NLA - Harness, Wiring	1	1
2	A	1088802-NLA	NLA - Screw, Phillips Pan Head (6-32 x 1-1/4")	1	2
3	A	1088801-NLA	NLA - Washer, Nylon (3/16 x 1/2 x 3/8")	1	2
4		1011980-NLA	NLA - Screw, Phillips Pan Head (#6-32 x 3/4")	1	2
5		1095503-NLA	NLA - Package, Tie Wrap (5-5/8" L)	10	1
6		P0870X050-NLA	NLA - Nut, Keps (#6-32)	1	2
7		P0870X000	Nut, Hex Keps (#4-40)	1	2
8		7930318-NLA	NLA - Package, Screw, Phillips Pan Head (#4-40 x 1/2")	25	1
9		1053837-NLA	NLA - Bracket, Charger Connector, Black	1	1
10		1030949	Screw, Hex Head (1/4-20 x 1-1/2")	1	1
11		1086804-NLA	NLA - Bracket, Battery Charger Connector	1	1
12		1087226-NLA	NLA - Screw, Phillips Pan Head Tap (#4-24 x 3/8")	1	2
13		7930333	Locknut (1/4-20)	25	1
14		1095502-NLA	NLA - Package, Tie Wrap (11-1/2" L)	10	1
15		1083929-NLA	NLA - Cable, Charger Extension, Round Plug (24" L)	1	1
16	B,K	1053161-NLA	NLA - Charger, Battery, 8 Amp, 115vac, Off Board Dual Mode Round Plug, Lester	1	1
16		1085678-NLA	NLA - Charger, Battery, 8 Amp. 115vac, Off Board, Dual Mode, Round Plug w/ AC Power Line Cord, Dynamic	1	1
16	H	1061411-NLA	NLA - Charger, Battery, 4 Amp. 115vac, Off Board, Dual Mode, Round Plug, Lester	1	1
16	I,I1	1123249	Charger, Battery, 8 Amp. 115vac (Off Board) Single Mode Round Plug w/ AC Power Line Cord	1	1
16	I,I1	1123249E-NLA	NLA - WARR RPLMT - Charger, Battery, 8 Amp, 115VAC (Off Board) Single Mode Round Plug w/ AC Power Line Cord	1	1
17	J	1089627-NLA	NLA - Cord, AC Power, 115VAC, 2 Prong Off-Board (11' 6" L)	1	1
17		1121086	Cord, AC Power, 115VAC, 3 Prong On-Board (6' 6-1/2" L)	1	1
18	C	1090357-NLA	NLA - Wrap, Slit Wire Harness (1/2" O.D., 36" Long Cut To Length)	1	1
19	F	1098892-NLA	NLA - Fuse - Buss ATC-15 (15 AMP)	1	1
19	G	1090117-NLA	NLA - Fuse - Buss Mini ATM-15 (15 AMP)	1	1

Battery Chargers & Harnesses

NOTE: Light Duty, 250-S models use a 4 amp. charger #1061411.

- NOTE:
- A - Items 2 and 3 changed after 4/14/99. Order Items 2 and 3 together for chairs manufactured before 4/15/99.
 - B - On 7/18/01 Lester 8AMP battery charger was reinstated.
 - C - Plastic wire wrap replaced mesh fabric and heat shrink 9/1/99. Part #1090357 can be used for chairs manufactured before 9/1/99 as well.
 - D - Sling Seats and Low Back Captain Seat.
 - E - High Back Captain Seat.
 - F - Before 4/1/03. Wiring Harnesses (2) required. Charger Extension Cable (1) required.
 - G - After 3/31/03. Wiring Harnesses (2) required. Charger Extension Cable (2) required.
 - H - CTE 8 Amp. charger replaced the obsoleted 4 Amp. charger as of 4/1/04.
 - I - CTE charger introduced 4/1/04. Used on Gel Cell or AGM (Absorbed Glass Mat) batteries. For wet cell batteries refer to the 8 amp. Lester charger.
 - I1 - CTE charger looks exactly the same as Dynamic's charger except for the company name that is silk screened on the narrow side panel, where the charger plug is (hard wired) attached. Serial number starts with 04A0000001.
 - J - No longer available as a service part. Please use 1121086 as its replacement.
 - K - Use Battery Charger part number 1123249 as a replacement.