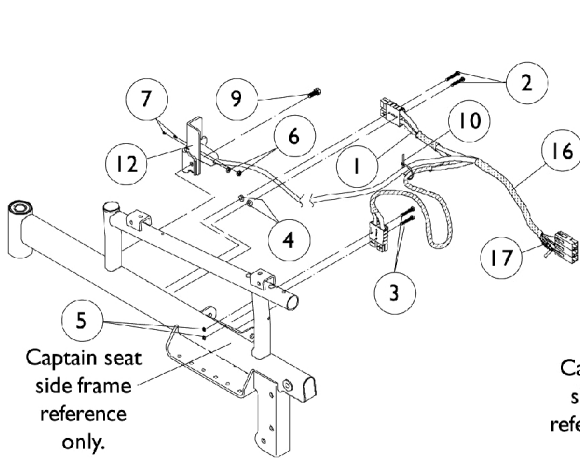
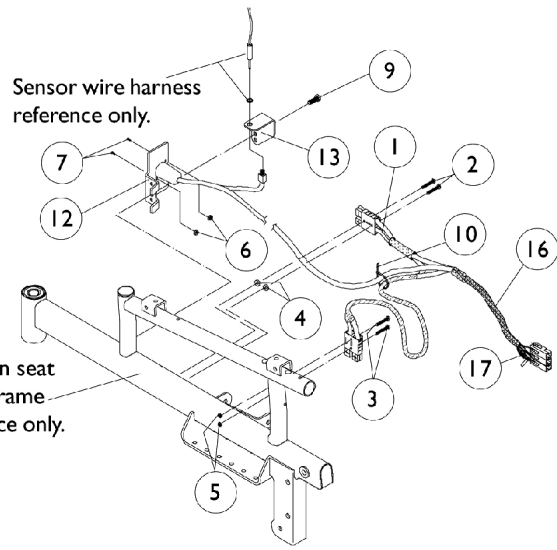


# Battery Charger and Harnesses

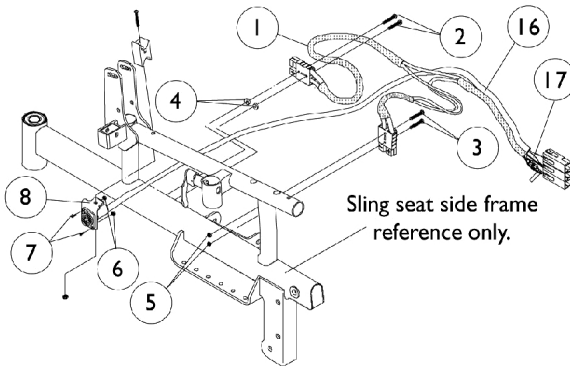
Light Duty, 250-S models use a 4 amp. battery charger, #1061411.



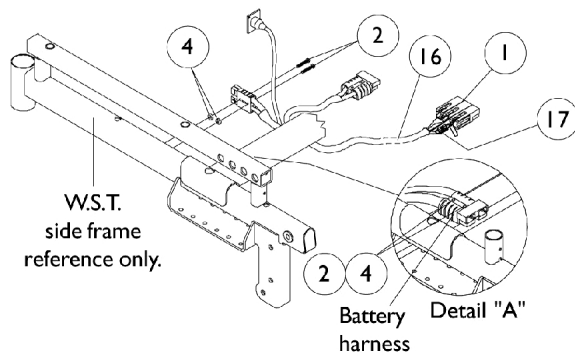
**Battery Harness Layout  
(Low Back Captain Seat  
and Sling Seat with Shrouds.)**



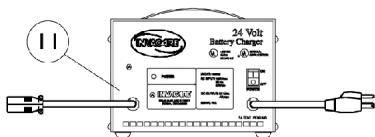
**Battery Harness Layout  
(High Back Captain Seat)**



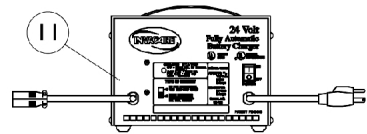
**Battery Harness Layout  
(Sling Seat w/o Shrouds.)**



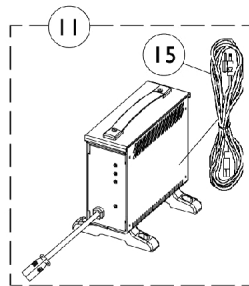
**Battery Harness Layout  
(Weight Shifting Tilt)**



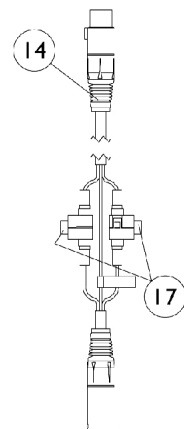
Lester 4 Amp. Battery Charger



Lester 8 Amp. Battery Charger



Dynamic or CTE  
Battery Charger



# Battery Charger and Harnesses

Light Duty, 250-S models use a 4 amp. battery charger, #1061411.

Item Number	Note	Part Number	Description	Quantity Per	
				Package	Assembly
1	H	1053834-NLA	NLA - Harness, Wiring, Standard	1	1
1	I	1070590-NLA	NLA - Harness, Wiring	1	1
2	J	1039773-NLA	NLA - Screw, Phillips Pan Head (#6-32 x 1-1/8")	1	4
3		1011980-NLA	NLA - Screw, Phillips Pan Head (#6-32 x 3/4")	1	2
4		1061323-NLA	NLA - Washer, Nylon (11/64 x 1/2 x 1/8")	1	4
5		P0870X050-NLA	NLA - Nut, Keps (#6-32)	1	2
6		P0870X000	Nut, Hex Keps (#4-40)	1	2
7		7930318-NLA	NLA - Package, Screw, Phillips Pan Head (#4-40 x 1/2")	25	1
8		1053837-NLA	NLA - Bracket, Charger Connector, Black	1	1
9		1045267	Screw, Hex Head w/ Patch (1/4-20 x 3/4")	1	1
10		1021260	Tie Wrap (5-5/8" L)	1	1
11	B,O	1053161-NLA	NLA - Charger, Battery, 8 Amp, 115vac, Off Board Dual Mode Round Plug, Lester	1	1
11		1085678-NLA	NLA - Charger, Battery, 8 Amp. 115vac, Off Board, Dual Mode, Round Plug w/ AC Power Line Cord, Dynamic	1	1
11	G,L	1061411-NLA	NLA - Charger, Battery, 4 Amp. 115vac, Off Board, Dual Mode, Round Plug, Lester	1	1
11	M,M1	1123249	Charger, Battery, 8 Amp. 115vac (Off Board) Single Mode Round Plug w/ AC Power Line Cord	1	1
11	M,M1	1123249E-NLA	NLA - WARR RPLMT - Charger, Battery, 8 Amp, 115VAC (Off Board) Single Mode Round Plug w/ AC Power Line Cord	1	1
12	A	1076390-NLA	NLA - Bracket, Battery Charger, Connector/Trunk Stop	1	1
13		1076389-NLA	NLA - Bracket, Limit Switch Sensor	1	1
14		1083929-NLA	NLA - Cable, Charger Extension, Round Plug (24" L)	1	1
15	N	1089627-NLA	NLA - Cord, AC Power, 115VAC, 2 Prong Off-Board (11' 6" L)	1	1
15		1121086	Cord, AC Power, 115VAC, 3 Prong On-Board (6' 6-1/2" L)	1	1
16	C	1090357-NLA	NLA - Wrap, Slit Wire Harness (1/2" O.D., 36" Long Cut To Length)	1	1
17	E	1098892-NLA	NLA - Fuse - Buss ATC-15 (15 AMP)	1	2
17	K	1090117-NLA	NLA - Fuse - Buss Mini ATM-15 (15 AMP)	1	2
	D,F	1095502-NLA	NLA - Package, Tie Wrap (11-1/2" L)	10	1

# Battery Charger and Harnesses

**Light Duty, 250-S models use a 4 amp. battery charger, #1061411.**

NOTE: A - #1070573 was replaced with #1076390 and serves as a direct replacement for low back captain seats and sling seats with shrouds for chairs manufactured before 7/1/99.  
B - On 7/18/01 Lester 8 amp. battery charger was reinstated.  
C - Plastic wire replaced mesh fabric and heat shrink 9/1/99. Part #1090357 can be used for chairs manufactured before 9/1/99 as well.  
D - Not Shown.  
E - Before 4/1/03. Charger extension cable requires 1 fuse and wire harness requires 2 fuses  
F - Package of 10.  
G - Light Duty, 250-S Models Only.  
H - Low Back Captain Seat, Sling Seat with Shrouds and Weight Shifting Tilt.  
I - High Back Captain Seat.  
J - (4) each Weight Shifting Tilt; (2) each Non-Weight Shifting Tilt.  
K - After 3/31/03. Charger extension cable requires 2 fuses and wire harness requires 2 fuses  
L - CTE 8 Amp. charger replaced the obsoleted 4 Amp. charger as of 4/1/04.  
M - CTE charger introduced 4/1/04. Used on Gel Cell or AGM (Absorbed Glass Mat) batteries. For wet cell batteries refer to the 8 amp. Lester charger.  
M1 - CTE charger looks exactly the same as Dynamic's charger except for the company name that is silk screened on the narrow side panel, where the charger plug is (hard wired) attached. Serial number starts with 04A00000001.  
N - No longer available as a service part. Please use 1121086 as its replacement.  
O - Use Battery Charger part number 1123249 as a replacement.