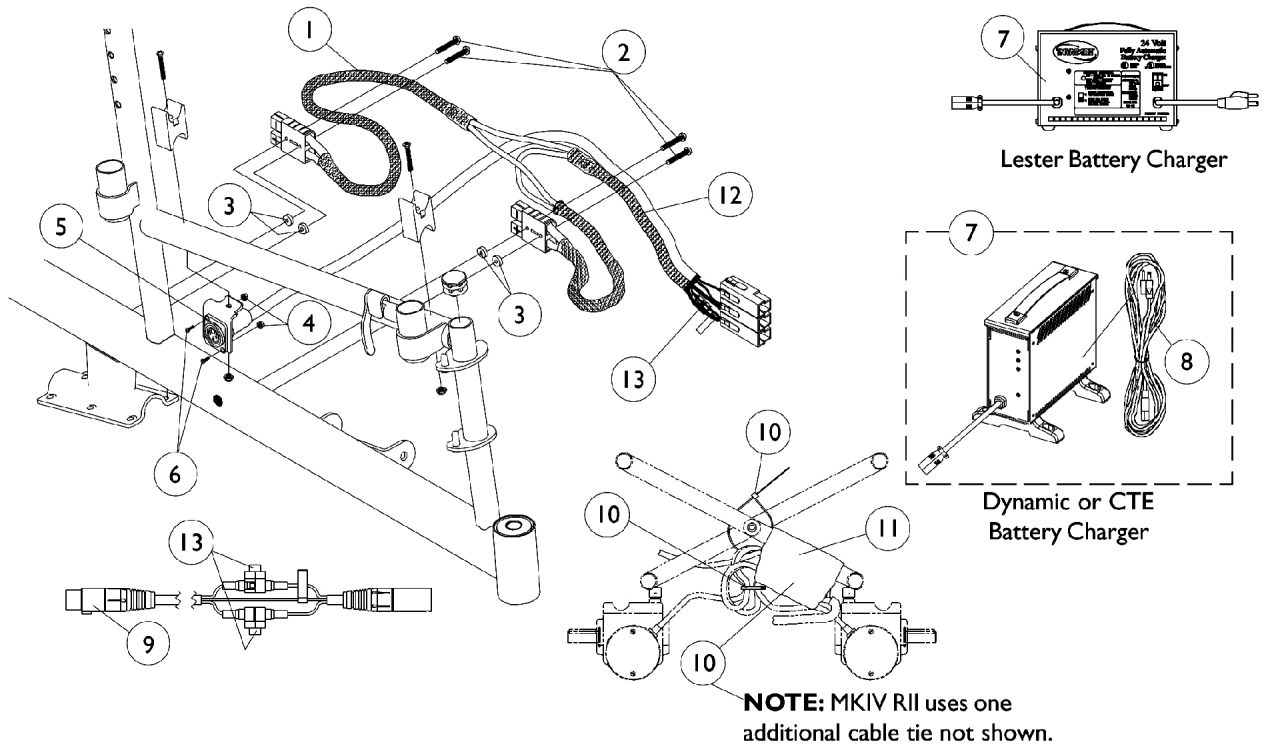


Battery Charger and Harness



Battery Charger and Harness

Item Number	Note	Part Number	Description	Quantity Per	
				Package	Assembly
1		1053834-NLA	NLA - Harness, Wiring, Standard	1	1
2		1039773-NLA	NLA - Screw, Phillips Pan Head (#6-32 x 1-1/8")	1	4
3		1061323-NLA	NLA - Washer, Nylon (11/64 x 1/2 x 1/8")	1	4
4		P0870X000	Nut, Hex Keps (#4-40)	1	2
5		1053837-NLA	NLA - Bracket, Charger Connector, Black	1	1
6		7930318-NLA	NLA - Package, Screw, Phillips Pan Head (#4-40 x 1/2")	25	2
7	A,H	1053161-NLA	NLA - Charger, Battery, 8 Amp, 115vac, Off Board Dual Mode Round Plug, Lester	1	1
7		1085678-NLA	NLA - Charger, Battery, 8 Amp. 115vac, Off Board, Dual Mode, Round Plug w/ AC Power Line Cord, Dynamic	1	1
7	F,F1	1123249	Charger, Battery, 8 Amp. 115vac (Off Board) Single Mode Round Plug w/ AC Power Line Cord	1	1
7	F,F1	1123249E-NLA	NLA - WARR RPLMT - Charger, Battery, 8 Amp, 115VAC (Off Board) Single Mode Round Plug w/ AC Power Line Cord	1	1
8	G	1089627-NLA	NLA - Cord, AC Power, 115VAC, 2 Prong Off-Board (11' 6" L)	1	1
8		1121086	Cord, AC Power, 115VAC, 3 Prong On-Board (6' 6-1/2" L)	1	1
9		1083929-NLA	NLA - Cable, Charger Extension, Round Plug (24" L)	1	1
10		1095502-NLA	NLA - Package, Tie Wrap (11-1/2" L)	10	1
11		1058491-NLA	NLA - Connector Boot, Wire	1	1
12	B	1090357-NLA	NLA - Wrap, Slit Wire Harness (1/2" O.D., 36" Long Cut To Length)	1	1
13	D	1098892-NLA	NLA - Fuse - Buss ATC-15 (15 AMP)	1	2
13	E	1090117-NLA	NLA - Fuse - Buss Mini ATM-15 (15 AMP)	1	2

NOTE: A - On 7/18/01 the Lester 8 amp. charger was reinstated.
 B - Plastic wire wrap replaced mesh fabric and heat shrink 9/1/99. Part number 1090357 can be used for chairs manufactured before 9/1/99 as well.
 D - Before 4/1/03. Charger extension cable takes 1 fuse and the wire harness takes 2 fuses
 E - After 3/31/03. Charger extension cable takes 2 fuses and the wire harness takes 2 fuses
 F - CTE charger introduced 4/1/04. Used on Gel Cell or AGM (Absorbed Glass Mat) batteries. For wet cell batteries refer to the Lester charger.
 F1 - CTE charger looks exactly the same as Dynamic's charger except for the company name that is silk screened on the narrow side panel, where the charger plug is (hard wired) attached. Serial number starts with 04A0000001.
 G - No longer available as a service part. Please use 1121086 as its replacement.
 H - Use Battery Charger part number 1123249 as a replacement.