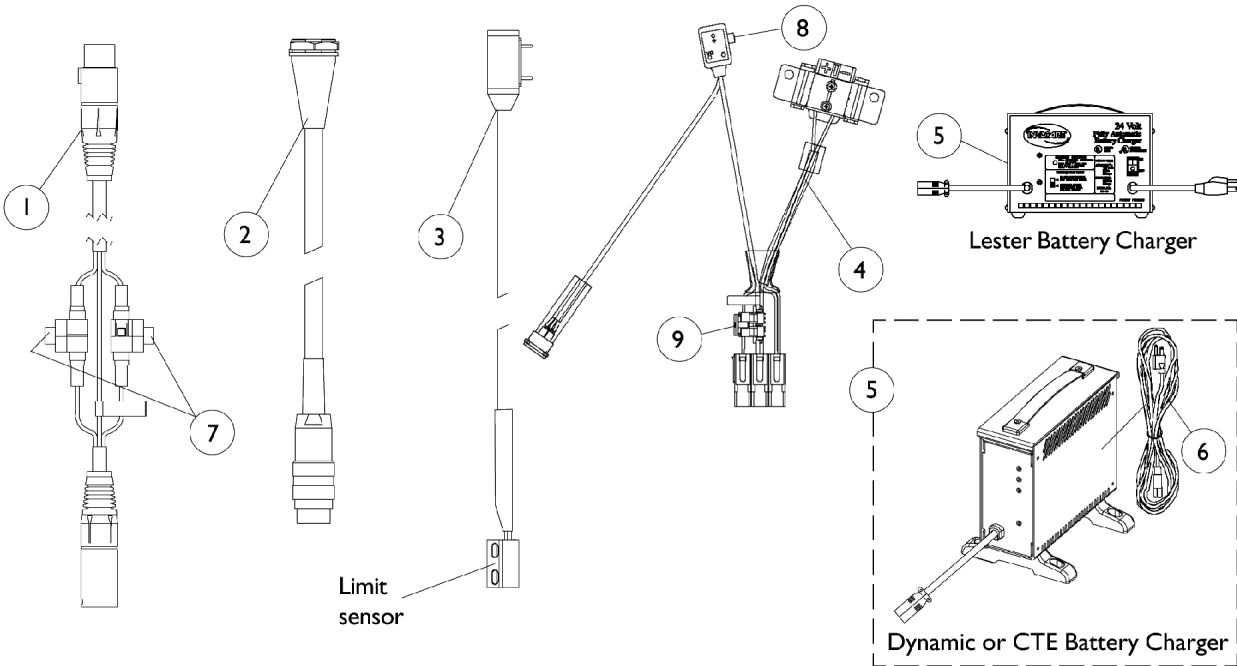


# Battery Charger, Harnesses and Cables



## Battery Charger, Harnesses and Cables

Item Number	Note	Part Number	Description	Quantity Per	
				Package	Assembly
1		1083929-NLA	NLA - Cable, Charger Extension, Round Plug (24" L)	1	1
2		1092912-NLA	NLA - Programmer Extension Cable Assembly (18" Long)	1	1
3	A	1092913-NLA	NLA - Cable, Drive Lockout Sensor	1	1
4		1092314	Harness, Wiring, Black Battery Connector, Round Plug, GP24 Dual Battery Box	1	1
5	B,J	1053161-NLA	NLA - Charger, Battery, 8 Amp, 115vac, Off Board Dual Mode Round Plug, Lester	1	1
	C	1053162-NLA	NLA - Charger, Battery, 12 Amp, 115vac, Off Board, Dual Mode, Round Plug, Lester	1	1
5		1085678-NLA	NLA - Charger, Battery, 8 Amp. 115vac, Off Board, Dual Mode, Round Plug w/ AC Power Line Cord, Dynamic	1	1
5	G,G1	1123249	Charger, Battery, 8 Amp. 115vac (Off Board) Single Mode Round Plug w/ AC Power Line Cord	1	1
5	G,G1	1123249E-NLA	NLA - WARR RPLMT - Charger, Battery, 8 Amp, 115VAC (Off Board) Single Mode Round Plug w/ AC Power Line Cord	1	1
6	H	1089627-NLA	NLA - Cord, AC Power, 115VAC, 2 Prong Off-Board (11' 6" L)	1	1
6		1121086	Cord, AC Power, 115VAC, 3 Prong On-Board (6' 6-1/2" L)	1	1
7	E	1098892-NLA	NLA - Fuse - Buss ATC-15 (15 AMP)	1	1
7	F	1090117-NLA	NLA - Fuse - Buss Mini ATM-15 (15 AMP)	1	2
8		1090117-NLA	NLA - Fuse - Buss Mini ATM-15 (15 AMP)	1	1
9	F	1101099-NLA	NLA - Fuse, Buss ATC-20 (20 AMP)	1	1
9	F	1119230-NLA	NLA - Fuse - Buss Mini ATM-20 (20 AMP)	1	1
	C,D	1094382-NLA	NLA - Hardware, Cable Routing	1	1
	C	1095503-NLA	NLA - Package, Tie Wrap (5-5/8" L)	10	8
	C	1095502-NLA	NLA - Package, Tie Wrap (11-1/2" L)	10	8

NOTE: A - Sensor cable is used with a manual recliner, high back captain seat and the counter weight.  
 B - On 7/18/01 the Lester charger was introduced to ARROW FWD chairs.  
 C - Not Shown  
 D - #1094382 consists of the following: (5) each cable ties (11-1/2" long), (3) each cable ties (5-5/8" long), 3 each cable tie holders.  
 E - Before 4/1/03  
 F - After 3/31/03  
 G - CTE charger introduced 4/1/04. Used on Gel Cell or AGM (Absorbed Glass Mat) batteries. For wet cell batteries refer to the Lester charger.  
 G1 - CTE charger looks exactly the same as Dynamic's charger except for the company name that is silk screened on the narrow side panel, where the charger plug is (hard wired) attached. Serial number starts with 04A0000001.  
 H - No longer available as a service part. Please use 1121086 as its replacement.  
 J - Use Battery Charger part number 1123249 as a replacement.