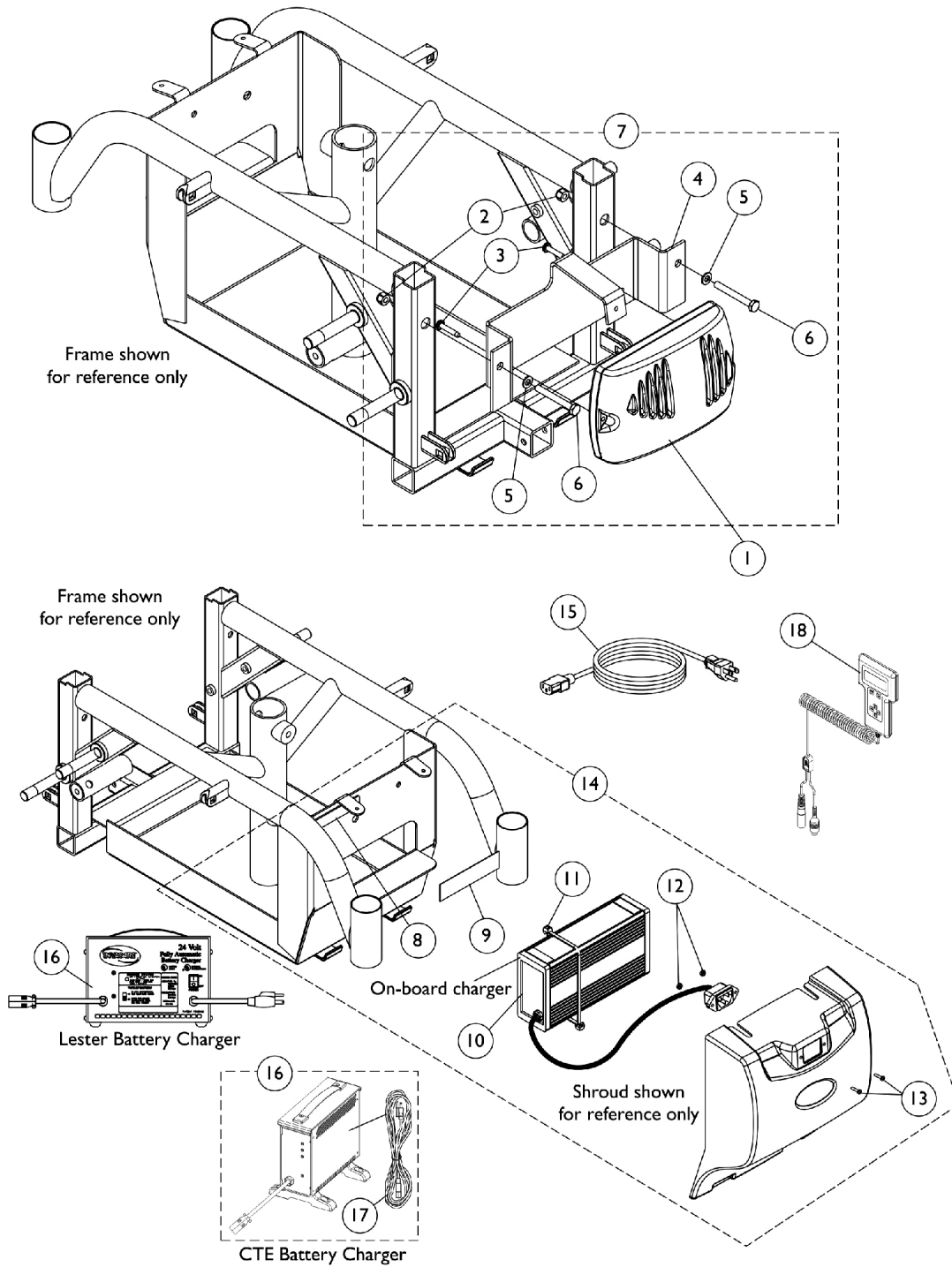


Electronics - MK5 NX Controllers, Programmer and Battery Chargers

After 6/26/03



Electronics - MK5 NX Controllers, Programmer and Battery Chargers After 6/26/03

Item Number	Note	Part Number	Description	Quantity Per	
				Package	Assembly
1	A	1109531-NLA	NLA - Controller, MK5 NX-LP	1	1
1	B	1109530	Controller, MK5 NX	1	1
1	B	1109530E-NLA	NLA - WARR RPLMT - Controller, MK5 NX	1	1
2		1025736	Locknut (1/4-20)	1	2
3		1113439-NLA	NLA - Screw, Phillips Pan Head Tap (#10-32 x 1")	1	2
4		1116411-NLA	NLA - Bracket, Controller Mounting with Decals, Black	1	1
5		1026907	Washer (1/4 x 1/2 x 1/16")	1	2
6		1024796-NLA	NLA - Screw, Hex Head (1/4-20 x 2")	1	2
7	C	1116412-NLA	NLA - Controller Mounting Hardware	1	1
8		1110654-NLA	NLA - Decal, Blank	1	1
9		47375X275	Fastener, Loop with Adhesive (1")	1	1
10	F	1118923	Charger, Battery with Power Cord 3 Amp, On-Board	1	1
10	F	1118923E-NLA	NLA - WARR RPLMT - Charger, Battery w/ Power Cord 3 Amp, On-Board	1	1
11		98007X005	Tie Wrap (11-1/2" L)	1	2
12		P0870X000	Nut, Hex Keps (#4-40)	1	2
13		1021742	Screw, Phillips Pan Head (#4-40 x 1/2")	1	2
14	D	1116415-NLA	NLA - Charger, Battery with Hardware, On-Board (3 AMP)	1	1
15		1121086	Cord, AC Power, 115VAC, 3 Prong On-Board (6' 6-1/2" L)	1	1
16	H	1053161-NLA	NLA - Charger, Battery, 8 Amp, 115vac, Off Board Dual Mode Round Plug, Lester	1	1
16	E	1123249	Charger, Battery, 8 Amp. 115vac (Off Board) Single Mode Round Plug w/ AC Power Line Cord	1	1
16	E	1123249E-NLA	NLA - WARR RPLMT - Charger, Battery, 8 Amp, 115VAC (Off Board) Single Mode Round Plug w/ AC Power Line Cord	1	1
17	G	1089627-NLA	NLA - Cord, AC Power, 115VAC, 2 Prong Off-Board (11' 6" L)	1	1
17		1121086	Cord, AC Power, 115VAC, 3 Prong On-Board (6' 6-1/2" L)	1	1
18		1109091-NLA	NLA - Programmer, Remote	1	1

NOTE: A - M50 Models
 B - M51 Models
 C - Includes items 2-6. Does Not Include Controller.
 D - Includes items 8-13
 E - CTE charger introduced on-chair as an optional choice 4/1/04. Used on Gel Cell or AGM (Absorbed Glass Mat) batteries. Serial number starts with 04A00000001. For wet cell batteries refer to the Lester 8 Amp. charger.
 F - On Board charger is included as a standard feature.
 G - No longer available as a service part. Please use 1121086 as its replacement.
 H - Use Battery Charger part number 1123249 as a replacement.