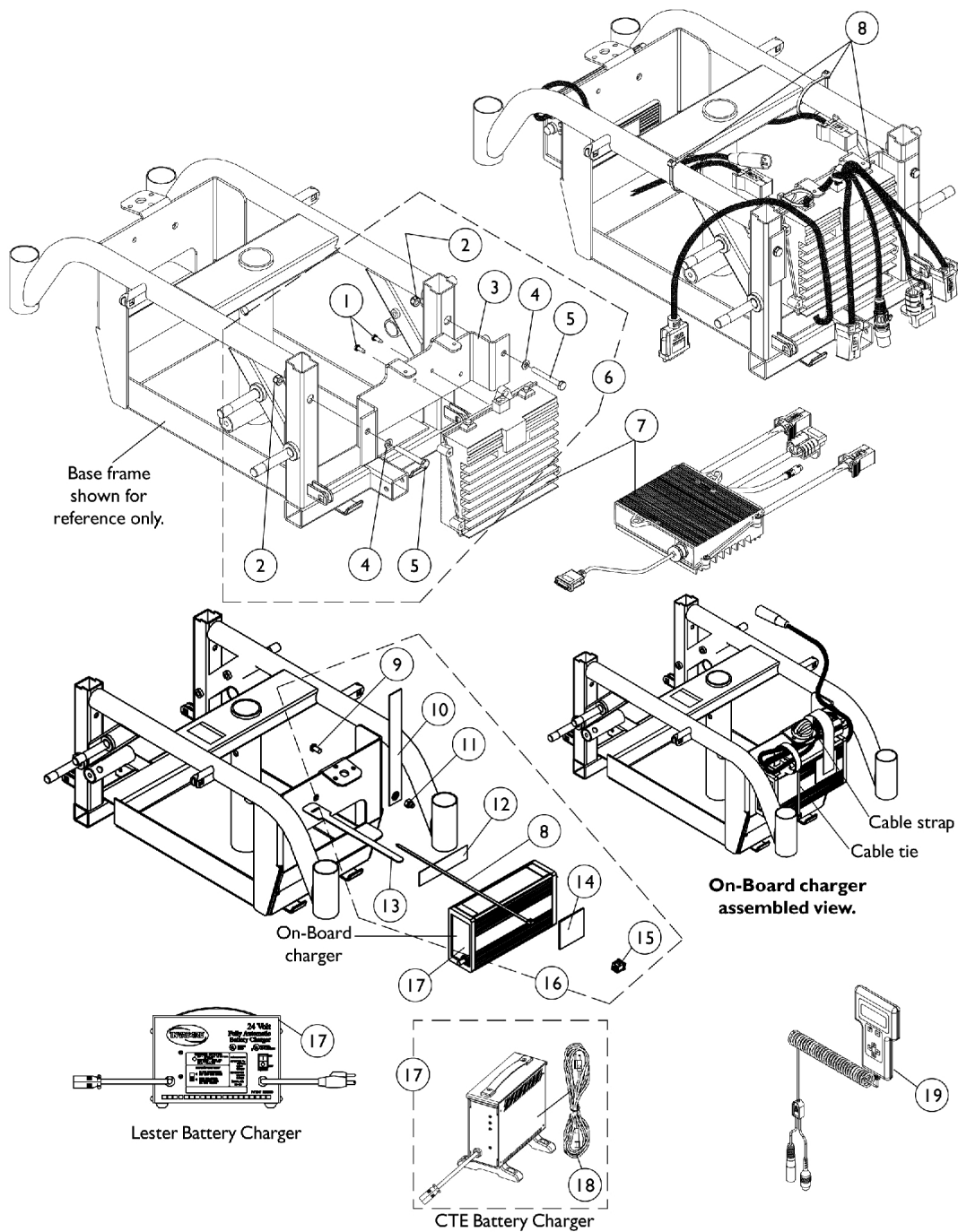


MKIV Controllers, Programmer and Battery Chargers

Before 6/27/03



MKIV Controllers, Programmer and Battery Chargers Before 6/27/03

Item Number	Note	Part Number	Description	Quantity Per	
				Package	Assembly
1		1040223-NLA	NLA - Screw (#8-32 x 1/2")	1	2
2		1025736	Locknut (1/4-20)	1	2
3	A	1112287-NLA	NLA - Bracket, Controller Mounting with Decals, Black	1	1
4		1026907	Washer (1/4 x 1/2 x 1/16")	1	2
5		1024796-NLA	NLA - Screw, Hex Head (1/4-20 x 2")	1	2
6	B	1110617-NLA	NLA - Controller Mounting Hardware	1	1
7	G,L	1106820-NLA	NLA - Controller, MKIV RII	1	1
7	G	1106820E-NLA	NLA - WARR RPLMT - Controller, MKIV RII	1	1
7	H	1112269-NLA	NLA - Controller, MKIV RII LP	1	1
8		1095502-NLA	NLA - Package, Tie Wrap (11-1/2" L)	10	4
9		1007269	Screw, Socket Button Head (1/4-20 x 5/8")	1	1
10		1112746-NLA	NLA - Strap, Cable	1	1
11		1044214	Nut, Hex with Nylon Cap (1/4-20)	1	1
12		1062095-NLA	NLA - Fastener, Loop with Adhesive Back (1" W x 4" L)	1	1
13		1112745-NLA	NLA - Tie Wrap, Hook and Loop (8" L)	1	1
14		1086270-NLA	NLA - Hook Fastener with Adhesive Back (2" W x 9-1/2" L)	1	1
15		1112747-NLA	NLA - Bushing, Relief Strain	1	1
16	D	1112956-NLA	NLA - On-Board Charger Mounting Hardware	1	1
17	I	1106483	Battery Charger, 3 Amp, 115vac, On Board, Dual Mode, Round Plug	1	1
17	J,N	1053161-NLA	NLA - Charger, Battery, 8 Amp, 115vac, Off Board Dual Mode Round Plug, Lester	1	1
17	K	1123249	Charger, Battery, 8 Amp. 115vac (Off Board) Single Mode Round Plug w/ AC Power Line Cord	1	1
17	K	1123249E-NLA	NLA - WARR RPLMT - Charger, Battery, 8 Amp, 115VAC (Off Board) Single Mode Round Plug w/ AC Power Line Cord	1	1
18	M	1089627-NLA	NLA - Cord, AC Power, 115VAC, 2 Prong Off-Board (11' 6" L)	1	1
18		1121086	Cord, AC Power, 115VAC, 3 Prong On-Board (6' 6-1/2" L)	1	1
19		1109091-NLA	NLA - Programmer, Remote	1	1
	C,E	1064404-NLA	NLA - Virtual Service Modem Kit	1	1
	C,F	1091631-NLA	NLA - Virtual Service Software Kit	1	1
	C,E	1103051-NLA	NLA - MKIV One 2 One Software Kit	1	1
	C	1095204-NLA	NLA - Cable, Virtual Service, Charger/Modem	1	1
	C	1091980-NLA	NLA - Disk, 3.5 H.D. Floppy with V.S. Software	1	1
	C	1091637-NLA	NLA - Adaptor, Null Modem	1	1
	C	1091636-NLA	NLA - Service Manual - V.S. Software Kit	1	1
	C	1035900	Decal, Transportation	1	1
	C	1119281-NLA	NLA - Plate, Name, Patent Numbers	1	1

MKIV Controllers, Programmer and Battery Chargers

Before 6/27/03

NOTE: A - Transportation lable part number 1035900 and patent number name plate part number 60106X013 are included wiht the controller bracket
B - Includes items 1-5
C - Not Shown
D - Includes items 8-15
E - Part number 1095204 is available for individual sale.
F - Part numbers 1095204, 1091980, 1091637, and 1091636 are available for individual sale.
G - Pronto M51
H - Pronto M50
I - On-Board
J - Optional
K - CTE charger introduced 4/1/04. Used on Gel Cell or AGM (Absorbed Glass Mat) batteries. Serial number starts with 04A00000001. For wet cell batteries refer to the Lester 8 Amp. charger.
L - Part #1106820 is No Longer Available. See part #1106820E as a replacement.
M - No longer available as a service part. Please use 1121086 as its replacement.
N - Use Battery Charger part number 1123249 as a replacement.