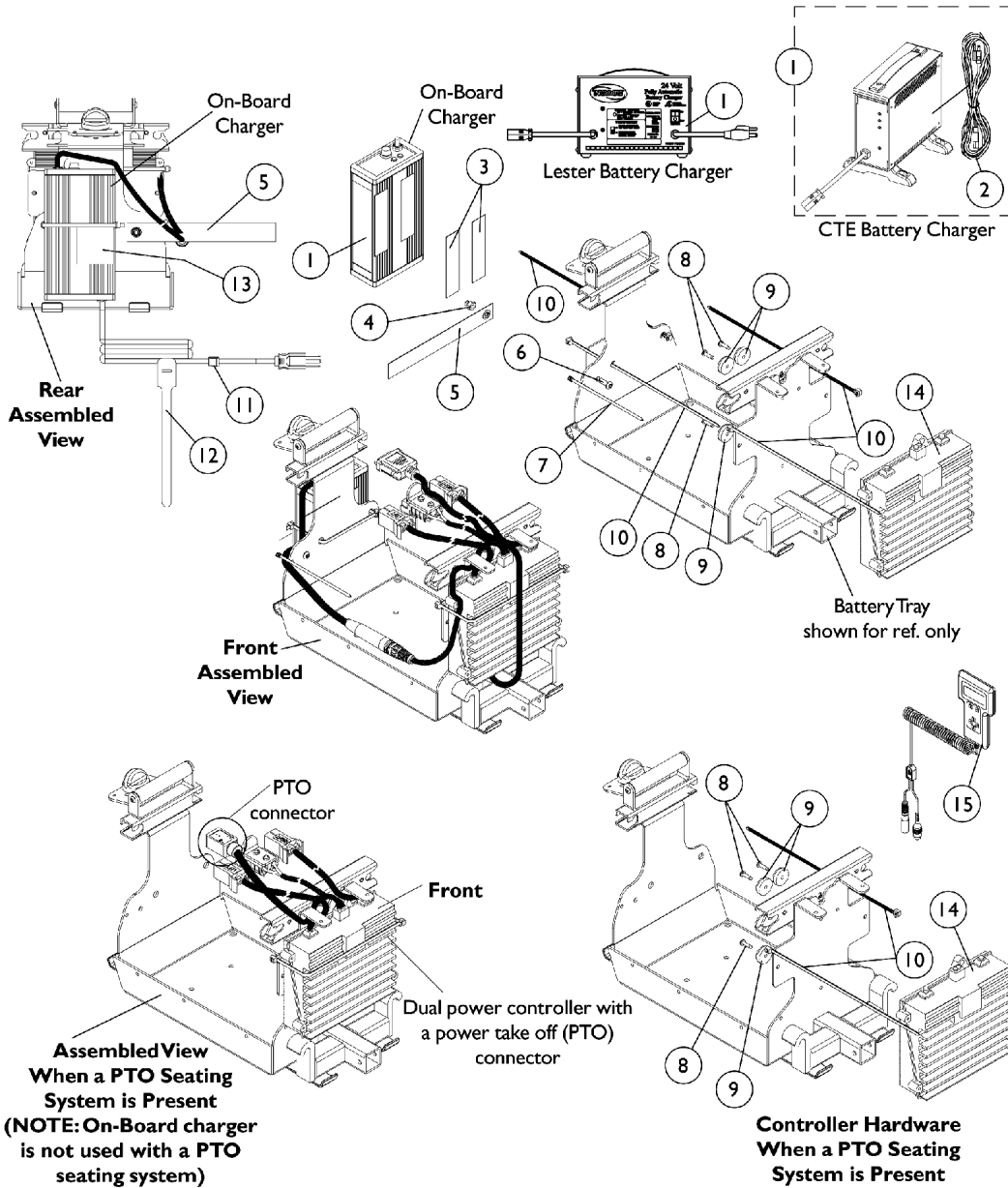


# MKIV Controller, Programmer and Battery Charger (Before 6/27/03)

**NOTE:** When a Customer's chair has a MKIVA Quad Pulse controller containing a 2 pin black power connector instead of a 3 pin blue connector, the service part replacement must be ordered as a "special" order. The MKIVA Quad Pulse controller for the ProntoM71 can only be originally ordered as an ON-CHAIR "special order" only.



# MKIV Controller, Programmer and Battery Charger (Before 6/27/03)

**NOTE: When a Customer's chair has a MKIVA Quad Pulse controller containing a 2 pin black power connector instead of a 3 pin blue connector, the service part replacement must be ordered as a "special" order. The MKIVA Quad Pulse controller for the ProntoM71 can only be originally ordered as an ON-CHAIR "special order" only.**

Item Number	Note	Part Number	Description	Quantity Per	
				Package	Assembly
1	G	1106483	Battery Charger, 3 Amp, 115vac, On Board, Dual Mode, Round Plug	1	1
1	H,L	1053161-NLA	NLA - Charger, Battery, 8 Amp, 115vac, Off Board Dual Mode Round Plug, Lester	1	1
1	I	1123249	Charger, Battery, 8 Amp. 115vac (Off Board) Single Mode Round Plug w/ AC Power Line Cord	1	1
1	I	1123249E-NLA	NLA - WARR RPLMT - Charger, Battery, 8 Amp, 115VAC (Off Board) Single Mode Round Plug w/ AC Power Line Cord	1	1
2		1089627-NLA	NLA - Cord, AC Power, 115VAC, 2 Prong Off-Board (11' 6" L)	1	1
2	K	1121086	Cord, AC Power, 115VAC, 3 Prong On-Board (6' 6-1/2" L)	1	1
3		1095507-NLA	NLA - Fastener, Hook and Loop Adhesive (2" W x 12" L)	1	1
4		1044214	Nut, Hex with Nylon Cap (1/4-20)	1	1
5	A	1112746-NLA	NLA - Strap, Cable	1	1
6		1007269	Screw, Socket Button Head (1/4-20 x 5/8")	1	1
7		1095503-NLA	NLA - Package, Tie Wrap (5-5/8" L)	10	1
8		1109470-NLA	NLA - Screw, Phillips Pan Head Tap (#8-32 x 5/8")	1	3
9		1109471-NLA	NLA - Bumper with Washer	1	3
10		1095502-NLA	NLA - Package, Tie Wrap (11-1/2" L)	10	4
11		1112747-NLA	NLA - Bushing, Relief Strain	1	1
12		1112745-NLA	NLA - Tie Wrap, Hook and Loop (8" L)	1	1
13	E	1086270-NLA	NLA - Hook Fastener with Adhesive Back (2" W x 9-1/2" L)	1	1
14	J	1106820-NLA	NLA - Controller, MKIV RII	1	1
14		1106820E-NLA	NLA - WARR RPLMT - Controller, MKIV RII	1	1
14	F	1095262-NLA	NLA - Controller, MKIV RII, Dual Power	1	1
15		1109091-NLA	NLA - Programmer, Remote	1	1
	B,C	1064404-NLA	NLA - Virtual Service Modem Kit	1	1
	B,D	1091631-NLA	NLA - Virtual Service Software Kit	1	1
	B,C	1103051-NLA	NLA - MKIV One 2 One Software Kit	1	1
	B	1095204-NLA	NLA - Cable, Virtual Service, Charger/Modem	1	1
	B	1091980-NLA	NLA - Disk, 3.5 H.D. Floppy with V.S. Software	1	1
	B	1091637-NLA	NLA - Adaptor, Null Modem	1	1
	B	1091636-NLA	NLA - Service Manual - V.S. Software Kit	1	1

# MKIV Controller, Programmer and Battery Charger (Before 6/27/03)

**NOTE: When a Customer's chair has a MKIVA Quad Pulse controller containing a 2 pin black power connector instead of a 3 pin blue connector, the service part replacement must be ordered as a "special" order. The MKIVA Quad Pulse controller for the ProntoM71 can only be originally ordered as an ON-CHAIR "special order" only.**

NOTE: A - When item 5 cable strap is ordered for chairs manufactured before 5/16/02 items 11, 12 and 13 are required as well.  
B - Not Shown  
C - Part number 1095204 is available for individual sale.  
D - Part numbers 1095204, 1091980, 1091637, and 1091636 are available for individual sale.  
E - Cut to length of a 2" square.  
F - Dual power MKIV RII controller used when a Power Tilt Only (PTO) seating system is present  
G - The 3 Amp. On-Board charger is not used when a Power Tilt Only (PTO) seating system is present  
H - The 8 Amp. Lester charger was standard on-chair when a Power Tilt Only (PTO) seating system is ordered  
I - CTE charger introduced 4/1/04. Used on Gel Cell or AGM (Absorbed Glass Mat) batteries. Serial number starts with 04A00000001. For wet cell batteries refer to the Lester 8 Amp. charger.  
J - Part # No Longer Available. See part #1106820E as a replacement.  
K - No longer available as a service part. Please use 1121086 as its replacement.  
L - Use Battery Charger part number 1123249 as a replacement.