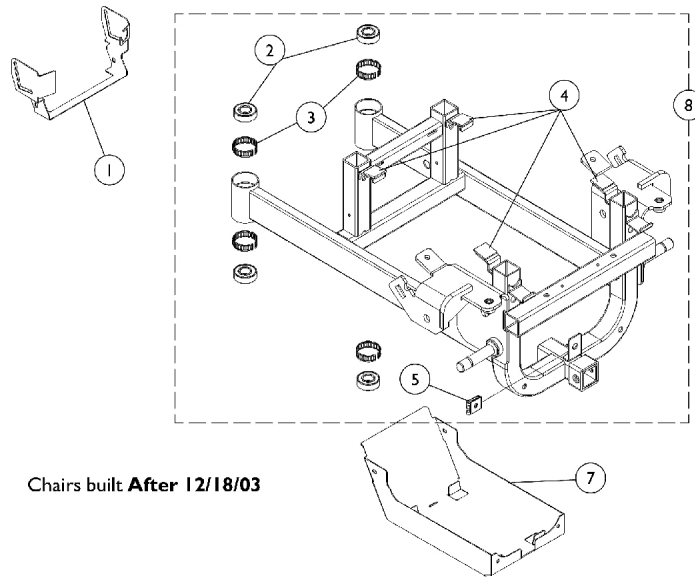
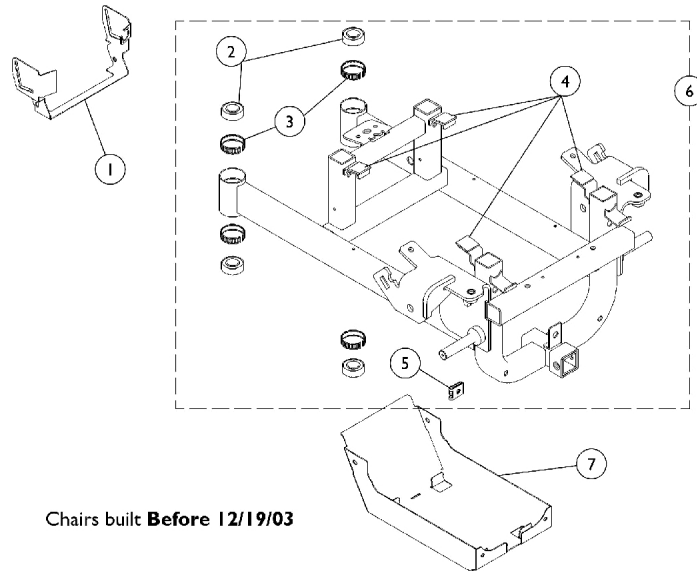


Base Frame Assembly

M91-M Base Frame Model For Powered Seating



Base Frame Assembly

M91-M Base Frame Model For Powered Seating

Item Number	Note	Part Number	Description	Quantity Per	
				Package	Assembly
1	A	1110721-NLA	NLA - Bracket, Charger Mounting, Black	1	1
2		40117X006	Bearing (5/8")	1	4
3		1110717	Ring, Tolerance	1	4
4		1070504-NLA	NLA - Fastener, Hook with Adhesive Back (1" W x 1" L)	1	4
5		1013497-NLA	NLA - Fastener, Turn, Clip-On (1/4")	1	1
6	B	1118462-NLA	NLA - Base Frame Assembly, M91-M	1	1
7	A	1110701-NLA	NLA - Tray, Battery	1	1
8	C,D	1123110-NLA	NLA - Base Frame Assembly - M91-M	1	1

NOTE: A - M91-M Base Frames do not have the Battery Tray or Charger Bracket welded to the base frame due to MedBloc, Inc. power-positioning systems design. Per MedBloc, Inc., when these items are required, they will provide their own mounting hardware.

B - Frame is NLA on chairs built Before 12/19/03. Must order new frame (1123110), rear shroud (see shroud category), battery charger (1123102), and AC charger cord (1121086).

C - Chairs built After 12/18/03. Includes Frame and items 2-5.

D - Due to design change, Frames ordered for chairs built Before 4/1/04 require screws instead of a strap to attach the Battery Charger. See battery charger category.