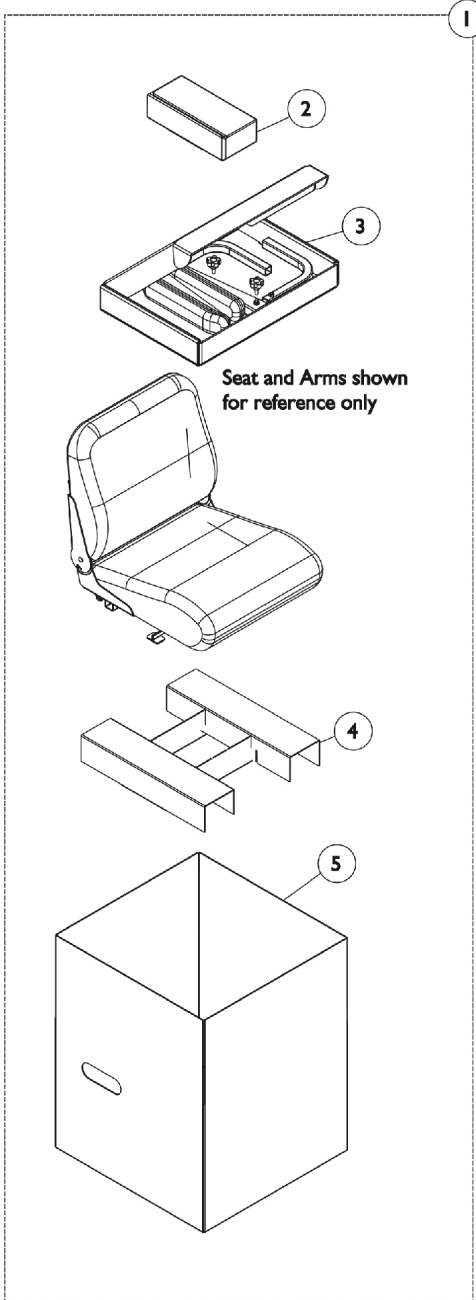
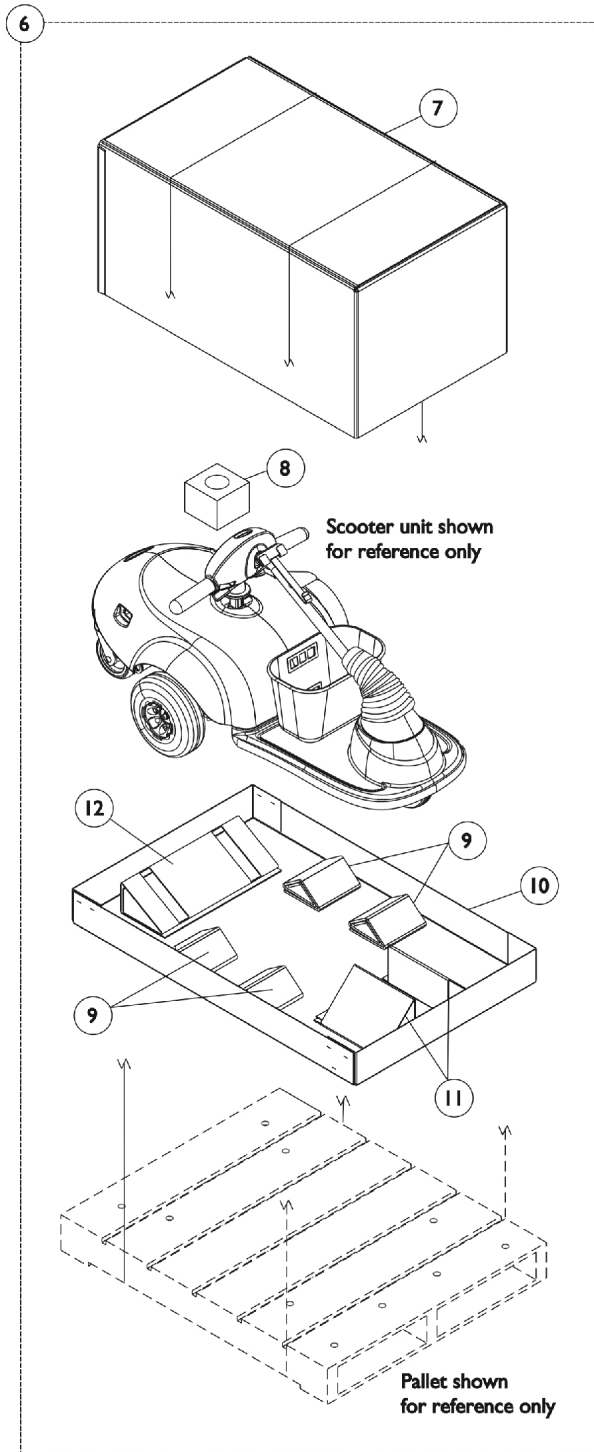


Packaging, Literature and Decals

When adjusting or replacing parts, please refer to your Owner's Manual for assistance.



Packaging for Seat Unit Shown



Packaging for Base Unit Shown

Packaging, Literature and Decals

When adjusting or replacing parts, please refer to your Owner's Manual for assistance.

Item Number	Note	Part Number	Description	Quantity Per	
				Package	Assembly
1	C	1116980-NLA	NLA - Packaging, Seat Assembly (16-18" Seat)	1	1
2			NLA - Carton, Inner	1	1
3			NLA - Carton, Inner	1	1
4			NLA - Insert, Carton	1	1
5			NLA - Carton (16 - 18" Seat)	1	1
1	C	1125395-NLA	NLA - Packaging, Seat Assembly (20"Seat)	1	1
2			NLA - Carton, Inner	1	1
3			NLA - Carton, Inner	1	1
4			NLA - Insert, Carton	1	1
5			NLA - Carton, 20" Seat	1	1
6	A,B	1120440-NLA	Kit, Packaging (Invacare 300 Scooter)	1	1
7			NLA - Carton, Shipper (Invacare 300 Scooter)	1	1
8			NLA - Sleeve, Foam - Seat Post	1	1
9			NLA - Insert, Carton	1	4
10			NLA - Carton, Shipper - Top/Bottom	1	1
11			NLA - Insert, Carton	1	1
12			NLA - Insert, Carton	1	1
			NLA - Owner's Manual	1	1
6	A,B	1125397-NLA	NLA - Kit, Packaging (Invacare 400 Scooter)	1	1
7			NLA - Carton, Shipper (Invacare 400 Scooter)	1	1
8			NLA - Carton, Shipper - Top/Bottom	1	1
9			NLA - Sleeve, Foam - Seat Post	1	1
10			NLA - Insert, Carton	1	4
11			NLA - Insert, Carton	1	1
12			NLA - Insert, Carton	1	1
			NLA - Owner's Manual	1	1
	D,E	1133440	NLA - Kit, Literature & Labels (Invacare 300 Scooter) - French/Canadian	1	1
	D,E	1133441-NLA	NLA - Kit, Literature & Labels (Invacare 400 Scooter) - French/Canadian	1	1

NOTE: A - Owner's Manual is Not Shown but a part of the Packaging Kit.
 B - Includes: Items 7 thru 12 and Owner's Manual.
 C - Includes: Items 2-5.
 D - Not Shown
 E - Includes: Weight Capacity Label, Owner's Manual, Wiring Diagram Label, Label Instruction Sheet and Pinch Warning Label