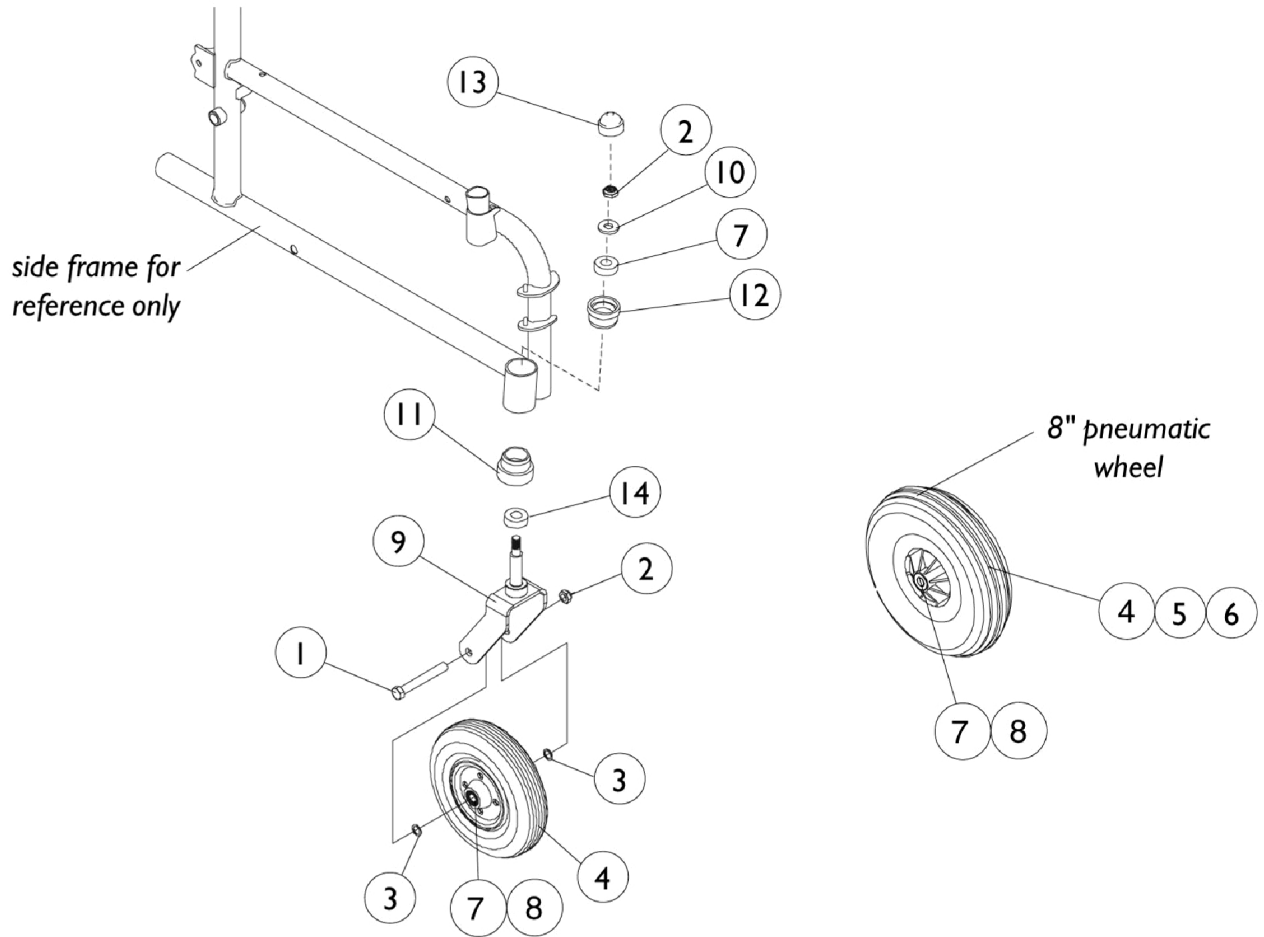


Casters & Forks



Casters & Forks

Item Number	Note	Part Number	Description	Quantity Per	
				Package	Assembly
1		57667X007-NLA	NLA - Screw, Hex Head (7/16-20 x 3-1/4")	1	1
2		7930352-NLA	NLA Locknut (7/16-20)	25	1
3		1016032	Washer, Steel (15/32 x 5/8 x 3/64")	1	2
4	B,D	1070811	Wheel Assembly, Semi-Pneumatic, Urethane, Light Grey (8" x 1-3/4")	1	1
4		1071666	Wheel Assembly, Semi-Pneumatic, Urethane, Light Grey (8" x 1-3/4") (Pair)	2	1
4	D	1002002	Wheel Assembly w/ Bearings, Pneumatic (8" x 2")	1	1
5		40176X034	Tire, Pneumatic (8" x 2")	1	1
6		1034942	Tube, Pneumatic Inner (8 x 2")	1	1
7		1006049	Bearing (7/16")	1	2
8		1020592	Spacer, Bearing (7/16 x 5/8 x 1-3/4")	1	1
9	A,C	8881079862-NL A	NLA - Fork and Stem, Color (6")	1	1
10		40014X044-NLA	NLA - Washer, Nylon (7/16 x 1 x 1/8")	1	1
11		1031829-NLA	NLA - Sleeve, Lower Bearing	1	1
12		1028257-NLA	NLA - Sleeve, Bearing, Upper	1	1
13		1001843	Cap, Head Tube, Black	1	1
13		1131189	Package, Head Tube Cap	10	1
14		40117X006	Bearing (5/8")	1	1

NOTE: A - Specify frame color 24P when ordering from Frame Finishes, Touch-Up Paints and Upholstery Color page..
 B - Chairs manufactured before 6/9/97 order in pairs (#1071666).
 C - Forks must be ordered in pairs for chairs manufactured before 10/5/98.
 D - Includes items 7 and 8