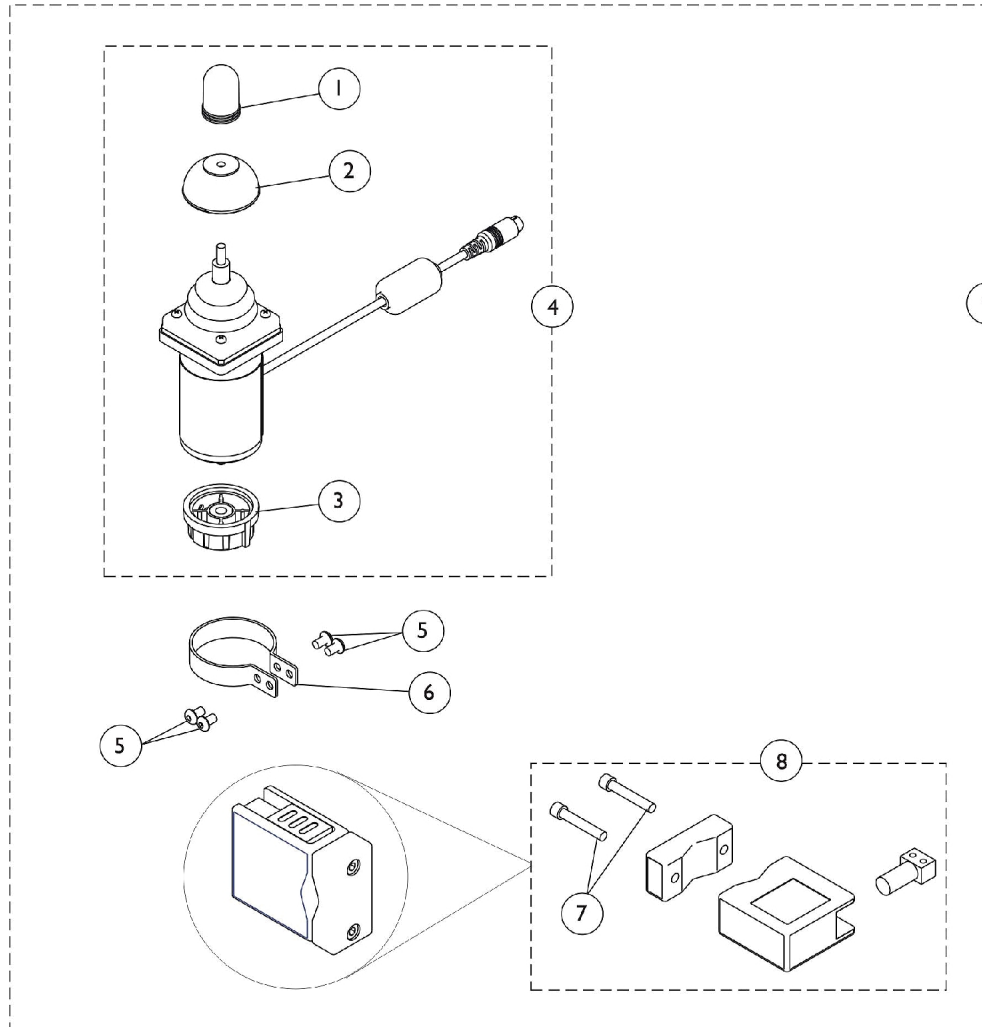


Proportional Attendant Control Joystick PACM5

Sip-N-Puff/Digital Interface (1554M5) is required when using Proportional Attendant Control Joystick (PACM5)



Proportional Attendant Control Joystick PACM5

Sip-N-Puff/Digital Interface (1554M5) is required when using Proportional Attendant Control Joystick (PACM5)

Item Number	Note	Part Number	Description	Quantity Per	
				Package	Assembly
1		1040217	Knob, Joystick Rubber, Black	1	1
2		1040218	Skirt, Joystick Rubber, Black	1	1
3		1114232	Knob, Control	1	1
4	A	1123230-NLA	NLA - Joystick, Proportional Attendant Control - MK5 (PACM5)	1	1
5		1021460	Screw, Socket Button Head (#10-32 x 5/16")	1	4
6		1025048	Clamp	1	1
7		0140406-NLA	NLA - Screw, Socket Head, Cap (5/16-18 x 1-1/2")	1	2
8		1123244	Bracket Assembly	1	1
9	B	1123274-NLA	NLA - Proportional Attendant Control Joystick w/ Bracket and Clamp -MK5 (PACM5)	1	1

NOTE: A - Includes Joystick plus items 1-3
B - Includes items 1-8