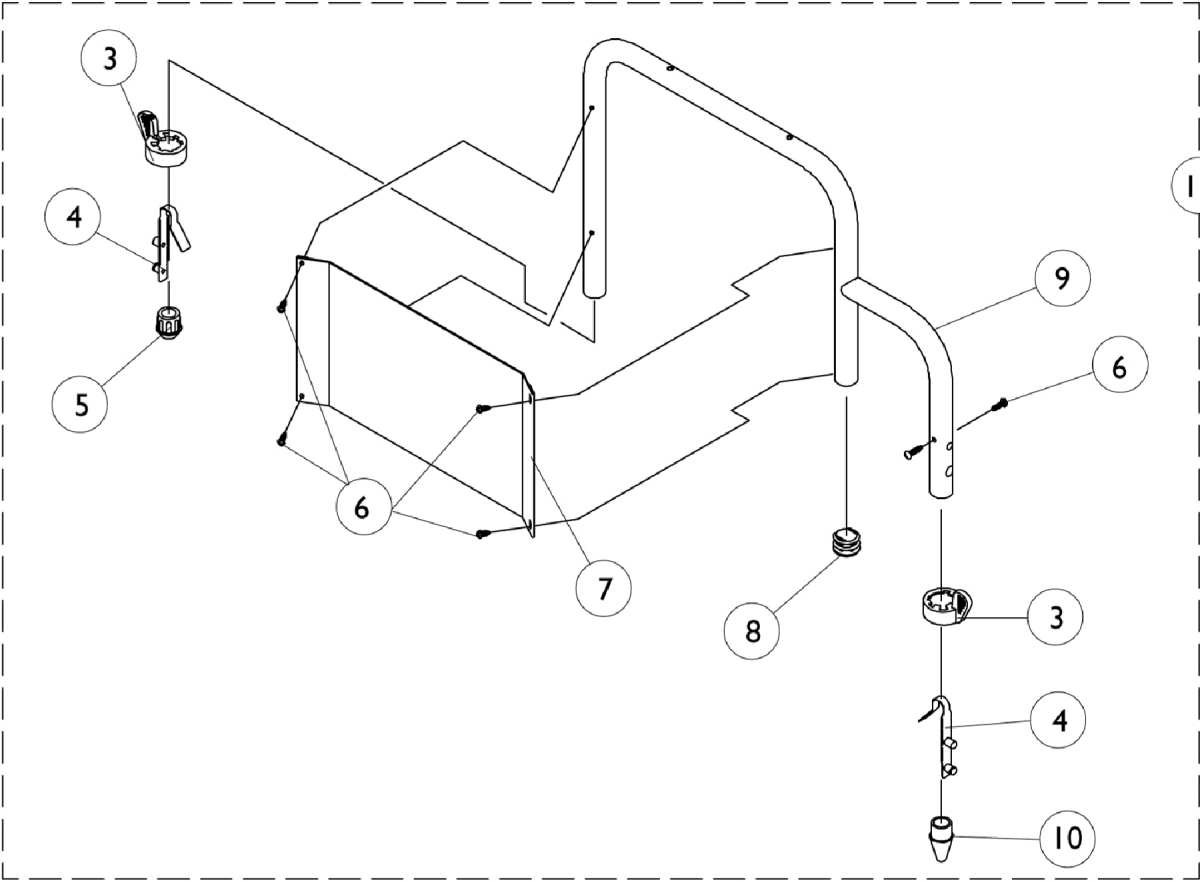
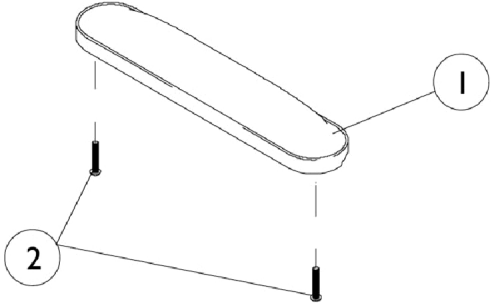


Fixed Height Arms & Hardware



Fixed Height Arms & Hardware

Item Number	Note	Part Number	Description	Quantity Per	
				Package	Assembly
1	A	8881011813-NL A	NLA - Pad, Arm, Full Length w/ Law Label	1	1
1	A	8881053569	Kit, Arm Pad w/ Screws, Full Length	2	1
1	A	8881019747-NL A	NLA - Pad, Arm - Desk Length	1	1
1	A	8881053568	Kit, Arm Pad w/ Screws, Desk Length (Pair)	2	1
2		7930361-NLA	NLA - Package, Screw, Phillips Round Head (#10-32 x 1-1/8")	25	1
3		1015450	Handle, Quad Release	1	2
4		1018225	Spring, Torsion with Button Lock	1	2
5		1036484	Plug, Armrest, Black (3/4") (18GA)	1	1
6		1025729	Screw, Phillips Pan Head Tap (#8-32 x 3/8")	1	6
7	C	1064132	Guard, Clothing, Desk Length - Right/ Left	1	1
7	C	1064131	Guard, Clothing, Full Length - Right/ Left	1	1
8		1027097	Plug Button, Black (3/4")	1	1
9	B	1061516-NLA	NLA - Tube, Arm, Desk, Color - Right	1	1
9	B	1061517-NLA	NLA - Tube, Arm, Desk, Color - Left	1	1
9	B	1061521-NLA	NLA - Tube, Arm, Full, Color - Right	1	1
9	B	1061586-NLA	NLA - Tube, Arm, Full, Color - Left	1	1
10		1020060	Plug, Arm	1	1
11	B,C	8881061519-NL A	NLA - Arm Base, Desk, Color - Right	1	1
11	B,C	8881061520-NL A	NLA - Arm Base, Desk, Color - Left	1	1
11	B,C	8881061523-NL A	NLA - Arm Base, Full, Color - Right	1	1
11	B,C	8881061524-NL A	NLA - Arm Base, Full, Color - Left	1	1

NOTE: A - Specify upholstery color when ordering.
 B - Specify frame color from Frame Finishes, Touch-Up Paints and Upholstery Color page.
 C - Stainless steel clothing guards were replaced w/ABS plastic. Chairs manufactured before 7/30/97 should be ordered in pairs to match.