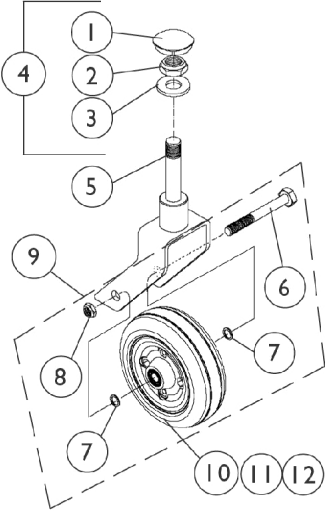
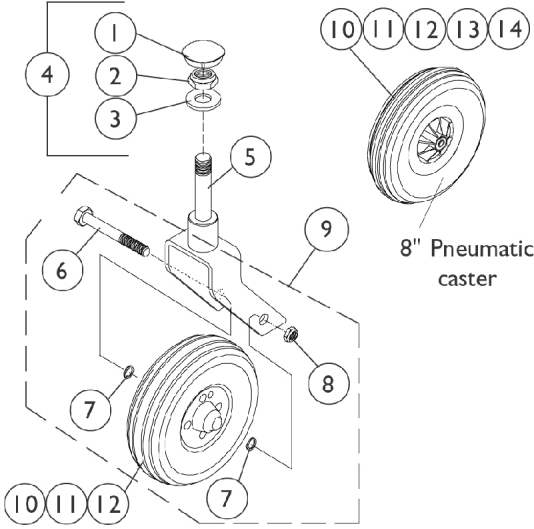


# Casters, Forks and Hardware



6" Caster Assembly



8" Caster Assembly

8" Pneumatic  
caster

## Casters, Forks and Hardware

Item Number	Note	Part Number	Description	Quantity Per	
				Package	Assembly
1		1056739	Plug Button, Head Tube, Black	1	1
2		1028550	Locknut (5/8-18)	1	1
3		1041444	Washer, Nylon (5/8 x 1-5/16 x 1/8")	1	1
4	A	1057949	Hardware, Fork Stem	1	1
5	E	8881071460-NL A	NLA - Fork and Stem (6" Caster)	1	1
5	E	1058556-NLA	NLA - Fork and Stem (8" Caster)	1	2
5	F	1124830-NLA	NLA - Fork and Stem (8" Caster)	1	2
6		1025726	Screw, Hex Head (7/16-20 x 3-1/4")	1	1
7		1025724	Washer, Steel (15/32 x 5/8 x 3/64")	1	2
8		1025734	Locknut (7/16-20)	1	1
9	B	1042489	Hardware, Caster Axle	1	2
10	C	1072014-NLA	NLA - Wheel Assembly, Semi-Pneumatic, Urethane (6" x 2")	1	1
10	D	1115179	Wheel Assembly, Semi-Pneumatic, Urethane, Deep Profile, Grey Tire/Black Hub (6" x 2")	1	1
10	D	1122066	Wheel Assembly, Semi-Pneumatic, Urethane, Deep Profile, Grey Tire/Black Hub (6" x 2") (Pair)	2	1
10		1070811	Wheel Assembly, Semi-Pneumatic, Urethane, Light Grey (8" x 1-3/4")	1	1
10		1002002	Wheel Assembly w/ Bearings, Pneumatic (8" x 2")	1	1
11		1006049	Bearing (7/16")	1	2
12		1020592	Spacer, Bearing (7/16 x 5/8 x 1-3/4")	1	1
13		40176X034	Tire, Pneumatic (8" x 2")	1	1
14		1034942	Tube, Pneumatic Inner (8 x 2")	1	1

NOTE: A - Includes items 1-3  
 B - Includes items 6-8 to accommodate 1 side.  
 C - Service part No Longer Available 8/15/03. Due to product improvement, order (pair) part number 1122066 dated after 8/14/03 so each side matches. The deep profile caster has 2 tread grooves w/ round corners instead of 4 tread grooves w/ square corners.  
 D - For chairs made after 8/14/03  
 E - 17-3/4" - 19-3/4" Seat to Floor chairs  
 F - 21" Seat to Floor chairs