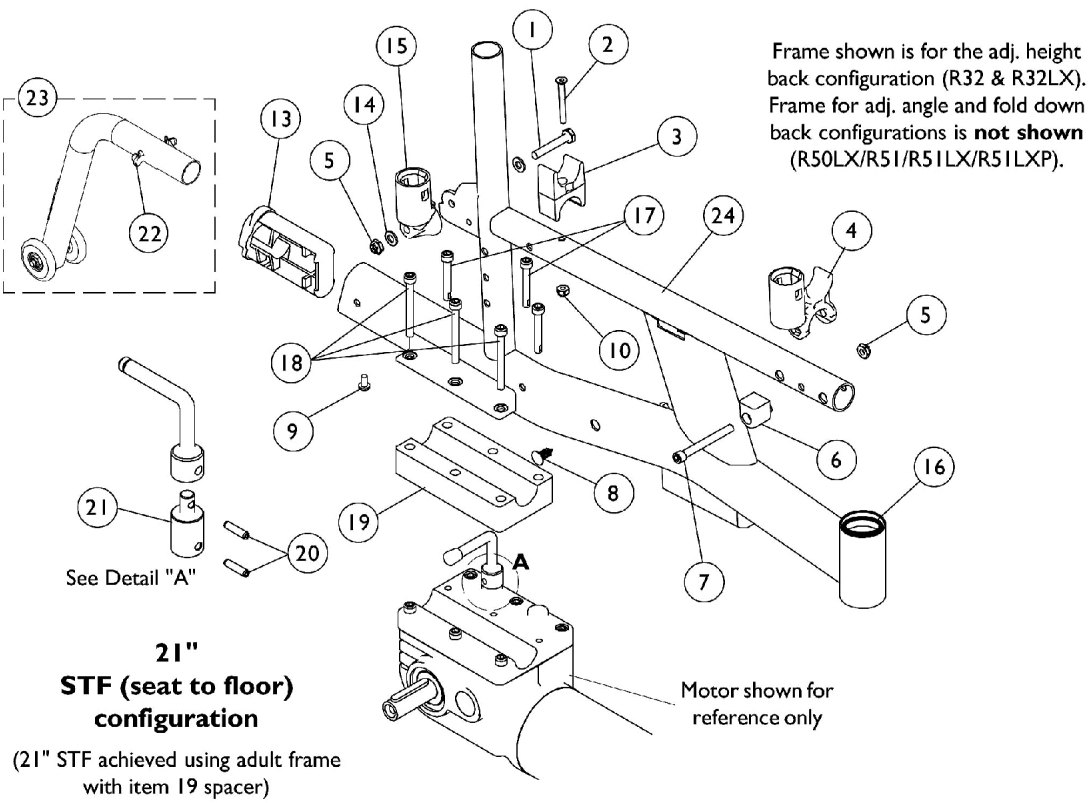
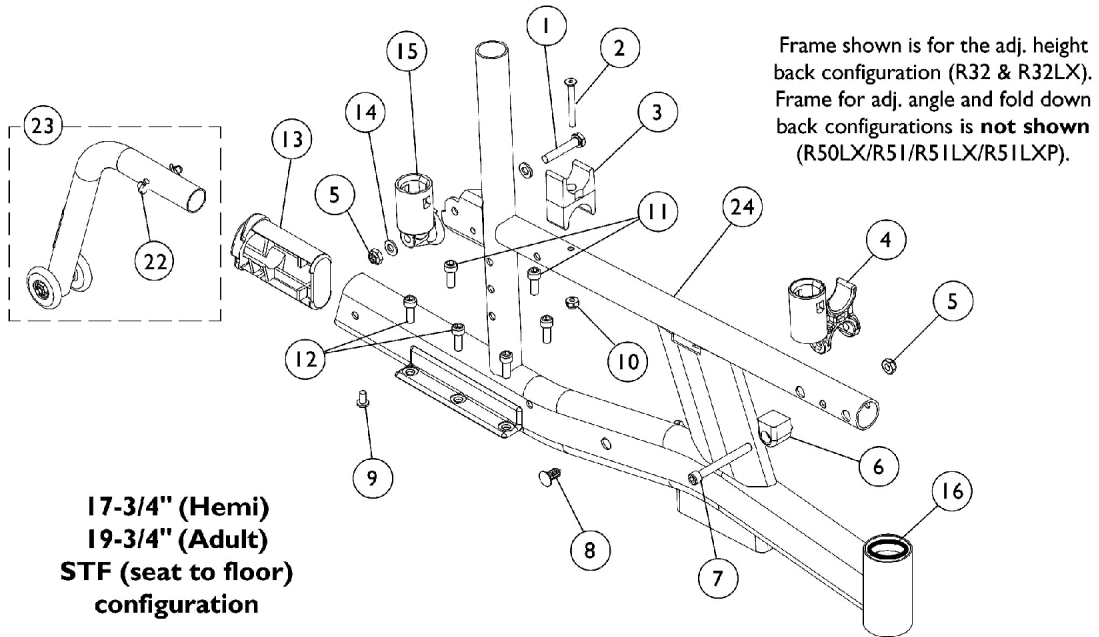


# Frames, Frame Hardware & Anti-Tippers



## Frames, Frame Hardware & Anti-Tippers

Item Number	Note	Part Number	Description	Quantity Per	
				Package	Assembly
1		1055298	Screw, Hex Head (1/4-28 x 1-5/8")	1	2
2		1085134-NLA	NLA - Screw, Socket Flat Head (#10-32 x 1-5/8")	1	2
3		1007541	Clamp, Seat	1	2
4		1036485	Socket, Arm	1	2
5		1025765	Locknut (1/4-28)	1	2
6		1106315-NLA	NLA - Brace, Arm Socket	1	2
7		1119977	Screw, Socket Head (1/4-20 x 2-1/4")	1	2
8		1058520-NLA	NLA - Fastener, Panel Snap-In	1	2
9		1022597	Screw, Phillips Pan Head Tap (#10-32 x 3/8")	1	2
10		1025731	Locknut (#10-32)	1	2
11		1071505	Screw, Socket w/ Patch (M6 x 1 x 20mm)	1	3
12		1080712-NLA	NLA - Screw, Socket Head (M6 x 1 x 30mm)	1	3
13		1106283	Plug, Anti-tip	1	2
14		1026907	Washer (1/4 x 1/2 x 1/16")	1	4
15		1056406	Cup, Socket Pivot	1	2
	B,D	1106320-NLA	NLA - Hardware, Frame, Side, 17-3/4"-19-3/4" Seat to Floor (Pair)	2	1
16		40117X006	Bearing (5/8")	1	2
17		1124839-NLA	NLA - Screw, Socket Head (M6 x 1 x 40mm)	1	6
18		1124840-NLA	NLA - Screw, Socket Head (M6 x 1 x 55mm)	1	6
19		1124829-NLA	NLA - Spacer, Motor, Black	1	2
20		1124842-NLA	NLA - Pin, Roll (4mm x 16mm)	1	4
21		1124833-NLA	NLA - Extension, Motor Lock	1	2
	A,D	1124828-NLA	NLA - Hardware, Frame, Side, 21" Seat to Floor (Pair)	2	1
22		1025763	Spring, Torsion with Double Button	1	2
23	F	1106298-NLA	NLA - Anti-Tipper, Rear	1	1
23	G	1124838-NLA	NLA - Anti-Tipper, Rear	1	1
24		See Chart	#24 Side Frames	1	1
	E	1025736	Locknut (1/4-20)	1	1
	E	1018739	Washer (1/4 x 5/8 x 3/32")	1	1
	E	1037610	Screw, Hex Head (1/4-20 x 1-5/8")	1	1

NOTE: A - Includes items 1-10, 13-15, & 17-21  
 B - Includes items 1-11, 13-15  
 D - Not Shown.  
 E - Wheel Lock hardware for replacement side frame built before 2/15/03.  
 F - 17-3/4"-19-3/4" Seat to Floor configuration  
 G - 21" Seat to Floor configuration

# Frames, Frame Hardware & Anti-Tippers

## #24 Side Frames

Frame Style	R32	R32LX	R50LX	R5I	R51LX	R51LXP
Adult - Right See Note(s) C	8881107659-NL A See Note(s) A, C	8881107659-NL A See Note(s) C, A	8881107663-NL A See Note(s) C, A	8881107663-NL A See Note(s) A, C	8881107663-NL A See Note(s) A, C	8881107663-NL A See Note(s) A, C
Adult - Left Before 4/7/03	8881107660-NL A See Note(s) A	8881107660-NL A See Note(s) A	8881107664-NL A See Note(s) A	8881107664-NL A See Note(s) A	8881107664-NL A See Note(s) A	8881107664-NL A See Note(s) A
Adult - Left After 4/6/03	8881119134-NL A See Note(s) B, A	8881119134-NL A See Note(s) B, A	8881119136-NL A See Note(s) A, B	8881119136-NL A See Note(s) B, A	8881119136-NL A See Note(s) A, B	8881119136-NL A See Note(s) B, A
Hemi - Right See Note(s) C	8881107657-NL A See Note(s) C, A	8881107657-NL A See Note(s) C, A	8881107661-NL A See Note(s) A, C	8881107661-NL A See Note(s) A, C	8881107661-NL A See Note(s) C, A	8881107661-NL A See Note(s) A, C
Hemi - Left Before 4/7/03	8881107658-NL A See Note(s) A	8881107658-NL A See Note(s) A	8881107662-NL A See Note(s) A	8881107662-NL A See Note(s) A	8881107662-NL A See Note(s) A	8881107662-NL A See Note(s) A
Hemi - Left After 4/6/03	8881119133-NL A See Note(s) A, B	8881119133-NL A See Note(s) A, B	8881119135-NL A See Note(s) A, B	8881119135-NL A See Note(s) B, A	8881119135-NL A See Note(s) A, B	8881119135-NL A See Note(s) A, B
NOTE:	A - Specify frame finish when ordering, see page titled "Frame Finishes". B - Threaded inserts removed from left side frame that mounted the MKIV controller. MK5 controller mounts differently and the threaded inserts are no longer used C - Right Side Frames were Not affected by the MK5 change. Right Frame part nos. shown are applicable regardless of when chair was built.					