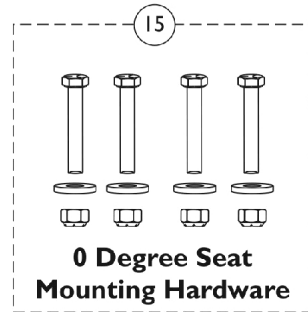
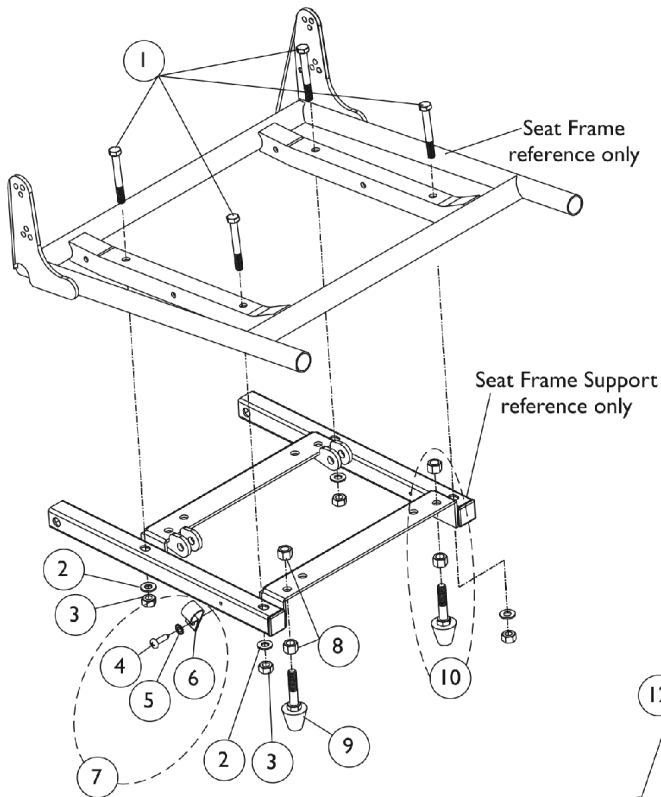
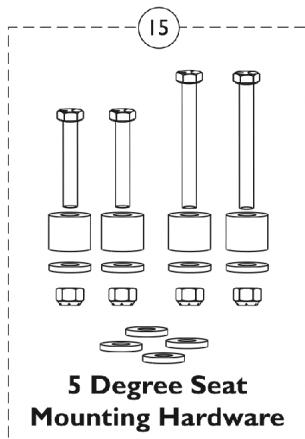
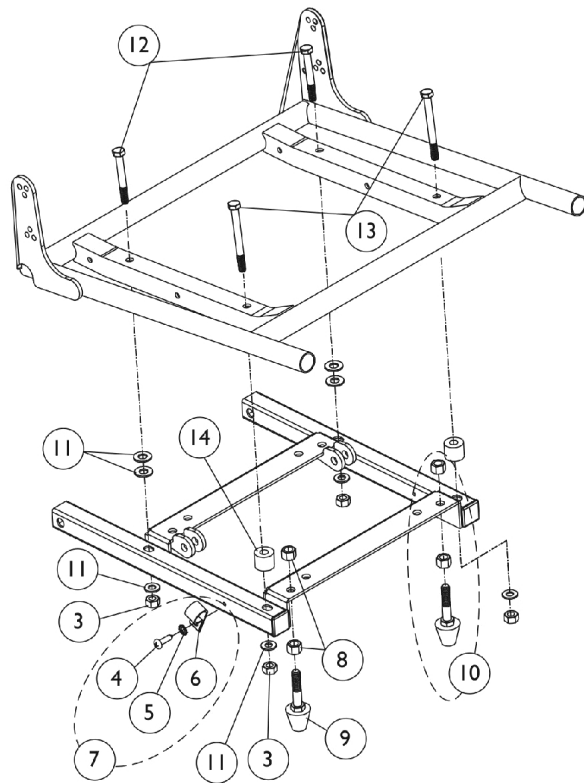


# ASBA Seat Mounting Hardware



**0 Degree Seat Mounting Hardware**



**5 Degree Seat Mounting Hardware**

## ASBA Seat Mounting Hardware

Item Number	Note	Part Number	Description	Quantity Per	
				Package	Assembly
1		1042486	Screw, Hex Head (5/16-18 x 2-3/4")	1	4
2		1025704	Washer, Flat (5/16 x 5/8 x 1/16")	1	4
3		1026158	Locknut (5/16-18)	1	4
7	A,E	1106544-NLA	NLA - Kit, Switch Clip with Mounting Hardware	1	1
4			Screw, Phillips Pan Head Tap (#10-16 x 3/4")	1	1
5			Lockwasher, External Tooth (#10)	1	1
6			NLA - Bracket, Cable/Wire Mounting, Black	1	1
8		1028486	Locknut, Low Profile (3/8-16)	1	4
9		1117353-NLA	NLA - Bumper Assembly	1	2
10	B	1111007-NLA	NLA - Bumper with Mounting Hardware (Pair)	2	1
11		1025704	Washer, Flat (5/16 x 5/8 x 1/16")	1	8
12		1042486	Screw, Hex Head (5/16-18 x 2-3/4")	1	2
13		1070397-NLA	NLA - Screw, Hex Head (5/16-18 x 3-1/4")	1	2
14		1087640-NLA	NLA - Spacer (3/8 x 7/8 x 11/16")	1	2
15	C	1107307-NLA	NLA - Kit, 0 Degree 16-22" Wide ASBA Seat Mounting Hardware	1	1
1			Screw, Hex Head (5/16-18 x 2-3/4")	1	4
2			Washer, Flat (5/16 x 5/8 x 1/16")	1	4
3			Locknut (5/16-18)	1	4
15	D	1087784-NLA	NLA - Kit, 5 Degree 16-22" Wide ASBA Seat Mounting Hardware	1	1
3			Locknut (5/16-18)	1	4
11			Washer, Flat (5/16 x 5/8 x 1/16")	1	8
12			Screw, Hex Head (5/16-18 x 2-3/4")	1	2
13			NLA - Screw, Hex Head (5/16-18 x 3-1/4")	1	2
14			NLA - Spacer (3/8 x 7/8 x 11/16")	1	2
NOTE: A - Includes items 4-6 B - Includes items 8 and 9 C - Includes items 1-3 D - Includes items 3 and 11-14 E - When a MK5 TAC is used, item quantity per assembly is 2					