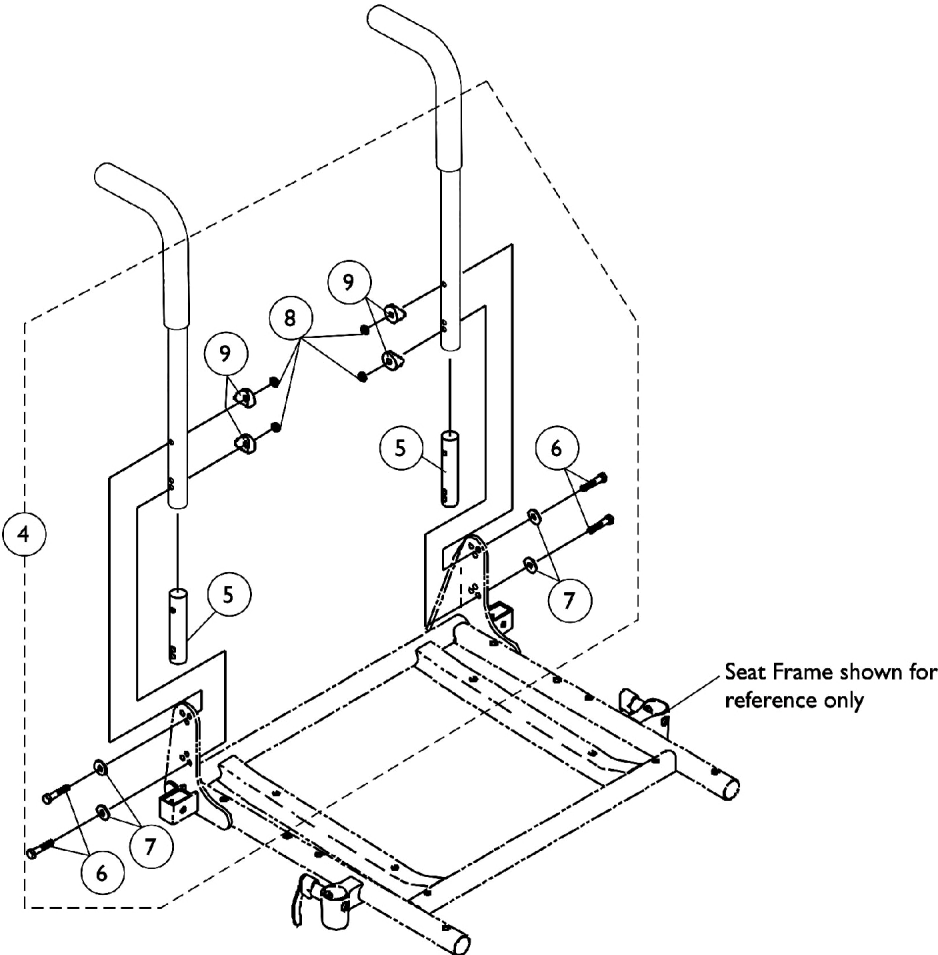
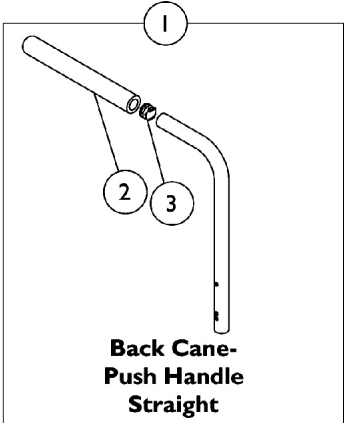


# Back Canes and Attaching Hardware



## Back Canes and Attaching Hardware

Item Number	Note	Part Number	Description	Quantity Per	
				Package	Assembly
1		See Chart	#1 Back Cane Assemblies	1	2
2		1135506	Package, Foam Hand Grip (9" L)	10	1
3		1130582	Package, Plug Button, Black (7/8")	10	1
4	A	1106554-NLA	NLA - Kit, Back Cane Attaching Hardware	2	1
5			Insert, Non-Threaded Back Cane (For Back Heights 20" and Lower)	1	2
6			Screw, Hex Head (1/4-20 x 1-5/8")	1	4
7			Washer (1/4 x 23/32 x 1/16")	1	4
8			Locknut (1/4-20)	1	4
9			Spacer, Coved (1/4 x 11/16 x 1/2")	1	4
4	B	1106555-NLA	NLA - Kit, Back Cane Attaching Hardware	2	1
5			NLA - Insert, Non-Threaded Back Cane (For Back Heights 21" and Higher)	1	2
6			Screw, Hex Head (1/4-20 x 1-5/8")	1	4
7			Washer (1/4 x 23/32 x 1/16")	1	4
8			Locknut (1/4-20)	1	4
9			Spacer, Coved (1/4 x 11/16 x 1/2")	1	4
NOTE: A - Includes items 5-9 and used for 16-20" high back canes B - Includes items 5-9 and used for 21-24" high back canes					

### #1 Back Cane Assemblies

Back Height	Part Number
16"	1048558
17"	1048559
18"	1048560
19"	1048561
20"-24"	1048562
NOTE: Back Cane Assemblies include Foam Grips and Plug Buttons where shown	