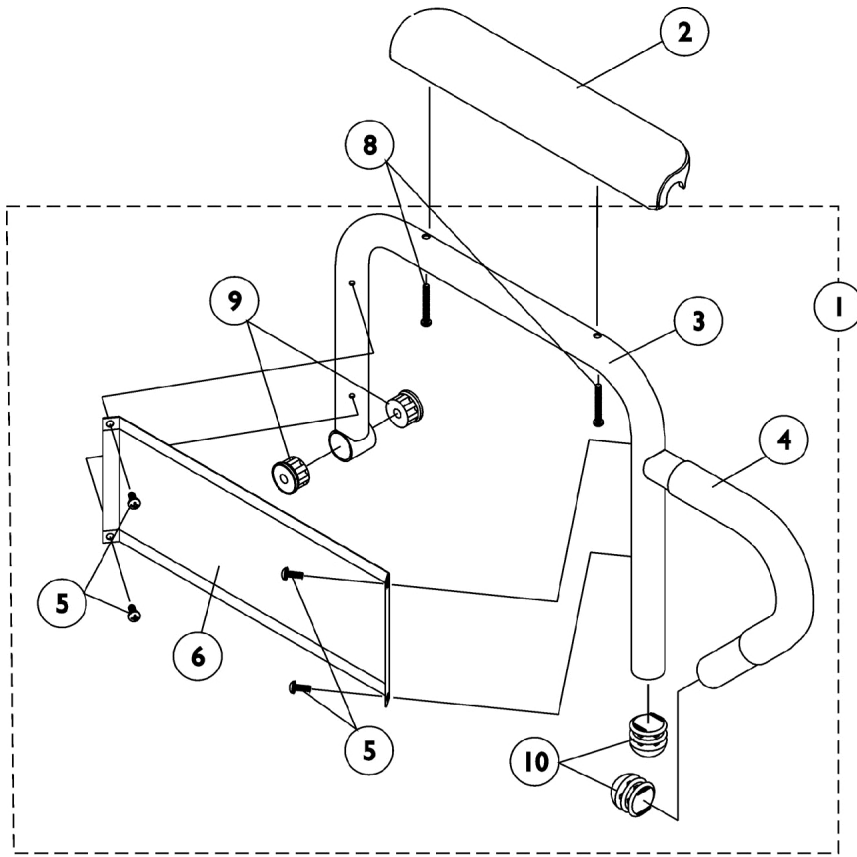
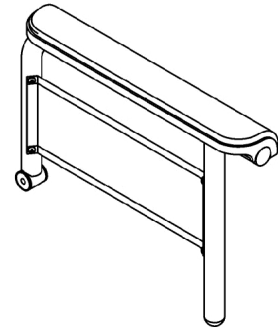


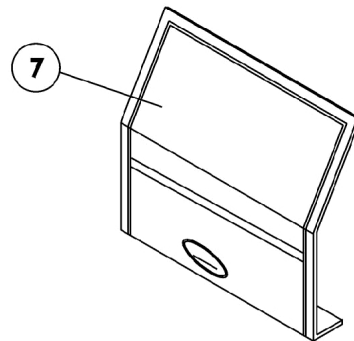
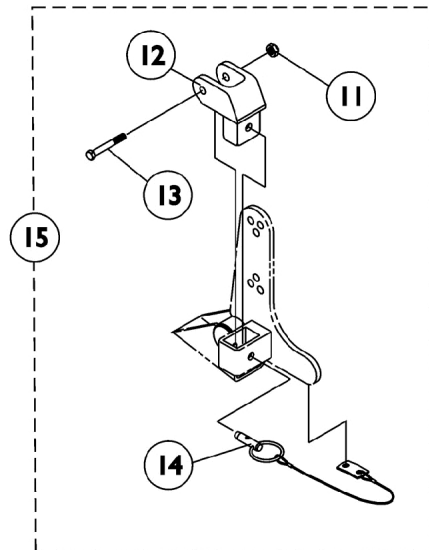
Arms - Fixed Height



Desk Length Fixed Height Arm



Full Length Fixed Height Arm



Arms - Fixed Height

Item Number	Note	Part Number	Description	Quantity Per	
				Package	Assembly
1	A	1068566-NLA	NLA - Arm Assembly, Desk Length, Black - Right (16-19"D)	1	1
1	A	1068567-NLA	NLA - Arm Assembly, Desk Length, Black - Left (16-19"D)	1	1
1	A	1068540-NLA	NLA - Arm Assembly, Desk Length, Black - Right (Long) (20" and Deeper)	1	1
1	A	1068541-NLA	NLA - Arm Assembly, Desk Length, Black - Left (Long) (20" and Deeper)	1	1
1	A	1068559-NLA	NLA - Arm Assembly, Full Length, Black - Right (16-19" D)	1	1
1	A	1068560-NLA	NLA - Arm Assembly, Full Length, Black - Left (16-19" D)	1	1
1	A	1068528-NLA	NLA - Arm Assembly, Full Length, Black - Right (Long) (20" and Deeper)	1	1
1	A	1068529-NLA	NLA - Arm Assembly, Full Length, Black - Left (Long) (20" and Deeper)	1	1
2	C	1117328	Kit, Arm Pad w/ Screws, Full Length, Urethane Waterfall, Black (13" L x 2-5/8" W)	1	1
2		1110818	Kit, Arm Pad w/ Screws, Full Length, Urethane Waterfall, Black (13" L x 2-5/8" W) (Pair)	2	1
2	C	1117327	Kit, Arm Pad w/ Screws, Desk Length, Urethane Waterfall, Black (9" L x 2-5/8" W)	1	1
2		1110817	Kit, Arm Pad w/ Screws, Desk Length, Urethane Waterfall, Black (9" L x 2-5/8" W) (Pair)	2	1
3		1068564	Tube, Arm, Desk Length, Black - Right (16-19" D)	1	1
3		1068565-NLA	NLA - Tube, Arm, Desk Length, Black - Left (16-19" D)	1	1
3		1068414-NLA	NLA - Tube, Arm, Desk Length, Long, Black - Right (20" and Deeper)	1	1
3		1068415-NLA	NLA - Tube, Arm, Desk Length, Long, Black - Left (20" and Deeper)	1	1
3		1068490	Tube, Arm, Full Length, Black - Right (16-19"D)	1	1
3		1068491-NLA	NLA - Tube, Arm, Full Length, Black - Left (16 - 19"D)	1	1
3		1068473-NLA	NLA - Tube, Arm, Full Length, Long, Black - Right (20" and Deeper)	1	1
3		1068474-NLA	NLA - Tube, Arm, Full Length, Long, Black - Left (20" and Deeper)	1	1
4		1032244	Grip, Foam Hand (9" L)	1	1
5		1025729	Screw, Phillips Pan Head Tap (#8-32 x 3/8")	1	4
6		1035472-NLA	NLA - Guard, Clothing, Desk Length	1	1
6		1044572-NLA	NLA - Guard, Clothing, Full Length (16 - 19" D)	1	1
6		1044005-NLA	NLA - Guard, Clothing, Full Length (20" and Deeper)	1	1
7		1035065	Cover, Clothing Guard w/ Pocket, FXDESK & ADJFULL/ADJDESK	1	1
7		1044588	Cover, Clothing Guard with Pocket Fixed Height Full Length (20" and Deeper)	1	1
8		1094270-NLA	NLA - Package, Screw, Phillips Pan Head (#10-32 x 1-1/4")	2	1

Arms - Fixed Height

Item Number	Note	Part Number	Description	Quantity Per	
				Package	Assembly
9		1065936	Plug, Pivot	1	2
10		1067734	Plug Button, Black (5/8")	1	2
11		1025195	Locknut (1/4-20)	1	1
12		1068025	Clevis, Pivot	1	1
13		1019590	Screw, Socket Button Head (1/4-20 x 1-5/8")	1	1
14		1068039	Pin, Pull	1	1
15	B	1068488	Kit, Swingaway Armrest Mounting Hardware	1	1
NOTE: A - Includes items 3-6, 8-10 B - Includes items 11-14 C - After 7/9/07 Invacare recommends ordering armpads in pairs to assure uniform appearance on chair					