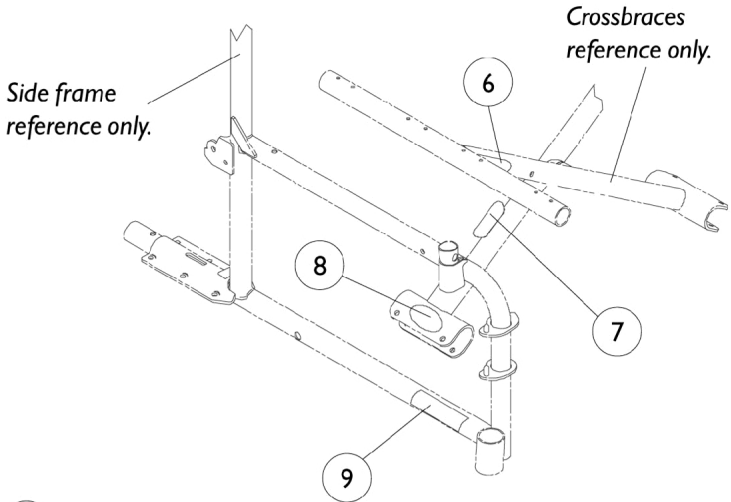
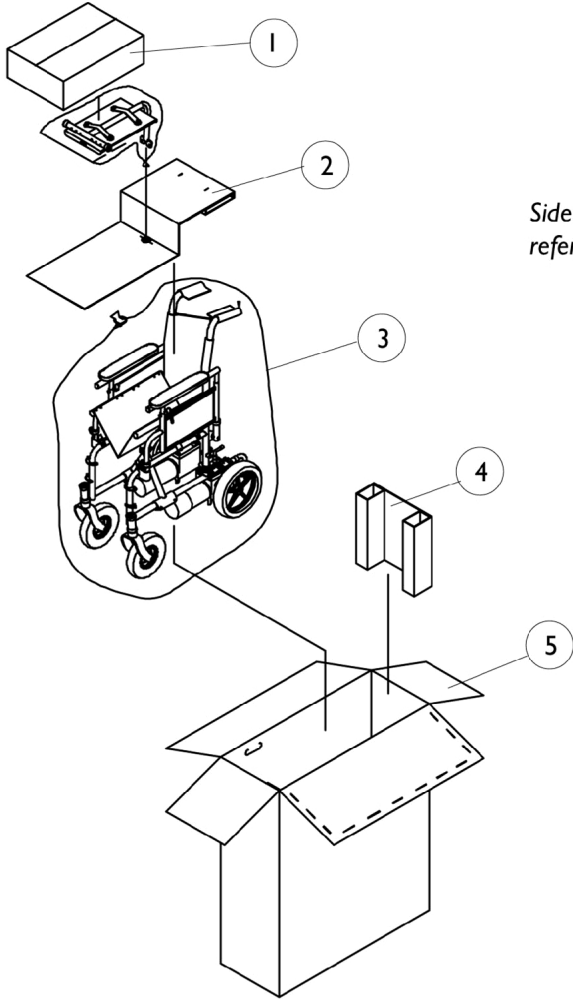


Packaging - Literature - Decals



Packaging - Literature - Decals

Item Number	Note	Part Number	Description	Quantity Per	
				Package	Assembly
1		40131X011-NLA	NLA - Carton, Front Riggings	1	1
2		1023166-NLA	NLA - Insert	1	1
3		1015592	Bag, Poly (72" L x 35" W x 19" D)	1	1
4		1023165-NLA	NLA - Insert, Carton	1	1
5		1074355-NLA	NLA - Carton	1	1
6		1035900	Decal, Transportation	1	1
7		60103X013-NLA	NLA - Plate, Name, Patent Numbers	1	1
8	B	1090146-NLA	NLA - Decal, Invacare 3-D Logo (1-19/32" L)	1	2
9	B	1095219-NLA	NLA - Decal, P7E	1	2
	A	1065145-NLA	NLA - Decal, Virtual Service	1	2
	A	1095273-NLA	NLA - Instruction Manual, MKIV RII LP	1	1
	A	1061807-NLA	NLA - Owner's Manual	1	1

NOTE: A - Not Shown
 B - Invacare logo added and model decal changed 1/11/2000. When replacing frames or crossbraces before 1/11/2000 order decals in pairs to match.